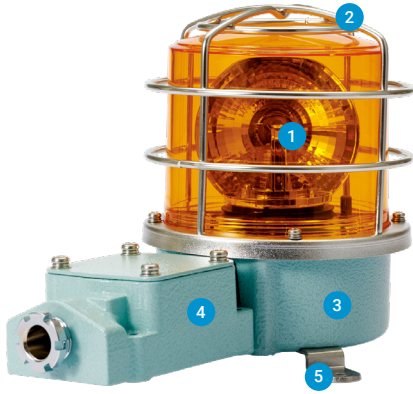


SH1 / SH2 Series

Superior durability with fully enclosed structure and corrosion resistance, suitable for vessels and heavy industry applications



PRODUCT SPECIFICATION

SH1 Series | SH2 Series

Materials Lens-PC, Housing-Al, STS316L(SH1-SUS)

Protection cage-ST316L, Reflector-PC, Reflector for bulb type-Heat resistant ABS, Bracket-ST316L

Protection rating IP66

Housing standard color MUNSELL No. 7.5BG 7/2

Cable entry 1/2" PF

- Aluminum housing and polycarbonate lens material provides excellent impact resistance under seismic conditions
- STS housing provides superior durability and corrosion resistance(SH1-SUS)
- Excellent hermetic structure that blocks water and dust
- Can select a variety of light sources (Bulb, LED, and xenon) for your application needs and environmental conditions
- Terminals located inside the terminal box or product

1 Lenses

- Utilizes a strong and durable polycarbonate material with excellent shock and vibration resistance
- The lens surface has two types depending on the light source function-Light diffusion type and light transmission type



Light transmission type

LED revolving type
Bulb revolving type
SH()LR | SH()



Light diffusion type

LED steady/flashing type
xenon lamp strobe type
SH()L | SH()S

2 Protection cage

- The durable protection cage is made of corrosion resistant stainless steel that prevents damage to the lens from external contact
- Materials: STS316L

3 Housing

- The special aluminum body housing features superior durability
- STS housing provides superior durability and corrosion resistance(SH1-SUS)
- The housing is corrosion resistant from a special anodized surface treatment process
- Materials: Al, STS316L(SH1-SUS)

4 Terminal box

- Terminal box is located on the side of housing for easy wiring
- Materials: Al

5 Brackets

- Stainless steel mounting bracket is conveniently attached to the outer surface of the product
- Materials: STS316L

A Variety of Selectable Light Source and Function Combinations

You can select from a variety of light sources for your work environment, condition, and purpose. Basic specifications are as follows.

- LED revolving type
- LED steady/flashing type
- Xenon lamp strobe type
- Bulb revolving type

Customization

- LED Strobe type
- LED revolving type

Product Categories



Standard type

- Protection cage or terminal box not attached
- Terminals located inside the housing
- Use in environments that has low probability of damage to the lens due to external forces
- SH1/SH2 Series is available in this model



Built-in terminal box

- Equipped with a terminal box for easy wiring
- Use in environments that has low probability of damage to the lens due to external forces
- SH1T()/ SH2T() is available in this model



Protection cage mounted type

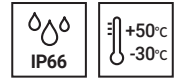
- Equipped with a Protection cage
- Terminals located inside the housing
- Use in environments that has low probability of damage to the lens due to external forces
- SH1()P/SH2()P is available in this model



Terminal box and protection cage mounted type

- Equipped with a protection cage and a terminal box
- Terminal box enables easy wiring
- Damage to the lens from external forces can be prevented with protection cage
- SH1T()P/ SH2T()P is available in this model

SH1S / SH2S



PRODUCT SPECIFICATION

SH1S | SH2S

Materials Lens-PC, Housing-Al, STS316L(SH1S-SUS)
 Protection cage-ST316L, Bracket-ST316L
Ambient operating temperature -30°C to +50°C
Protection rating IP66
Housing standard color MUNSELL No. 7.5BG 7/2
Cable entry 1/2" PF
Flashing rate 60-80 flashes/min

- Convenient lamp change with connector type connection structure
- STS housing provides superior durability and corrosion resistance(SH1S-SUS, SH1SP-SUS)



SH1S



SH2TS

SH1S Xenon Strobe Signal Beacons

Model number	Voltage	Current	Xenon lamp			Certificates	Color
			Spec	Standard	Parts no		
SH1LR	Standard type	DC12V	Max.	EUB0641	48	 	<ul style="list-style-type: none"> ● R-Red ● A-Amber ● G-Green ● B-Blue
SH1LR-ST5	Standard type	-24V	1.3A				
SH1LRP	Protection cage type	AC110V	160mA	-550V	U type		
SH1LRP-ST5	Protection cage type						
SH1TLR	Terminal box type	AC220V	140mA				
SH1TLRP	Protection cage and terminal box type						

※ CE compliant: DC12V-24V, CCS(SH1S / SH1SP only)

SH2S Xenon Strobe Signal Beacons

Model number	Voltage	Current	Xenon lamp			Certificates	Color
			Spec	Standard	Parts no		
SH2S	Standard type	DC12V-24V	Max.1.3A	EUB0641	48		<ul style="list-style-type: none"> ● R-Red ● A-Amber ● G-Green ● B-Blue
SH2SP	Protection cage type	AC110V	160mA				
SH2TS	Terminal box type			AC220V	140mA		
SH2TSP	Protection cage and terminal box type						

※ CE compliant: DC12V-24V

SH1S | SH2S Xenon Strobe Signal Beacons Specification Category and Products

Weight Chart

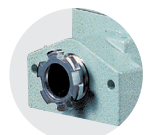
Type	SH1S Series		SH2S Series	
Lens diameter	Φ125mm		Φ150mm	
Standard		SH1S (1.11kg)		SH2S (1.19kg)
		SH1S-SUS (1.55kg)		
Built-in protection cage		SH1SP (1.36kg)		SH2SP (1.48kg)
		SH1SP-SUS (1.80kg)		
Built-in terminal box		SH1TS (1.57kg)		SH2TS (1.65kg)
Built-in protection cage & Terminal box		SH1TSP (1.82kg)		SH2TSP (1.94kg)

※ Product weight is based on AC type.

Ordering Specification

SH1S	-	110	-	R	-	SUS
[Model number]		[Voltage]		[Color]		[Housing materials]
SH1S / SH1SP		12/24-DC12V-24V 110-AC110V 220-AC220V		<ul style="list-style-type: none"> ● R-Red ● A-Amber ● G-Green ● B-Blue 		None - Al SUS - STS316L
SH1TS / SH1TSP SH2S / SH2SP SH2TS / SH2TSP						

SH1S /SH2S models are equipped with flexible connector, and SH1TS /SH2TS models are equipped with 15C nipple at cable entry.



Flexible connector

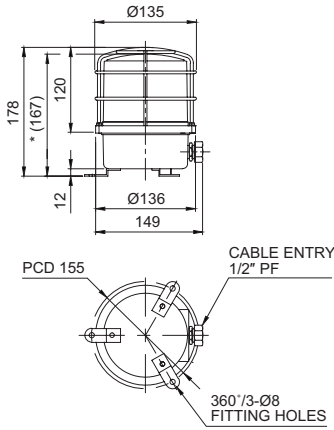
15C nipple

SH1 / SH2 Series

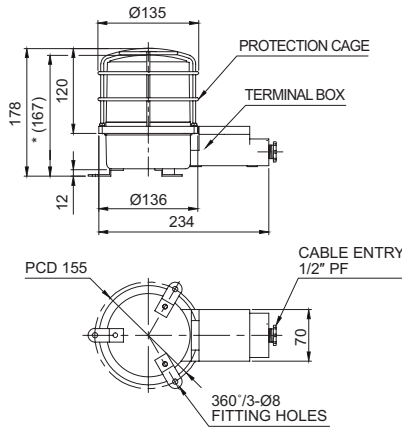
Technical Diagram

Units: mm

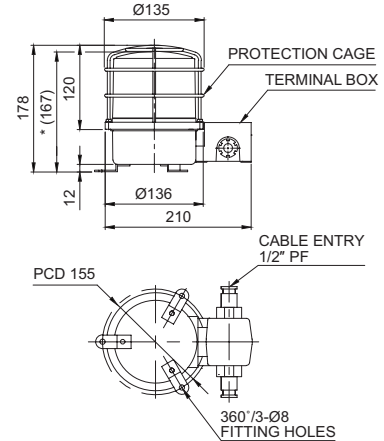
·SH1LRP(-SUS) / SH1LP(-SUS) / SH1SP(-SUS) / SH1P(-SUS)



·SH1TLRP / SH1TLP / SH1TSP / SH1TP

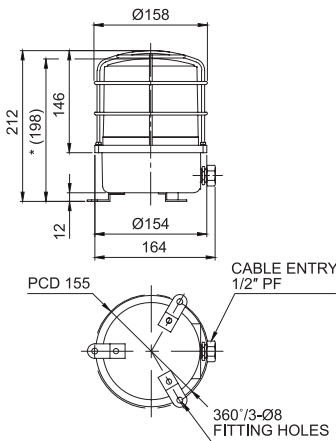


·SH1LR-2TP / SH1L-2TP / SH1S-2TP / SH1-2TP (Cable entry 2EA type)

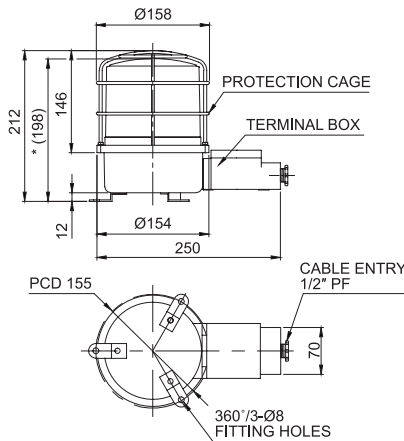


※ *(167) represents SH1LR(-SUS)/ SH1L(-SUS)/SH1S(-SUS)/ SH1(-SUS), SH1TLR/ SH1TL/ SH1TS/ SH1T size without protection cage.

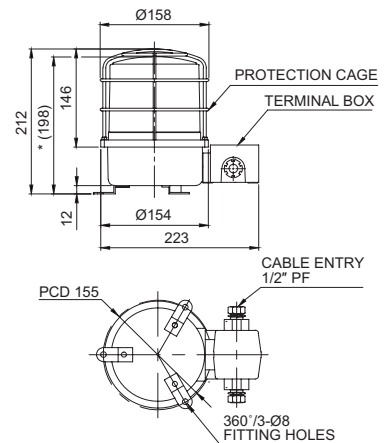
·SH2LRP / SH2LP / SH2SP / SH2P



·SH2TLRP / SH2TLP / SH2TSP / SH2TP



·SH2LR-2TP / SH2L-2TP / SH2S-2TP / SH2-2TP (Cable entry 2EA type)



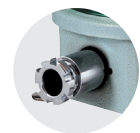
※ *(198) represents SH2 Series size without protection cage.

Wiring Instructions

· SH1(-SUS), SH1LR(-SUS), SH2, SH2LR : Black output line is negative(-).

Customization

- 3/4" PF Cable entry
Standard cable entry is 1/2" PF, 3/4" PF is customization
- Built-in cable gland type
Flexible connector is equipped to the standard cable entry
- Brass housing product (SH2(T)S, SH2(T)LR, SH2(T)L, SH2(T) Series only)
Color will be MUNSELL No. 7.5BG 7/2 when released.
- 2T type has 2 cable entries in the terminal box
2 cable entries terminal box is a customized add-on.



Built-in cable gland



Brass housing product



2 cable entries terminal box model