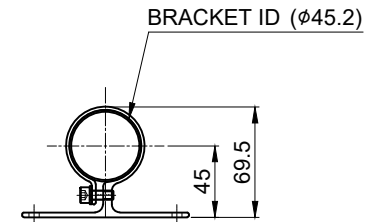
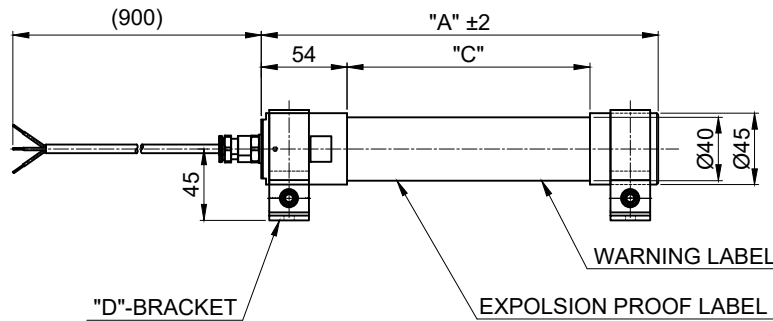
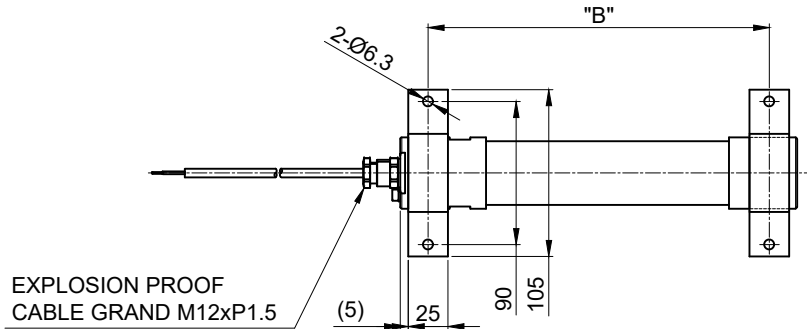


MODEL	"A"	"B"	"C"	"D"
QLEX-SLM-250	250	-	153	1EA
QLEX-SLM-650	637	602	540	2EA




MARK	DATE	REVISION	REVISER	APP. BY
①				
②				
③				

MODEL NO	QLEX-SLM-250/650		
MATERIAL	HOUSING (SIDE COVER) - AL		
	HOUSING (END COVER) - AL		
	LENS (GLOBE) - PC		
COLOR OF LENS	TRANSLUCENT		
USE VOLT.	CURRENT	250	DC24V : 0.37A / AC220V : 0.04A
		650	DC24V : 0.83A / AC220V : 0.105A
PROTECTION GRADE	Ex d IIC T6 IP66/IP67		
CABLE ENTRY	M12xP1.5		

1. POWER CABLE
 - UL2464-AWG18(0.75sq)-3C-900mm
 - 프랙시블 전선관, 전선관 피팅, 케이블그랜드는 방폭 인증 무관

	ISO2768-1 : CLASS OF TOLERANCE				
	f	m	⊙	v	
FOR LINEAR DIMENSIONS	0.5~3	±0.05	±0.1	±0.2	-
	3~6			±0.3	±0.5
	6~30	±0.1	±0.2	±0.5	±1
	30~120	±0.15	±0.3	±0.8	±1.5
	120~400	±0.2	±0.5	±1.2	±2.5
	400~1000	±0.3	±0.8	±2	±4
FOR ANGULAR DIMENSIONS	0~10	±1°		±1°30'	±3°
	10~50	±0°30'		±1°	±2°
	50~120	±0°20'		±0°30'	±1°
	120~400	±0°10'		±0°13'	±0°30'

SURFACE FINISH

Nr.	-	DWG. NO.	-	TITLE / NAME	-	MAT'L	1	REFERENCE	-
DSND BY	J.Y. KIM	CHKD BY	Y.H. JOO	CHKD BY		APRV BY	J.K. HAN	VIEW	3
								DATE	2020.07.22
TITLE	QLEX-SLM-SERISE LAYOUT				MODEL	QLEX SERISE			
					DWG. NO.	QLEX LAYOUT			
					SCALE	N/S	SIZE	A4	REV