

1 2 3 4 5 6

A

A

B

B

C

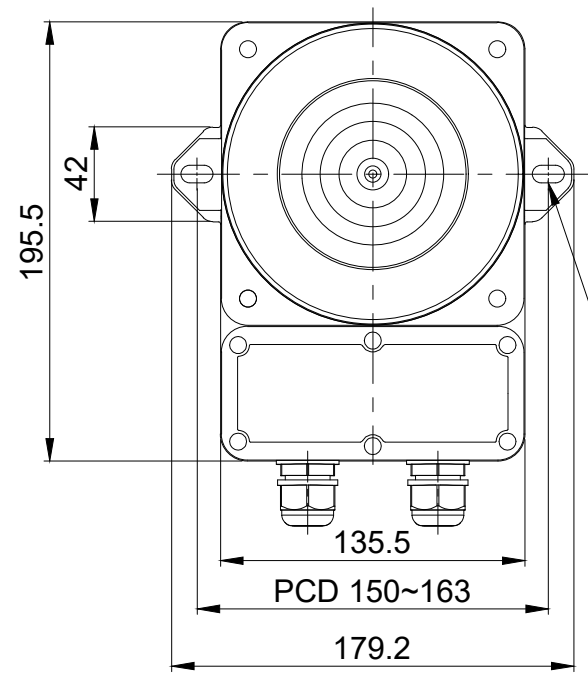
C

D

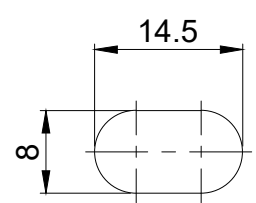
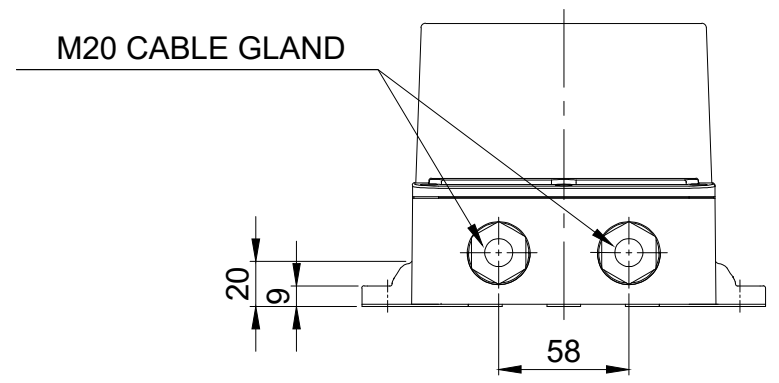
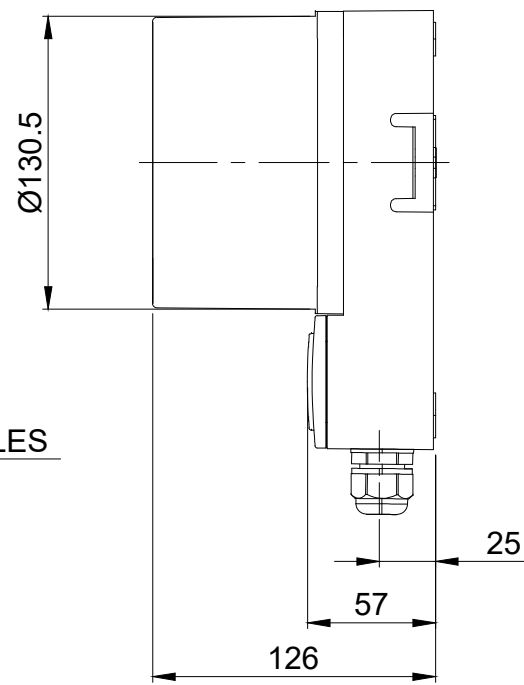
D

MARK	DATE	REVISION	REVISER	APP .BY
①				
②				
③				

MODEL NO		QWH35T	
MATERIAL		HORN-PC+ABS	
		HOUSING-PC+ABS	
USE VOLT.	CURRENT	DC12V ~ 24V	MAX. 0.930A
		AC110V ~ 220V	MAX. 0.300A
CHANNEL		BIT INPUT	5CH (ONLY SD-CARD)
		BINARY INPUT	31CH
KIND OF SOUND	VOLUME	WARNING SOUNDS 31Ch	MAX. 115dB at 1m
		MP3 SOUNDS	MAX. 113dB at 1m
PROTECTION GRADE		WATER & DUST PROOF - IP66	
CABLE ENTRY		M20 CABLE GLAND x 2	
COLOR OF HOUSING		MAKER STANDARD	




2-φ8 SLOT HOLES



FITTING HOLES

ISO2768-1 : CLASS OF TOLERANCE					
FOR LINEAR DIMENSIONS		f	m	Ⓢ	v
		0.5~3	±0.05	±0.1	±0.2
	3~6	±0.3			±0.5
	6~30	±0.1	±0.2	±0.5	±1
	30~120	±0.15	±0.3	±0.8	±1.5
	120~400	±0.2	±0.5	±1.2	±2.5
	400~1000	±0.3	±0.8	±2	±4
FOR ANGULAR DIMENSIONS	0~10	±1°		±1°30'	±3°
	10~50	±0°30'		±1°	±2°
	50~120	±0°20'		±0°30'	±1°
	120~400	±0°10'		±0°13'	±0°30'

Nr.	DWG. NO.	TITLE/ NAME	MAT'L	QT'Y	REFERENCE
DSND BY	CHKD BY	CHKD BY	APRV BY	VIEW	DATE
C.S.GWAK	J.H.PARK		J.K.HAN	3	2021.10.08
TITLE			MODEL		
QWH35T OUTLINE DRAWING			QWH35T		
			DWG. NO.		
			QWH35T_OUT		
SCALE	SIZE	REV	SHEET		
1/1	A4	01	1/1		

1 2 3 4 5 6 A4(297X210)