

# QNES Series

Explosion proof LED signal beacon & electronic sounder with convenient selection of steady/flashing, strobe, and simulated revolving light functions



QNES



QNES-SUS

## PRODUCT SPECIFICATION

QNES | QNES-SUS

**Materials** Lens-Tempered glass, Filter-PC, Bracket-STS316L, Protection cage-STS316L, Housing-Al(QNES), STS316L(QNES-SUS)

**Ambient operating temperature**

-40°C ≤ Tamb ≤ +60°C(T5)

-40°C ≤ Tamb ≤ +45°C(T6)

**Explosion protection rating**

IECEX - Ex db IIC T6/T5 Gb, Ex tb IIIC T85°C/T100°C Db

ATEX - Ex II 2G Ex db IIC T6/T5 Gb,

Ex II 2D Ex tb IIIC T85°C/T100°C Db

NEPSI, CCC - Ex db IIC T5/T6 Gb

KCs - Ex d IIC T6/T5, IP66

**Certificates** IECEX, ATEX, NEPSI, KCs, CCC

**Housing standard color** Red, MUNSELL No. 7.5BG 7/2

**Cable entry** 1/2" NPT

**Flashing rate(LF type)** 60-80 flashes/min.

**Strobe rate(LS type)** 70-80 flashes/min.

**Simulated revolving rate(LR type)** 120-140RPM

- Explosion proof, multifunctional, and compact LED signal light designed for use in explosive gas environments with Ex d II C rating
- Explosion proof, multifunctional, and compact LED signal light designed for use in explosive gas environments with Ex d II C rating
- Features excellent shock and vibration resistance, maintenance significantly reduced with long-lasting LED light source
- A variety of sound selections between warning sounds, alarm sounds, melodies and voice messages to fit your sophisticated application needs
- Features superior durability with aluminum housing(QNES)
- STS housing provides superior durability and corrosion resistance(QNES-SUS)
- Fully enclosed structure with protection rating of IP66

### QNES Explosion Proof Signal Beacon and Electronic Sounder Combination

Model number	Voltage	Current	Sound pattern and volume	Certificates	Weight	Color
QNES	DC12V	Max.	·WS-5 Warning sounds: Max.110dB		3.15kg	● R-Red ● A-Amber ● G-Green ● B-Blue
	-24V	1.6A	·WP-5 Special warning sounds: Max.110dB ·WM-5 Melodies: Max.105dB			
QNES-SUS	AC110V	Max.	·WA-5 Alarms: Max.105dB		3.15kg	● R-Red ● A-Amber ● G-Green ● B-Blue
	-230V	300mA	·WV-5 Customizable voices: 99-106dB			

### QNES-SUS Explosion Proof Signal Beacon and Electronic Sounder Combination

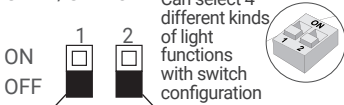
Model number	Voltage	Current	Sound pattern and volume	Certificates	Weight	Color
QNES-SUS	DC12V	Max.	·WS-5 Warning sounds: Max.110dB		7.60kg	● R-Red ● A-Amber ● G-Green ● B-Blue
	-24V	1.6A	·WP-5 Special warning sounds: Max.110dB ·WM-5 Melodies: Max.105dB			
QNES-SUS	AC110V	Max.	·WA-5 Alarms: Max.105dB		7.60kg	● R-Red ● A-Amber ● G-Green ● B-Blue
	-230V	300mA	·WV-5 Customizable voices: 99-106dB			

※ Max.built-in volume feature is based on WS, WP-Ch1 / WM-Ch5 / WA-Ch5.

※ In case of customized WV 5 tone type, there may be difference of volume depending on user's audio file type.

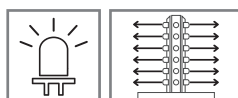
### Instruction for Light Function Switch

ON=1/OFF=0



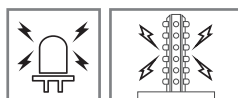
No.	1	2	Operation
0	0	0	LED Steady
1	0	1	LED Flashing
2	1	0	LED Strobe
3	1	1	LED Simulated revolving flashing

### Operation



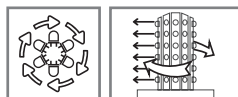
• LED Steady/Flashing

Repeat operation of LED light on/off



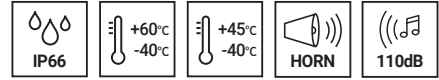
• LED Strobe

Short LED steady/flashing. Creates a xenon flashing effect by providing maximum electric current



• LED Simulated Revolving Flashing

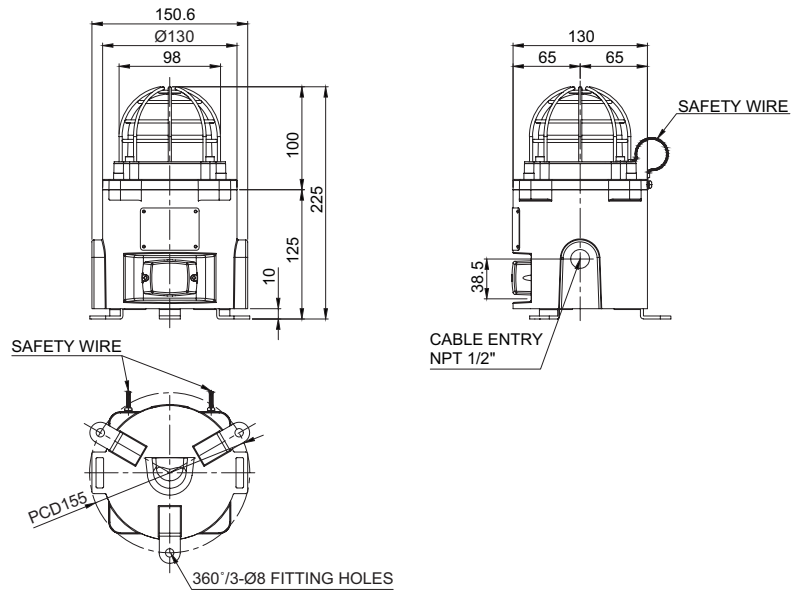
LED flashes steadily around the cylindrical LED filaments which makes a simulated revolving effect



## Technical Diagram

Units: mm

### ·QNES / QNES-SUS



## Customization

- Explosion proof cable gland attached type available (Standard type does not come with explosion proof cable gland)
- 2 ways cable entries
- M20×1.5, 3/4" NPT cable entry

## Ordering Specification

<b>QNES</b>	-	<b>WA</b>	-	<b>110/230</b>	-	<b>R</b>	-	<b>SUS</b>	-	<b>IECEX</b>
[Model number]		[Sound]		[Voltage]		[Color]		[Housing materials]		[Certificates]
QNES		WS-Warning sounds WP-Special warning sounds WM-Melodies WA-Alarms WV-Customizable voices		12/24-DC12V-24V 110/230-AC110V-230V		● R-Red ● A-Amber ● G-Green ● B-Blue		None - Al SUS-ST316L		IECEX ATEX KCs CCC(NEPSI)