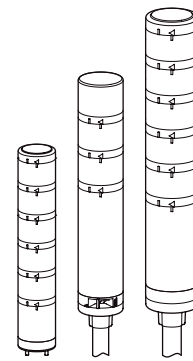
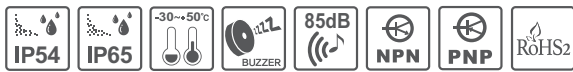


Modular LED Signal Tower Lights

QTR50/ QTR60/ QTR70



Thank you for purchasing Qlight's products. Please read this user manual carefully prior to installation and operation to ensure safe and correct use.

⚠ Precautions for Safety

Failure to follow the instructions below may cause a loss of life or serious physical injury.

1. During wiring or maintenance, please completely turn off the power of the product. (Failure to follow this may lead to an electric shock.)
2. Do not install the product in locations that subjects it to excessive dust or water other than the conditions designated by the IP protection ratings indicated for each product. (Failure to follow these instructions may cause a fire to the product, electric shock, physical injury, malfunction or damage to the product.)
3. Do not alter or repair this product. If maintenance or repair service is required, please contact your local Qlight contact point. (Failure to follow these instructions may lead to fire, electric shock, or product damage.)
4. Please apply the correct voltage to the product. (Failure to follow these instructions may lead to fire, electric shock, or product damage.)
5. When the product is applied to a condition that may impact lives or property, please make sure to have a double safety device. (Failure to follow this may cause damage to property, fire, electric shock and loss of life.)

⚠ Precautions for Correct Use

Failure to follow the proper instructions may cause damage to property, the product, and or malfunction of the product that would void the warranty.

1. Please remove any objects that can interrupt ventilation around the product.
2. Please turn off the power of the product immediately if it fails to operate properly.
3. Carefully wire the product according to each product's specification.
4. Please be careful in preventing chemicals such as thinner, benzene, etc. in contact with the surface of the product.
5. Do not apply excessive force/impact to the product.
6. Failure to follow any of the instructions above may cause malfunction or damage to the product, fire, and electric shock.

Ordering Specifications

QTR50/ 60/ 70L	3	110/220	RAG	LW18/24
[Model number]	[Layer count]	[Voltage]	[Color]	[Bracket]
• QTR50/ 60/ 70L	• 1-1 Layer	• 12-DC12V	R-Red	• None-Standard
• QTR50/ 60/ 70L-BZ	• 2-2 Layers	• 24-DC24V	A-Amber	• Bracket
• QTR50/ 60/ 70LF	• 3- 3Layers	• 110/220	G-Green	-LB18/24 -LW18/24
• QTR50/ 60/ 70LF-BZ	• 4-4 Layers	-AC110V-220V	B-Blue	-QZ18/24 -SZ18/24
• QTRA50/ 60/ 70L	• 5-5 Layers		W-White	-QL18/24 -SL18/24
• QTRA50/ 60/ 70L-BZ				
• QTRA50/ 60/ 70LF				
• QTRA50/ 60/ 70LF-BZ				

QTR50/ 60/ 70ML	3	110/220	RAG
[Model number]	[Layer count]	[Voltage]	[Color]
• QTR50/ 60/ 70ML	• 1-1 Layer	• 12-DC12V	R-Red
• QTR50/ 60/ 70ML-BZ	• 2-2 Layers	• 24-DC24V	A-Amber
• QTR50/ 60/ 70MLF	• 3- 3Layers	• 110/220-AC110V-220V	G-Green
• QTR50/ 60/ 70MLF-BZ	• 4-4 Layers		B-Blue
• QTRA50/ 60/ 70ML	• 5-5 Layers		W-White
• QTRA50/ 60/ 70ML-BZ			
• QTRA50/ 60/ 70MLF			
• QTRA50/ 60/ 70MLF-BZ			





Please scan the QR code for more detailed product information.

www.qlight.com



Product Specifications

• QTR50L

Model number	Layer count	Voltage	Certificate	Weight	Color
QTR50L Steady	1	DC12V DC24V	 	0.34kg 0.34kg	R-Red
QTR50L-BZ Steady/w built-in buzzer		AC110V~220V		0.44kg	
QTR50LF Steady/Flashing	2	AC/DC12V AC/DC24V		0.43kg 0.43kg	R-Red G-Green
QTR50LF-BZ Steady/Flashing /w built-in buzzer		AC110V~220V		0.53kg	
QTRA50L Steady	3	AC/DC12V AC/DC24V		0.51kg 0.51kg	R-Red A-Amber G-Green
QTRA50L-BZ Steady/w built-in buzzer		AC110V~220V		0.61kg	
QTRA50LF Steady/Flashing	4	AC/DC12V AC/DC24V		0.60kg 0.60kg	R-Red A-Amber G-Green B-Blue
QTRA50LF-BZ Steady/Flashing /w built-in buzzer		AC110V~220V		0.70kg	
QTRA50LF Steady/Flashing	5	AC/DC12V AC/DC24V AC110V~220V		0.68kg	R-Red A-Amber G-Green B-Blue W-White
QTRA50LF-BZ Steady/Flashing /w built-in buzzer				0.68kg	
QTRA50LF-BZ Steady/Flashing /w built-in buzzer				0.78kg	



Light source/buzzer current(based on 1 layer)			
Voltage condition	DC12V	DC24V	AC110-220V
Light source current (1 layer)	90mA	70mA	Max.55mA
Buzzer current	40mA	75mA	Max.55mA

• QTR60L

Model number	Layer count	Voltage	Certificate	Weight	Color
QTR60L Steady	1	DC12V DC24V	 	0.41kg 0.41kg	R-Red
QTR60L-BZ Steady/w built-in buzzer		AC110V~220V		0.51kg	
QTR60LF Steady/Flashing	2	DC12V DC24V		0.50kg 0.50kg	R-Red G-Green
QTR60LF-BZ Steady/Flashing /w built-in buzzer		AC110V~220V		0.60kg	
QTRA60L Steady	3	DC12V DC24V		0.58kg 0.58kg	R-Red A-Amber G-Green
QTRA60L-BZ Steady/w built-in buzzer		AC110V~220V		0.68kg	
QTRA60LF Steady/Flashing	4	DC12V DC24V		0.67kg 0.67kg	R-Red A-Amber G-Green B-Blue
QTRA60LF-BZ Steady/Flashing /w built-in buzzer		AC110V~220V		0.77kg	
QTRA60LF Steady/Flashing	5	DC12V DC24V AC110V~220V		0.75kg	R-Red A-Amber G-Green B-Blue W-White
QTRA60LF-BZ Steady/Flashing /w built-in buzzer				0.75kg	
QTRA60LF-BZ Steady/Flashing /w built-in buzzer				0.85kg	

Light source/buzzer current(based on 1 layer)			
Voltage condition	DC12V	DC24V	AC110-220V
Light source current (1 layer)	105mA	70mA	Max.60mA
Buzzer current	40mA	75mA	Max.55mA



• QTR70L

Model number	Layer count	Voltage	Certificate	Weight	Color
QTR70L Steady	1	DC12V DC24V	 	0.54kg 0.54kg	R-Red
QTR70L-BZ Steady/w built-in buzzer		AC110V~220V		0.64kg	
QTR70LF Steady/Flashing	2	DC12V DC24V		0.66kg 0.66kg	R-Red G-Green
QTR70LF-BZ Steady/Flashing /w built-in buzzer		AC110V~220V		0.76kg	
QTRA70L Steady	3	DC12V DC24V		0.81kg 0.81kg	R-Red A-Amber G-Green
QTRA70L-BZ Steady/w built-in buzzer		AC110V~220V		0.90kg	
QTRA70LF Steady/Flashing	4	DC12V DC24V		0.96kg 0.96kg	R-Red A-Amber G-Green B-Blue
QTRA70LF-BZ Steady/Flashing /w built-in buzzer		AC110V~220V		1.06kg	
QTRA70LF Steady/Flashing	5	DC12V DC24V AC110V~220V		1.20kg	R-Red A-Amber G-Green B-Blue W-White
QTRA70LF-BZ Steady/Flashing /w built-in buzzer				1.20kg	
QTRA70LF-BZ Steady/Flashing /w built-in buzzer				1.29kg	

Light source/buzzer current(based on 1 layer)			
Voltage condition	DC12V	DC24V	AC110-220V
Light source current (1 layer)	105mA	70mA	Max.60mA
Buzzer current	40mA	75mA	Max.55mA



※ QTR series UL listed : DC24V

• **QTR50ML**

Model number	Layer count	Voltage	Certificate	Weight	Color
QTR50ML Steady	1	DC12V DC24V	 	0.19kg 0.19kg	R-Red
QTR50ML-BZ Steady/w built-in buzzer		AC110V~220V		0.29kg	
QTR50MLF Steady/Flashing	2	DC12V DC24V		0.27kg 0.27kg	R-Red G-Green
QTR50MLF-BZ Steady/Flashing /w built-in buzzer		AC110V~220V		0.37kg	
QTRA50ML Steady	3	DC12V DC24V		0.36kg 0.36kg	R-Red A-Amber G-Green
QTRA50ML-BZ Steady/w built-in buzzer		AC110V~220V		0.46kg	
QTRA50MLF Steady/Flashing	4	DC12V DC24V		0.44kg 0.44kg	R-Red A-Amber G-Green B-Blue
QTRA50MLF-BZ Steady/Flashing /w built-in buzzer		AC110V~220V		0.54kg	
QTRA50MLF-BZ Steady/Flashing /w built-in buzzer	5	DC12V DC24V AC110V~220V		0.53kg 0.53kg 0.63kg	R-Red A-Amber G-Green B-Blue W-White



Light source/buzzer current(based on 1 layer)			
Voltage condition	DC12V	DC24V	AC110-220V
Light source current (1 layer)	0.090A	0.070A	Max.0.055A
Buzzer current	0.040A	0.075A	Max.0.055A

• **QTR60ML**

Model number	Layer count	Voltage	Certificate	Weight	Color
QTR60ML Steady	1	DC12V DC24V	 	0.26kg 0.26kg	R-Red
QTR60ML-BZ Steady/w built-in buzzer		AC110V~220V		0.36kg	
QTR60MLF Steady/Flashing	2	DC12V DC24V		0.34kg 0.34kg	R-Red G-Green
QTR60MLF-BZ Steady/Flashing /w built-in buzzer		AC110V~220V		0.44kg	
QTRA60ML Steady	3	DC12V DC24V		0.43kg 0.43kg	R-Red A-Amber G-Green
QTRA60ML-BZ Steady/w built-in buzzer		AC110V~220V		0.53kg	
QTRA60MLF Steady/Flashing	4	DC12V DC24V		0.51kg 0.51kg	R-Red A-Amber G-Green B-Blue
QTRA60MLF-BZ Steady/Flashing /w built-in buzzer		AC110V~220V		0.61kg	
QTRA60MLF-BZ Steady/Flashing /w built-in buzzer	5	DC12V DC24V AC110V~220V		0.59kg 0.59kg 0.69kg	R-Red A-Amber G-Green B-Blue W-White

Light source/buzzer current(based on 1 layer)			
Voltage condition	DC12V	DC24V	AC110-220V
Light source current (1 layer)	0.105A	0.070A	Max.0.060A
Buzzer current	0.040A	0.075A	Max.0.055A

• **QTR70ML**

Model number	Layer count	Voltage	Certificate	Weight	Color
QTR70ML Steady	1	DC12V DC24V	 	0.42kg 0.42kg	R-Red
QTR70ML-BZ Steady/w built-in buzzer		AC110V~220V		0.52kg	
QTR70MLF Steady/Flashing	2	DC12V DC24V		0.56kg 0.56kg	R-Red G-Green
QTR70MLF-BZ Steady/Flashing /w built-in buzzer		AC110V~220V		0.66kg	
QTRA70ML Steady	3	DC12V DC24V		0.77kg 0.77kg	R-Red A-Amber G-Green
QTRA70ML-BZ Steady/w built-in buzzer		AC110V~220V		0.87kg	
QTRA70MLF Steady/Flashing	4	DC12V DC24V		0.92kg 0.92kg	R-Red A-Amber G-Green B-Blue
QTRA70MLF-BZ Steady/Flashing /w built-in buzzer		AC110V~220V		1.02kg	
QTRA70MLF-BZ Steady/Flashing /w built-in buzzer	5	DC12V DC24V AC110V~220V		1.07kg 1.07kg 1.17kg	R-Red A-Amber G-Green B-Blue W-White

Light source/buzzer current(based on 1 layer)			
Voltage condition	DC12V	DC24V	AC110-220V
Light source current (1 layer)	0.105A	0.070A	Max.0.060A
Buzzer current	0.040A	0.075A	Max.0.055A

Dimensions

(Units : mm)

• QTR50(M)L

QTR50ML : DC
QTR50MLF : DC
QTR50ML-BZ : DC

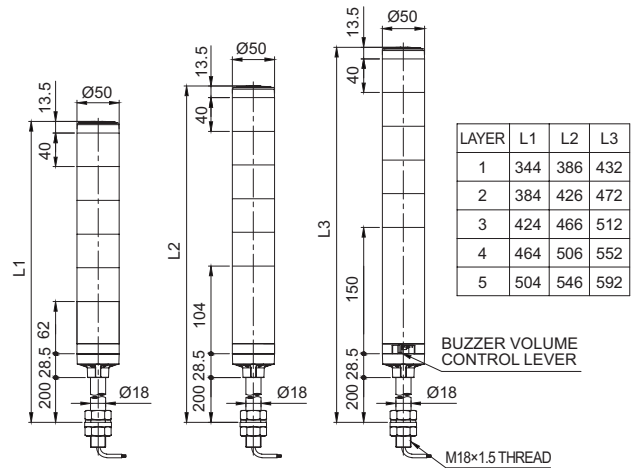
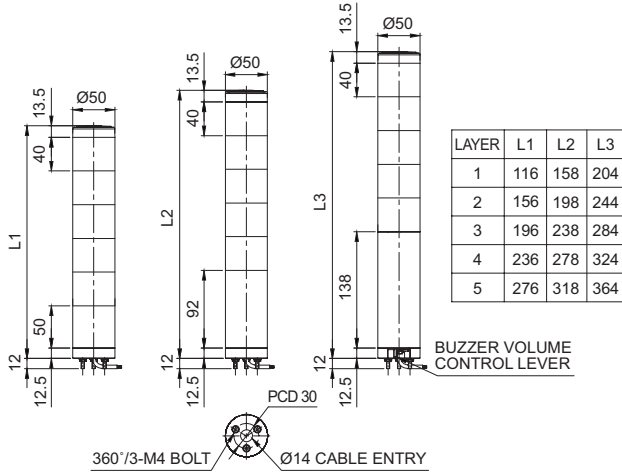
QTR50ML : AC
QTR50MLF-BZ : DC

QTR50MLF : AC
QTR50ML-BZ : AC
QTR50MLF-BZ : AC

QTR50L : DC
QTR50LF : DC
QTR50L-BZ : DC

QTR50L : AC
QTR50LF-BZ : DC

QTR50LF : AC
QTR50L-BZ : AC
QTR50LF-BZ : AC



• QTR60(M)L

QTR60ML : DC
QTR60MLF : DC
QTR60ML-BZ : DC

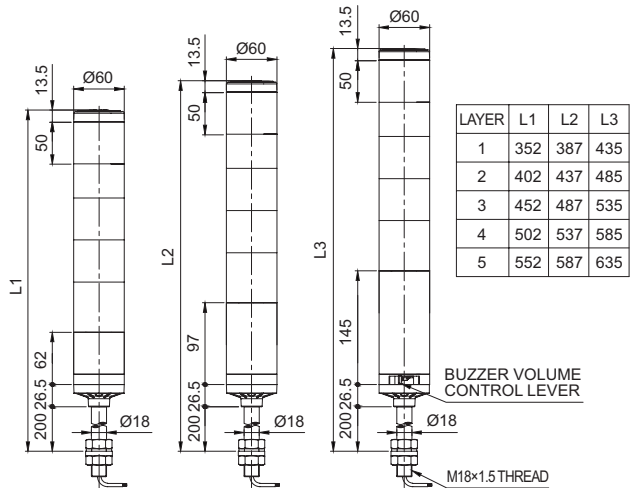
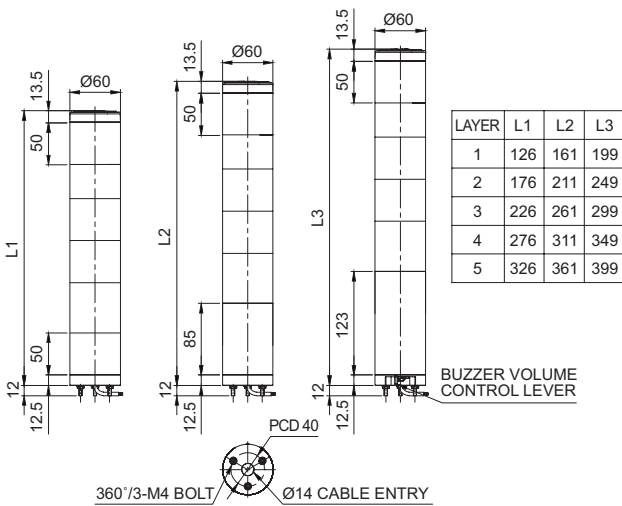
QTR60ML : AC
QTR60MLF-BZ : DC

QTR60MLF : AC
QTR60ML-BZ : AC
QTR60MLF-BZ : AC

QTR60L : DC
QTR60LF : DC
QTR60L-BZ : DC

QTR60L : AC
QTR60LF-BZ : DC

QTR60LF : AC
QTR60L-BZ : AC
QTR60LF-BZ : AC



• QTR70(M)L

QTR70ML : DC
QTR70MLF : DC
QTR70ML-BZ : DC

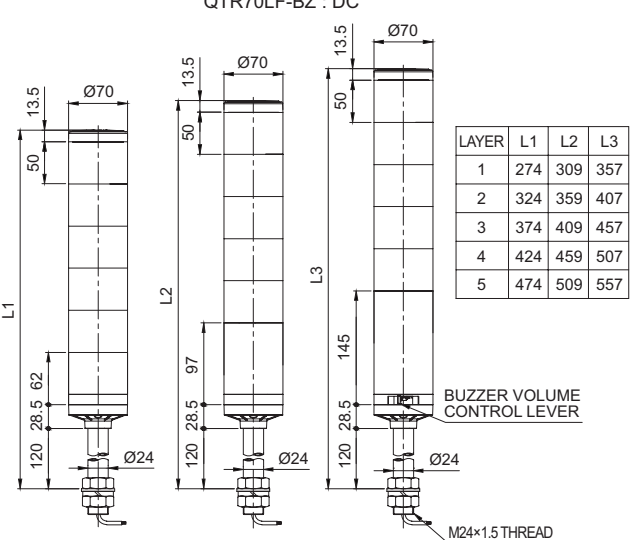
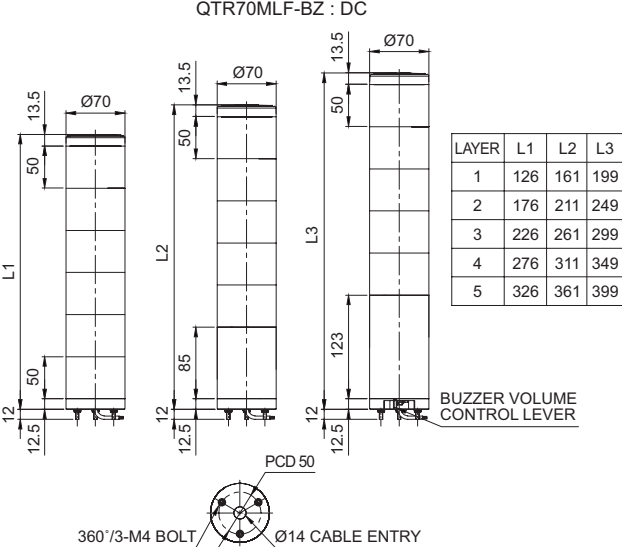
QTR70ML : AC
QTR70MLF : AC
QTR70ML-BZ : AC
QTR70MLF-BZ : DC

QTR70MLF-BZ : AC

QTR70L : DC
QTR70LF : DC
QTR70L-BZ : DC

QTR70L : AC
QTR70LF : AC
QTR70L-BZ : AC
QTR70LF-BZ : DC

QTR70LF-BZ : AC



Wiring Instructions

■ Wiring using external contact

- In case of wiring with external contacts, refer to the wiring diagrams below according to your product's type and voltage setting.

	Wiring diagrams		Wiring diagrams
DC steady	<p>QTR50ML QTR50L QTR60ML QTR60L QTR70ML QTR70L</p> <ul style="list-style-type: none"> • QTR(A) □ □ (M)L - Refer to this diagram for buzzer type product • QTR □ □ L <ul style="list-style-type: none"> □ Lens diameter 50(50mm) : QTR50(M)L □ 60(60mm) : QTR60(M)L □ 70(70mm) : QTR70(M)L 	AC steady	<p>QTR50ML QTR50L QTR60ML QTR60L QTR70ML QTR70L</p> <ul style="list-style-type: none"> • QTR(A) □ □ (M)L - Refer to this diagram for buzzer type product • QTR □ □ L <ul style="list-style-type: none"> □ Lens diameter 50(50mm) : QTR50(M)L □ 60(60mm) : QTR60(M)L □ 70(70mm) : QTR70(M)L
DC steady/flashing	<p>QTR50MLF QTR50LF QTR60MLF QTR60LF QTR70MLF QTR70LF</p> <ul style="list-style-type: none"> • QTR(A) □ □ (M)LF - Refer to this diagram for buzzer type product • QTR □ □ LF <ul style="list-style-type: none"> □ Lens diameter 50(50mm) : QTR50(M)LF □ 60(60mm) : QTR60(M)LF □ 70(70mm) : QTR70(M)LF 	AC steady/flashing	<p>QTR50MLF QTR50LF QTR60MLF QTR60LF QTR70MLF QTR70LF</p> <ul style="list-style-type: none"> • QTR(A) □ □ (M)LF - Refer to this diagram for buzzer type product • QTR □ □ LF <ul style="list-style-type: none"> □ Lens diameter 50(50mm) : QTR50(M)LF □ 60(60mm) : QTR60(M)LF □ 70(70mm) : QTR70(M)LF

- DC steady type cable specification : External power/ signal line - UL1007 AWG22(0.3sq) 400mm
- AC steady, AC/DC steady/flashing type cable specification : External power line - UL1015 AWG18(0.75sq) × 2C 400mm
External signal line - UL1007 AWG22(0.3sq) 400mm

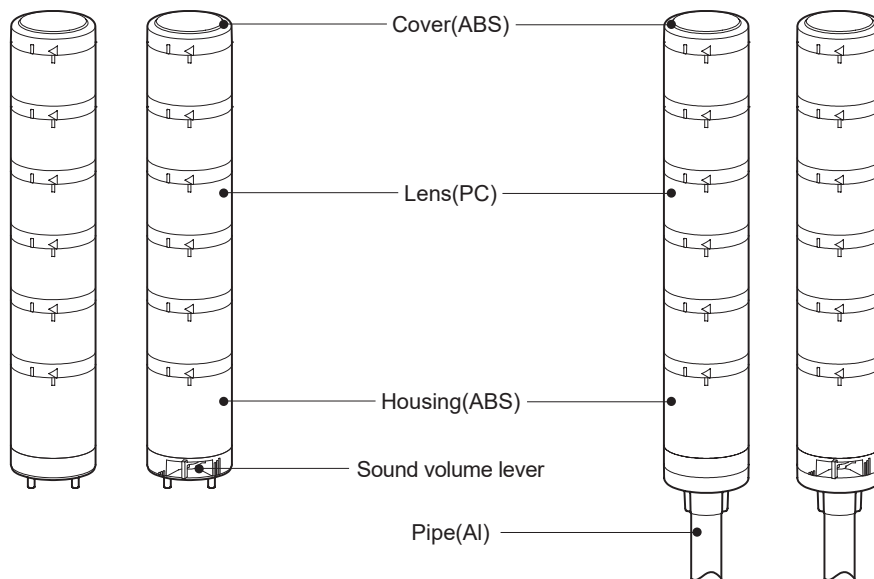
■ Wiring using transistor

- When using a transistor, please choose between the NPN or PNP type transistor which best matches the voltage and product type, then connect them correctly according to the wiring diagrams below.

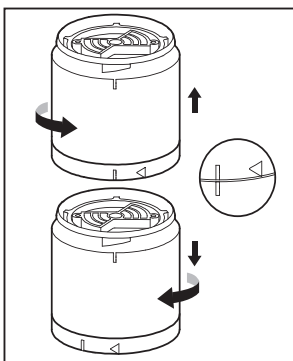
		Wiring diagrams	
DC steady		<p style="text-align: center;">NPN-Transistor External transistor-NPN</p> <p style="text-align: center;">PNP-Transistor External transistor-PNP</p>	
<p>QTR50ML QTR50L QTR60ML QTR60L QTR70ML QTR70L</p>		<ul style="list-style-type: none"> • QTR(A) □□ (M)L - Refer to this diagram for buzzer type product • QTR □□ L <ul style="list-style-type: none"> □ Lens diameter 50(50mm) : QTR50(M)L 60(60mm) : QTR60(M)L 70(70mm) : QTR70(M)L 	
DC steady/flashing		<p style="text-align: center;">External transistor-PNP</p>	
<p>QTR50MLF QTR50LF QTR60MLF QTR60LF QTR70MLF QTR70LF</p>		<p style="text-align: center;">External transistor-PNP</p>	
		<p>QTR50MLF QTR50LF QTR60MLF QTR60LF QTR70MLF QTR70LF</p>	<ul style="list-style-type: none"> • QTR(A) □□ (M)LF - Refer to this diagram for buzzer type product • QTR □□ LF <ul style="list-style-type: none"> □ Lens diameter 50(50mm) : QTR50(M)LF 60(60mm) : QTR60(M)LF 70(70mm) : QTR70(M)LF

- DC steady type cable specification : External power/ signal line - UL1007 AWG22(0.3sq) 400mm
- AC steady, AC/DC steady/flashing type cable specification : External power line - UL1015 AWG18(0.75sq) × 2C 400mm
External signal line - UL1007 AWG22(0.3sq) 400mm

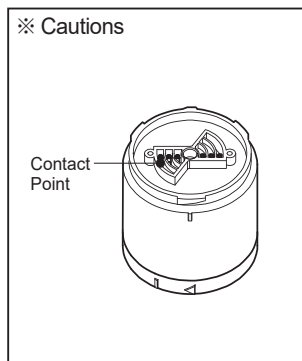
Parts Definition



How to replace the module

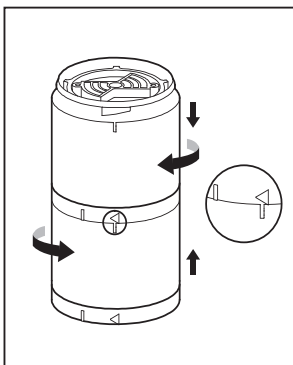


- Disassembling the module
- ① Twist the upper module kit in a counterclockwise direction so the "T" mark from both kits align.
- ② Disassemble by removing the upper module kit from the lower one.



※ Cautions

Lens modules are connected through cone-shaped contact point. In case the contact point is damaged, it may cause a contact failure.

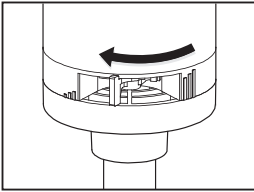


- Assembling the module
- Put the two module together by aligning the upper module's "T" mark and the lower module's "T" mark together.
- Lock the two kits by twisting the upper module kit in a clockwise direction so the upper module's "T" mark aligns with the lower module's "T" mark.

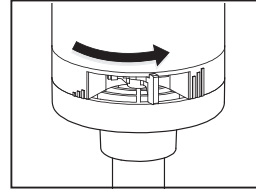
Installation Environment and Protection Rating

- This product is designed for indoor use with protection rating of IP65(standard type) or IP54(buzzer type).
- If the product is installed in locations that subject it to excessive dust or water other than the designated IP protection rating indicated(IP65), it may cause malfunction or damage to the product.
- For further information, please visit our website(www.qlight.com).

Buzzer Sound Volume Adjustment Instructions



Buzzer volume is reduced by sliding the volume control lever to the left as show in the diagram to the left.
(Min. 65±4dB/m)

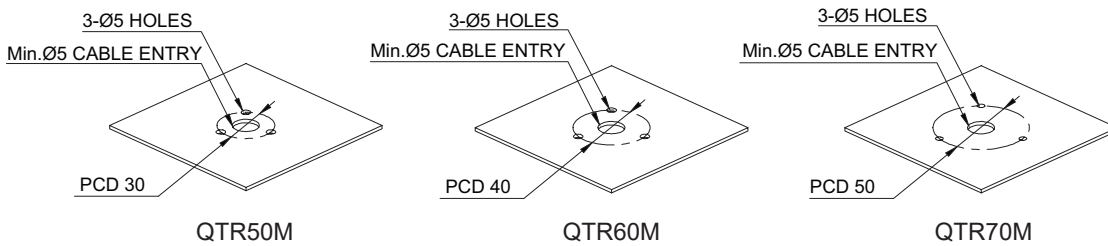


Raise/ Increase the buzzer volume by sliding the control lever to the right as shown in the diagram to the left.
(Max. 85±4dB/m)

Mounting Hole Specifications

■ QTR50M/ QTR60M/ QTR70M -Direct Mounting Type Model

① Machine holes on the mounting surface referring to the diagram below.



② Remove the flange nuts from bolts and place the product through the mounting surface holes.

③ Fasten the flange nuts on the opposite side of the mounting surface until the product is tightened securely.

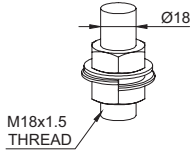
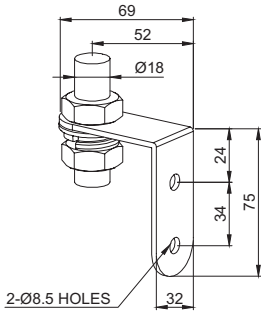
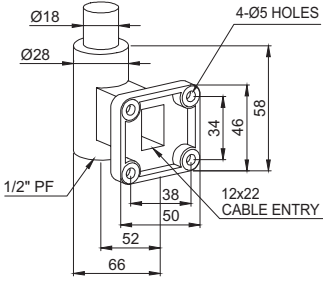
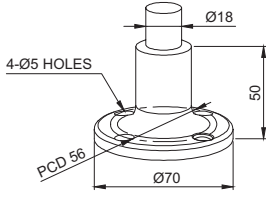
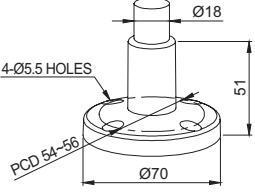
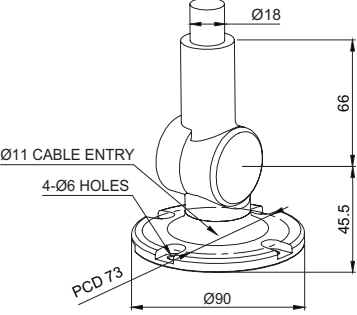
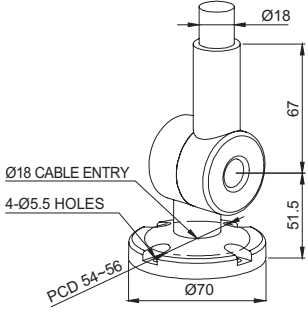
Mounting Accessories (Sold Separately)

• Please refer to the dimensions below for installation of mounting brackets.

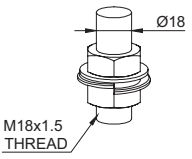
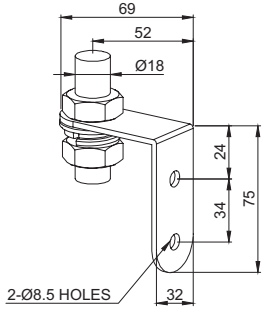
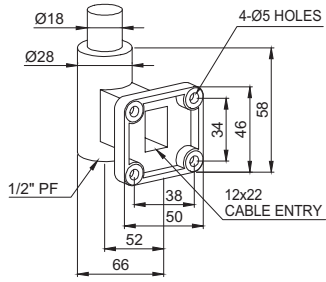
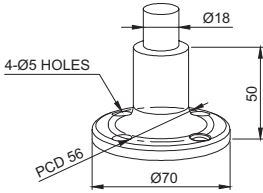
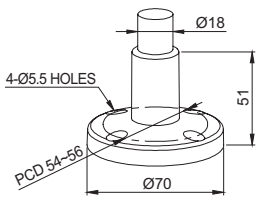
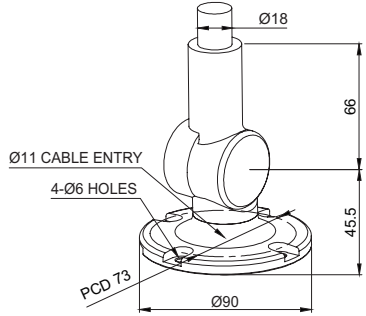
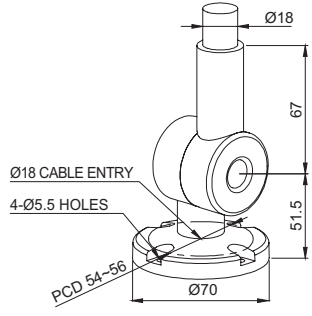
■ QTR50ML/ QTR60ML/ QTR70ML - Direct Mounting Type Model

	Dimensions	
QTR50 series QTR60 series	<p>TWS45</p>	<p>TWA45</p>
QTR70 series	<p>TWS80</p>	<p>TWA80</p>

■ QTR50L/ QTR60L - Pole Mounting Type Model

Dimensions	
<p>QTR50 series QTR60 series</p>  <p>M18x1.5 THREAD</p> <p>Ø18</p>	 <p>69 52 Ø18 24 34 75 32 2-Ø8.5 HOLES</p>
<p>18mm SCREW & NUT</p>	<p>LB18</p>
 <p>Ø18 Ø28 4-Ø5 HOLES 1/2\" PF 12x22 CABLE ENTRY 34 46 58 38 50 52 66</p>	 <p>Ø18 4-Ø5 HOLES PCD 56 Ø70</p>
<p>LW18</p>	<p>SZ18</p>
 <p>Ø18 4-Ø5.5 HOLES PCD 54-56 Ø70</p>	 <p>Ø18 66 Ø11 CABLE ENTRY 4-Ø6 HOLES PCD 73 Ø90</p>
<p>QZ18</p>	<p>SL18</p>
 <p>Ø18 67 Ø18 CABLE ENTRY 4-Ø5.5 HOLES PCD 54-56 Ø70</p>	
<p>QL18</p>	

■ QTR70L - Pole Mounting Type Model

Dimensions	
<p>QTR70 series</p>  <p>M18x1.5 THREAD</p> <p>Ø18</p> <p>24mm SCREW & NUT</p>	 <p>69</p> <p>52</p> <p>Ø18</p> <p>24</p> <p>34</p> <p>75</p> <p>2-Ø8.5 HOLES</p> <p>32</p> <p>LB24</p>
 <p>Ø18</p> <p>Ø28</p> <p>4-Ø5 HOLES</p> <p>1/2" PF</p> <p>34</p> <p>46</p> <p>66</p> <p>52</p> <p>38</p> <p>50</p> <p>12x22 CABLE ENTRY</p> <p>LW24</p>	 <p>Ø18</p> <p>4-Ø5 HOLES</p> <p>PCD 56</p> <p>Ø70</p> <p>50</p> <p>SZ24</p>
 <p>Ø18</p> <p>4-Ø5.5 HOLES</p> <p>PCD 54-56</p> <p>Ø70</p> <p>51</p> <p>QZ24</p>	 <p>Ø18</p> <p>Ø11 CABLE ENTRY</p> <p>4-Ø6 HOLES</p> <p>PCD 73</p> <p>Ø90</p> <p>66</p> <p>45.5</p> <p>SL24</p>
 <p>Ø18</p> <p>Ø18 CABLE ENTRY</p> <p>4-Ø5.5 HOLES</p> <p>PCD 54-56</p> <p>Ø70</p> <p>67</p> <p>51.5</p> <p>QL24</p>	

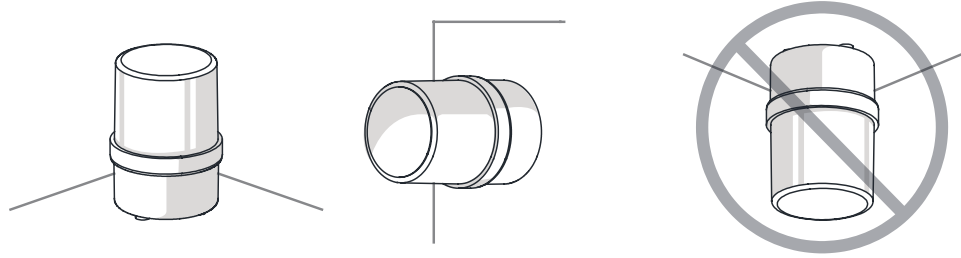
Product installation direction

- Install the product in accordance with the manual. Otherwise rainwater or moisture may penetrate into the product.

· BEACON/SIGNALING LIGHT

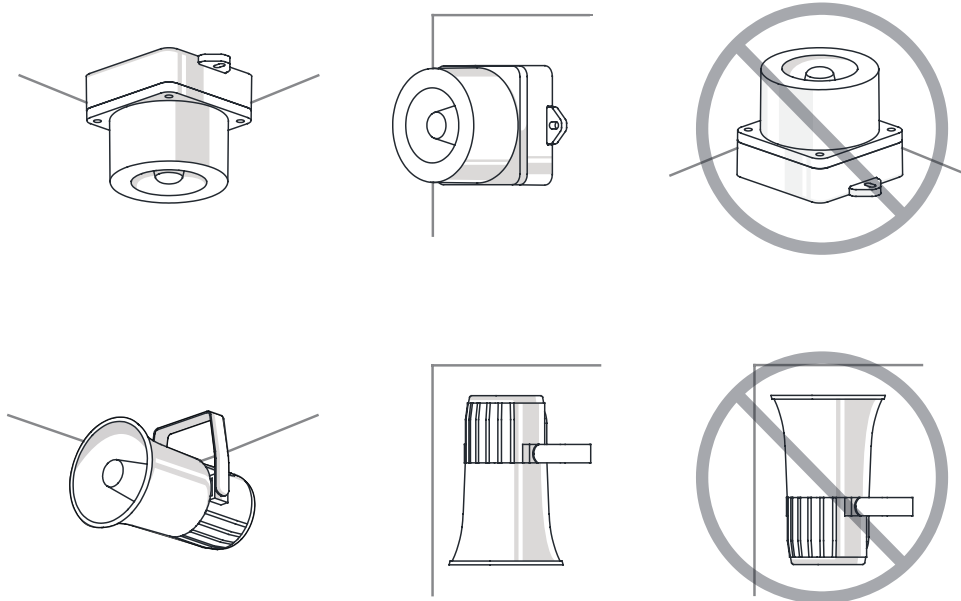
※ For products with a protection rating of less than IPX4, please install it vertically.

Power cord inlet part shall not be facing the sky.



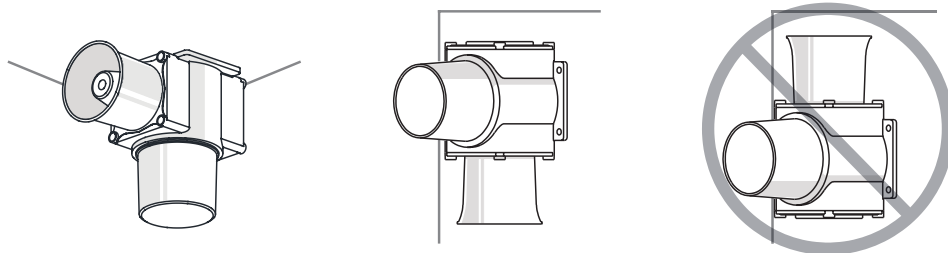
· ELECTRONIC SOUNDER/SIGNAL HORN

Sounder part shall not be facing the sky.



· HEAVY-DUTY & EXPLOSION PROOF SIGNALINGS

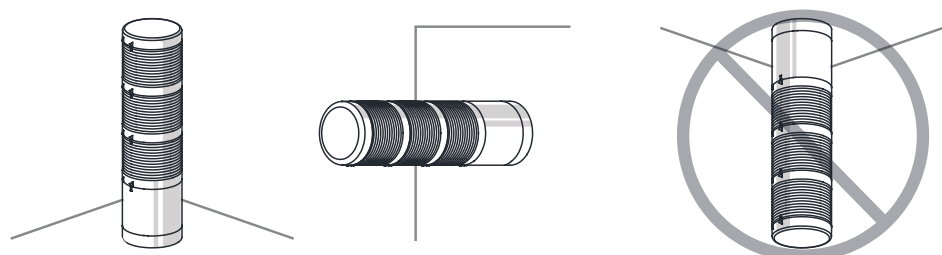
Sounder part shall not be facing the sky.



· SIGNAL TOWER LIGHTS

※ For products with a protection rating of less than IPX4, please install it vertically.

Power cord inlet part shall not be facing the sky.





For your safety

Specification and dimensions listed in this catalogue subject to change without notice for product quality improvement.
The newest product information is available on our website.(www.qlight.com)
Please read the instruction manual attached to the product carefully before installation and use.

Qlight Co., Ltd. www.qlight.com | trade@qlight.com

Head Office | Suite #1510, STX-V Tower, 128 Gasan digital 1-ro, Geumcheon-gu, Seoul, Korea

Tel. +82-2-2679-6152(Toll free. +82-80-328-2222) Fax. +82-2-2679-6154

Factory | 185-25, Mukbang-ro, Sangdong-myeon, Gimhae-si, Gyeongsangnamdo, Korea Tel. +82-55-328-1111(Toll free. +82-80-328-1111)

Qlight Overseas Sales Dept | 704 Nakdong-daero, Sasang-gu, Busan, Korea(Eomgung-Dong) Tel : +82-51-620-4100

Qlight Public Relations & Marketing Team Office | 704 Nakdong-daero, Sasang-gu, Busan, Korea(Eomgung-Dong) Tel. +82-51-245-0017

SHANGHAI Qlight Electronic Co., Ltd. www.qlight.com www.qlightcn.com | qlightcn@qlight.com

China Factory/ Shanghai Sales Office | #Room 333 Building B, #11, Lane 450, Zhenda Road, Baoshan District, Shanghai, China

Tel. +86-21-6651-7100 Fax. +86-21-6315-3929

China Factory Site 2 (Qidong) | #33, Haiyan Road, Qidong High-tech Industrial Development Zone, Qidong, Jiangsu Province, China

Tel +86-513-8384-9999 Fax +86-513-8384-9910

Qlightec

Innovation in Alarm & Signal

Product Operation Inquiry / Customer Support +82-51-620-4100

You can expect prompt service if you have exact information such as model name, symptom, telephone number and address.

※ALL PRODUCT, PRODUCT SPECIFICATIONS AND DATA ARE SUBJECT TO CHANGE WITHOUT NOTICE TO IMPROVE RELIABILITY, FUNCTION OR DESIGN OR OTHERWISE.

Head office : Suite #1510, STX-V Tower, 128 Gasan digital 1-ro, Geumcheon-gu, Seoul, Korea (Postal Code : 08507)

Factory : 185-25, Mukbang-Ro, Sangdong-Myeon, Gimhae-Si, Gyeongsangnam-Do, Korea (Postal Code : 50805)

www.qlight.com

EN - QTR50L - 2407A