

QTR Series

Soft and Comfortable Signal Light Emitted through the Translucent Lens

PRODUCT SPECIFICATION

QTR Series

Materials Lens-PC, Housing-ABS, Pole-Al
Ambient operating temperature -30°C to +50°C
Volume Max.85dB at 1m
Protection rating Standard type-IP65, Built-in buzzer type-IP54
Flashing rate 60-80/min
Compliant with RoHS directive

- Modular LED steady/flashing signal tower lights
- Soft and comfortable signal light emitted through the translucent lens
- When the product is turned off the translucent color filter provides comfortable viewing at close proximity for the operator
- Can select from size selections of Ø50mm, Ø60mm, and Ø70mm to fit your sophisticated application needs
- The addition of modules and change in color arrangement can be achieved without the use of tools by using the Lock-type structure
- QTRA type offers a nifty integrated lens and cover for a simple aesthetically pleasing product
- A variety of Mounting brackets selections for the pole mount type to fit your location and mounting needs
- Standard model and built-in buzzer model can be used by selecting the specifications suitable for the operating environment.
- Available in customized 2 sound buzzer type and high volume(100dB) buzzer type
- Wired type and M12 connector type allow for a customized model that M12 connector can be attached at the end of wires.
- Transistors can be connected and can be operated on PLC directly



Each modular color lens can be added without additional tools



QTR model uses a special contact structure for stable operation, the lens modules lock into place by rotating the modular structures together. This allows for easy changes to the color arrangement without any tools. Additional modules can be added.



- High volume buzzer (100dB) option can be fitted to the top of the product. (Customization)**
High volume 100dB volume buzzer module fastened to the top of the product provides 360 degree buzzer signal output which cannot be achieved with the single directional buzzer.(Buzzer volume cannot be adjusted)
- Integrated cover and lens model(QTRA50 / QTRA60 / QTRA70)**
QTRA50 / QTRA60 / QTRA70 The sleek lens cover model is made of one piece for a simple unified look.
- QTR Series special lens**
QTR Series provides soft and comfortable signal light emitted through the translucent lens.
- Buzzer volume is adjusted via the volume control lever**
QTR type volume can be adjusted for each specific working condition with the equipped buzzer volume control lever at the bottom of the product.(-BZ type)
- M12 connector attached type**
M12 connector is standard(Female M12 connector is not provided).
- Can select from a variety of Mounting brackets option to fit your application needs and build environment**
There are a variety of Mounting bracket options available depending on cost and installation requirements.

QTR50ML / QTR50L



QTR50ML Series



QTRA50ML Series



High-volume buzzer module

QTR50ML Ø50mm Direct mount, LED Steady/Flashing

Model number	Layers	Voltage	Certificates	Weight	Color
QTR50ML Steady	1	DC12V		0.19kg	● R-Red
QTR50ML-BZ Steady w/built-in buzzer		DC24V AC110V-220V		0.19kg 0.29kg	
QTR50MLF Steady/Flashing	2	DC12V		0.27kg	● R-Red ● G-Green
QTR50MLF-BZ Steady/Flashing w/ built-in buzzer		DC24V AC110V-220V		0.27kg 0.37kg	
QTRA50ML Steady	3	DC12V	CE UL	0.36kg	● R-Red ● A-Amber ● G-Green
QTRA50ML-BZ Steady w/built-in buzzer		DC24V AC110V-220V		0.36kg 0.46kg	
QTRA50MLF Steady/Flashing	4	DC12V		0.44kg	● R-Red ● A-Amber ● G-Green ● B-Blue
QTRA50MLF-BZ Steady/Flashing w/ built-in buzzer		DC24V AC110V-220V		0.44kg 0.54kg	
QTRA50MLF-BZ Steady/Flashing w/ built-in buzzer	5	DC12V DC24V AC110V-220V		0.53kg 0.53kg 0.63kg	● R-Red ● A-Amber ● G-Green ● B-Blue ○ W-White

※ AC type model has a free-voltage range of 100V-240V.

※ UL Listed: DC24V

Light source/buzzer current(based on 1 layer)

Voltage	DC12V	DC24V	AC110V-220V
Light source current(1 layer)	90mA	70mA	Max.55mA
Buzzer current	40mA	75mA	Max.55mA

Wiring Instructions

- External power line - UL1015 AWG18(0.75sq) x 2C 400mm
- External signal line - UL1007 AWG22(0.3sq) 400mm
- LED tower light can be wired by using transistor and External Contact

Customization

- DC24V voltage UL listed product
- M12 connector attached type
- 2 buzzer sound types : Both prolonged (beep, beep) and staccato (beep, beep, beep) buzzer output available
- Wall mount bracket options : Bracket structure allows for threading through the bracket hole or into the wall
- Top high-volume buzzer module mounted (lens limited to 4 layers or less)



Wall mount bracket TWS45



Wall mount bracket TWA45

Ordering Specification

QTC70ML	-	3	-	110/220	-	RAG
[Model number]		[Layers]		[Voltage]		[Color]
QTC70ML		1-1 Layer		12-DC12V		● R-Red
QTC70ML-BZ		2-2 Layers		24-DC24V		● A-Amber
QTC70MLF		3-3 Layers		110/220-AC110V-220V		● G-Green
QTC70MLF-BZ		4-4 Layers				● B-Blue
QTCA70ML		5-5 Layers				○ W-White
QTCA70ML-BZ						
QTCA70MLF						
QTCA70MLF-BZ						



QTR50L Ø50mm Pole mount, LED Steady/Flashing

Model number	Layers	Voltage	Certificates	Weight	Color
QTR50L Steady	1	DC12V	CE UL	0.34kg	● R-Red
QTR50L-BZ Steady w/built-in buzzer		DC24V		0.34kg	
		AC110V-220V		0.44kg	
QTR50LF Steady/Flashing	2	DC12V	CE UL	0.43kg	● R-Red ● G-Green
QTR50LF-BZ Steady/Flashing w/ built-in buzzer		DC24V		0.43kg	
		AC110V-220V		0.53kg	
QTRA50L Steady	3	DC12V	CE UL	0.51kg	● R-Red ● A-Amber ● G-Green
QTRA50L-BZ Steady w/built-in buzzer		DC24V		0.51kg	
		AC110V-220V		0.61kg	
QTRA50LF Steady/Flashing	4	DC12V	CE UL	0.60kg	● R-Red ● A-Amber ● G-Green ● B-Blue
QTRA50LF-BZ Steady/Flashing w/ built-in buzzer		DC24V		0.60kg	
		AC110V-220V		0.70kg	
QTRA50LF-BZ Steady/Flashing w/ built-in buzzer	5	DC12V		0.68kg	● R-Red ● A-Amber ● G-Green ● B-Blue ○ W-White
		DC24V		0.68kg	
		AC110V-220V		0.78kg	

※ AC type model has a free-voltage range of 100V-240V.

※ UL Listed: DC24V



QTR50L Series

Light source/buzzer current(based on 1 layer)

Voltage	DC12V	DC24V	AC110V-220V
Light source current(1 layer)	90mA	70mA	Max.55mA
Buzzer current	40mA	75mA	Max.55mA

Wiring Instructions

- External power line - UL1015 AWG18(0.75sq) x 2C 400mm
- External signal line - UL1007 AWG22(0.3sq) 400mm
- LED tower light can be wired by using transistor and External Contact

Mounting bracket

Standard	LB18	LW18	QZ18	SZ18	QL18	SL18
Steel	Steel	ABS	ABS	Al	ABS	Al

※ Please refer to [Tower Light Mounting bracket] on this catalogue for detailed dimensions

Ordering Specification

QTR50L	-	3	-	110/220	-	RAG	-	LW18
[Model number]		[Layers]		[Voltage]		[Color]		[Bracket]
QTR50L		1-1 Layer		12-DC12V		● R-Red		· None-
QTR50L-BZ		2-2 Layers		24-DC24V		● A-Amber		Standard
QTR50LF		3-3 Layers		110/220-AC110V-220V		● G-Green		· Bracket
QTR50LF-BZ		4-4 Layers				● B-Blue		-LB18 -LW18
QTRA50L		5-5 Layers				○ W-White		-QZ18 -SZ18
QTRA50L-BZ								-QL18 -SL18
QTRA50LF								
QTRA50LF-BZ								



QTRA50L Series

Customization

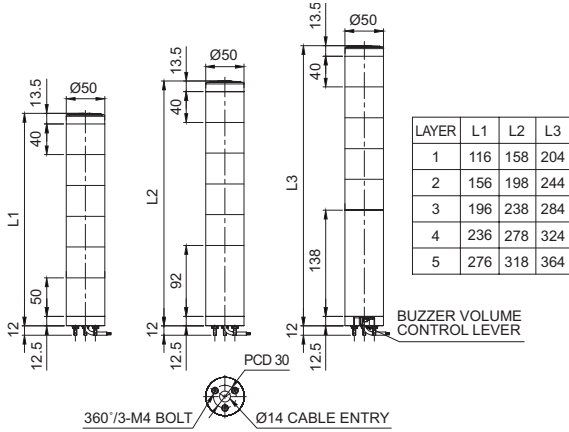
- 2 buzzer sound types : Both prolonged(beep, beep) and staccato(beep, beep, beep) buzzer output available
- DC24V voltage UL listed product
- M12 connector attached type
- Customized pole length available
- Top high-volume buzzer module mounted (lens limited to 4 layers or less)

QTR Series

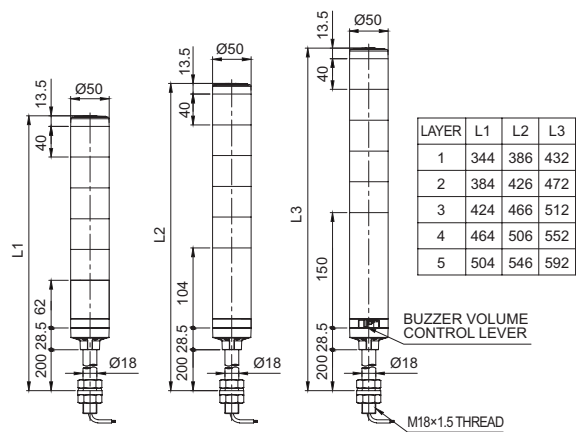
Technical Diagram

Units : mm

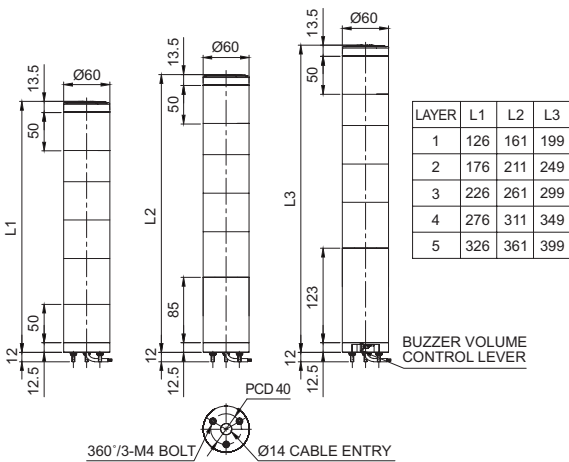
- QTR50ML-DC ·QTR50ML-AC ·QTR50MLF-AC
- QTR50MLF-DC ·QTR50MLF-BZ-DC ·QTR50ML-BZ-AC
- QTR50ML-BZ-DC ·QTR50MLF-BZ-AC



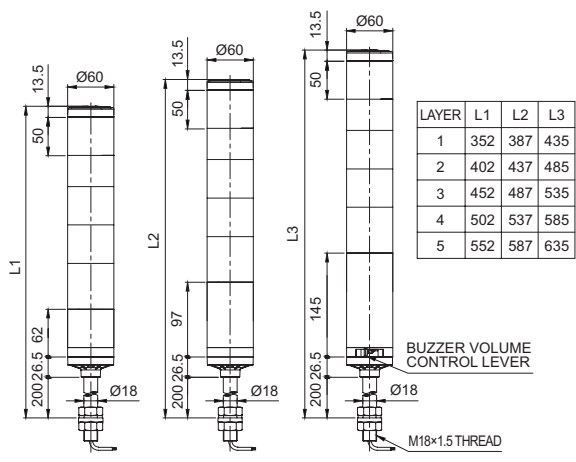
- QTR50L-DC ·QTR50L-AC ·QTR50LF-AC
- QTR50LF-DC ·QTR50LF-BZ-DC ·QTR50L-BZ-AC
- QTR50L-BZ-DC ·QTR50LF-BZ-AC



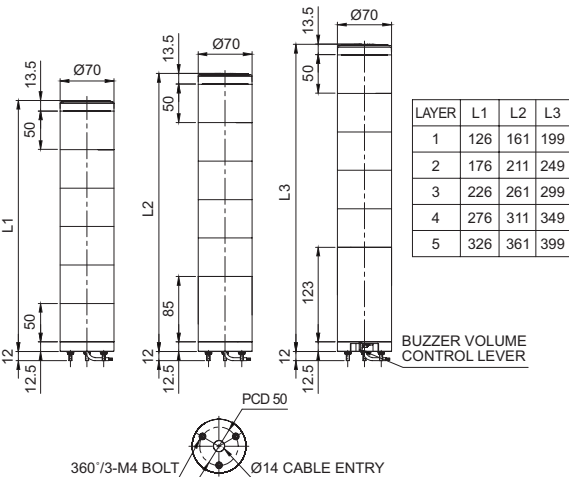
- QTR60ML-DC ·QTR60ML-AC ·QTR60MLF-AC
- QTR60MLF-DC ·QTR60MLF-BZ-DC ·QTR60ML-BZ-AC
- QTR60ML-BZ-DC ·QTR60MLF-BZ-AC



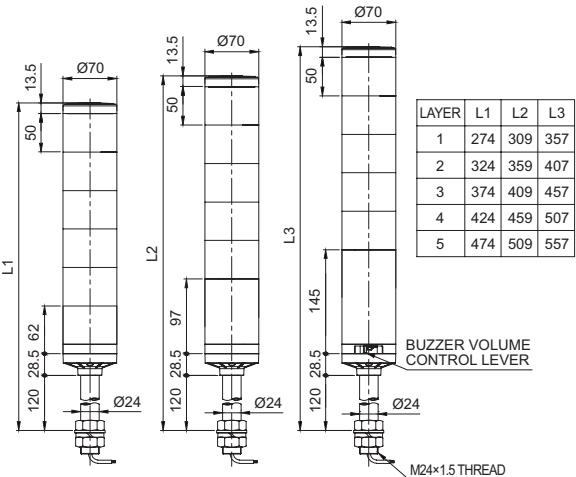
- QTR60L-DC ·QTR60L-AC ·QTR60LF-AC
- QTR60LF-DC ·QTR60LF-BZ-DC ·QTR60L-BZ-AC
- QTR60L-BZ-DC ·QTR60LF-BZ-AC



- QTR70ML-DC ·QTR70ML-AC ·QTR70MLF-BZ-AC
- QTR70MLF-DC ·QTR70MLF-AC ·QTR70ML-BZ-AC
- QTR70ML-BZ-DC ·QTR70MLF-BZ-DC



- QTR70L-DC ·QTR70L-AC ·QTR70LF-BZ-AC
- QTR70LF-DC ·QTR70LF-AC ·QTR70L-BZ-DC
- QTR70L-BZ-DC ·QTR70LF-BZ-DC



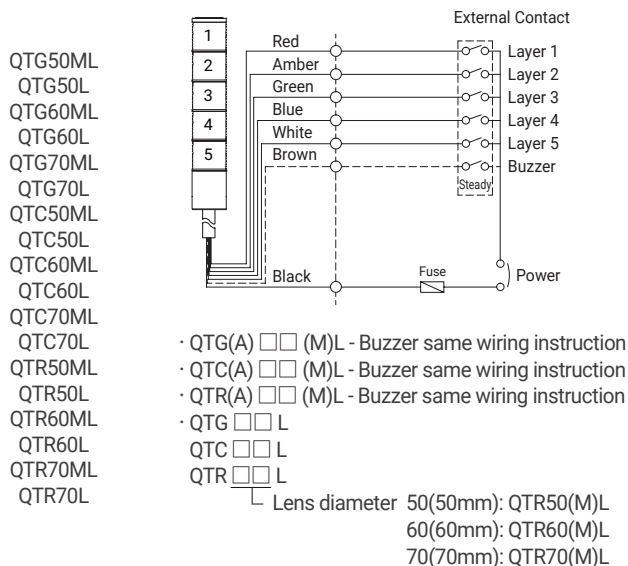
QTG / QTC / QTR Series

Wiring Instructions(using External Contact)

· In case of wiring with External Contacts, refer to the wiring diagrams below according to your product's type and voltage setting.

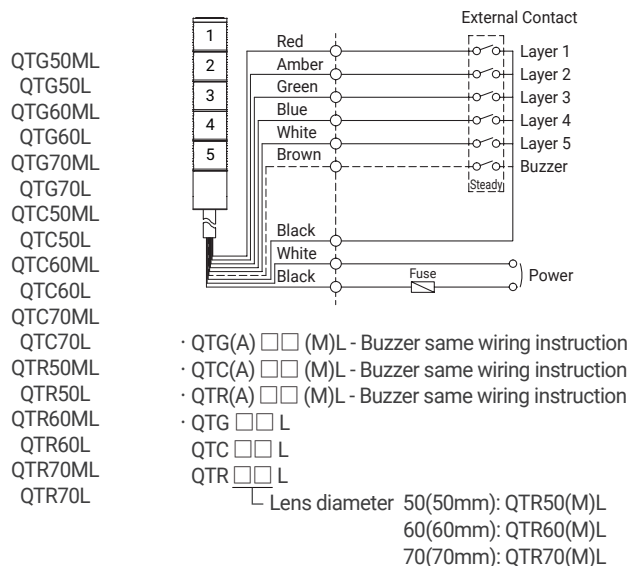
Wiring Instructions

DC Steady

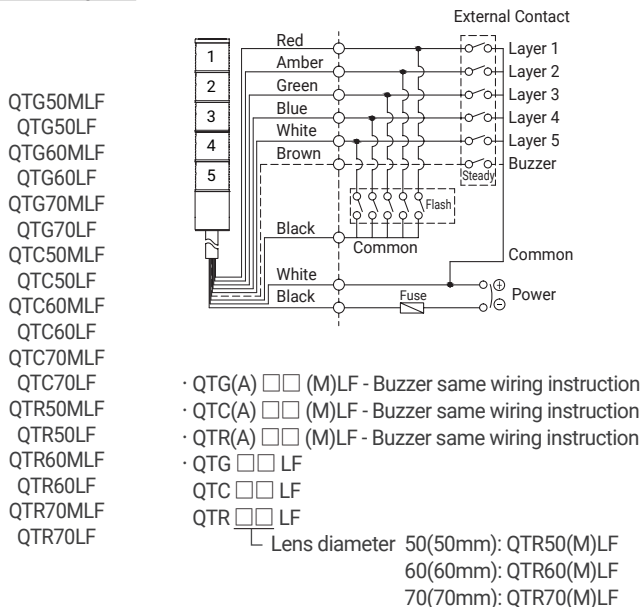


Wiring Instructions

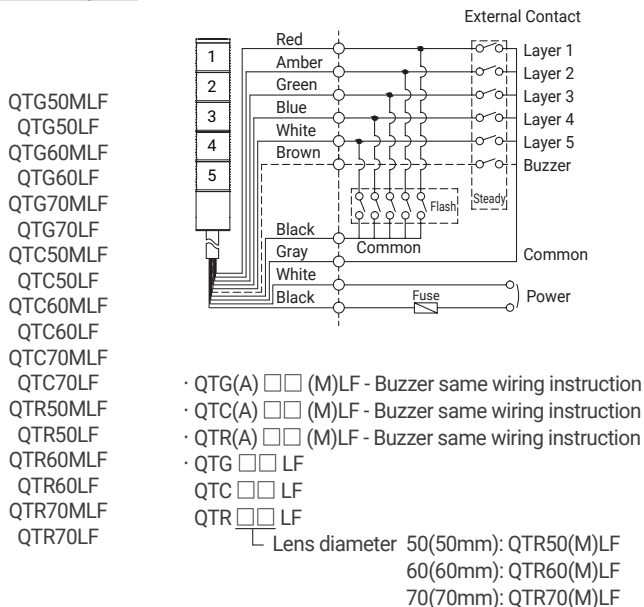
AC Steady



DC Steady/ Flashing



AC Steady/ Flashing



· DC steady type cable specification: External power line/External signal line - UL1007 AWG22(0.3sq) 400mm

· AC steady, AC/DC steady/flashing type cable specification: External power line - UL1015 AWG18(0.75sq) x 2C 400mm

External signal line - UL1007 AWG22(0.3sq) 400mm

QTG / QTC / QTR Series

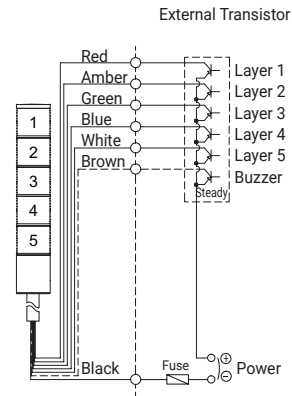
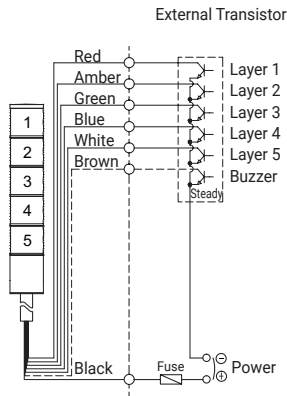
Wiring Instructions(using transistor)

· In case of wiring with transistors, please select the proper transistor type : either NPN or PNP based on the source voltage setting.

Wiring Instructions

DC Steady

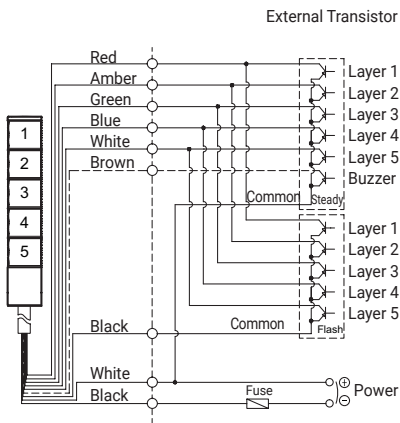
- QTG50ML
- QTG50L
- QTG60ML
- QTG60L
- QTG70ML
- QTG70L
- QTC50ML
- QTC50L
- QTC60ML
- QTC60L
- QTC70ML
- QTC70L
- QTR50ML
- QTR50L
- QTR60ML
- QTR60L
- QTR70ML
- QTR70L



- QTG(A) □□ (M)L - Buzzer same wiring instruction
- QTC(A) □□ (M)L - Buzzer same wiring instruction
- QTR(A) □□ (M)L - Buzzer same wiring instruction
- QTG □□ L
- QTC □□ L
- QTR □□ L
- └ Lens diameter 50(50mm): QTR50(M)L
- 60(60mm): QTR60(M)L
- 70(70mm): QTR70(M)L

DC Steady/ Flashing

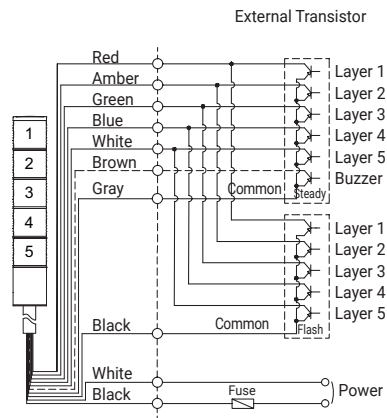
- QTG50MLF
- QTG50LF
- QTG60MLF
- QTG60LF
- QTG70MLF
- QTG70LF
- QTC50MLF
- QTC50LF
- QTC60MLF
- QTC60LF
- QTC70MLF
- QTC70LF
- QTR50MLF
- QTR50LF
- QTR60MLF
- QTR60LF
- QTR70MLF
- QTR70LF



- QTG(A) □□ (M)LF - Buzzer same wiring instruction
- QTC(A) □□ (M)LF - Buzzer same wiring instruction
- QTR(A) □□ (M)LF - Buzzer same wiring instruction
- QTG □□ LF
- QTC □□ LF
- QTR □□ LF
- └ Lens diameter 50(50mm): QTR50(M)LF
- 60(60mm): QTR60(M)LF
- 70(70mm): QTR70(M)LF

AC Steady/ Flashing

- QTG50MLF
- QTG50LF
- QTG60MLF
- QTG60LF
- QTG70MLF
- QTG70LF
- QTC50MLF
- QTC50LF
- QTC60MLF
- QTC60LF
- QTC70MLF
- QTC70LF
- QTR50MLF
- QTR50LF
- QTR60MLF
- QTR60LF
- QTR70MLF
- QTR70LF



- QTG(A) □□ (M)LF - Buzzer same wiring instruction
- QTC(A) □□ (M)LF - Buzzer same wiring instruction
- QTR(A) □□ (M)LF - Buzzer same wiring instruction
- QTG □□ LF
- QTC □□ LF
- QTR □□ LF
- └ Lens diameter 50(50mm): QTR50(M)LF
- 60(60mm): QTR60(M)LF
- 70(70mm): QTR70(M)LF

· DC steady type cable specification: External power line/External signal line - UL1007 AWG22(0.3sq) 400mm
 · AC steady, AC/DC steady/flashing type cable specification: External power line - UL1015 AWG18(0.75sq) x 2C 400mm
 External signal line - UL1007 AWG22(0.3sq) 400mm