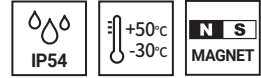


S125 Series



S125S



S125SM

PRODUCT SPECIFICATION

S125S | S125SM

Materials Lens-AS, Housing-ABS
Ambient operating temperature -30°C to +50°C
Protection rating IP54
Flashing rate 60-80/min

- Ø125mm xenon lamp strobe signal lights
- It has high instantaneous luminous efficiency and emits signal light close to natural light, providing excellent long-distance visibility
- Lamp connector structure for convenient lamp replacement

S125S Xenon Lamp Strobe Signal Lights

Model number	Voltage	Current	Xenon lamp			Certificates	Weight	Color
			Spec	Standard	Parts no			
S125S	DC12V -24V	Max. 1.3A	200V -550V	EUB0641 -1A(G)	48	CE	0.37kg	● R-Red
	AC110V	260mA		U Type			0.32kg	● A-Amber
	AC220V	270mA					0.32kg	● G-Green ● B-Blue

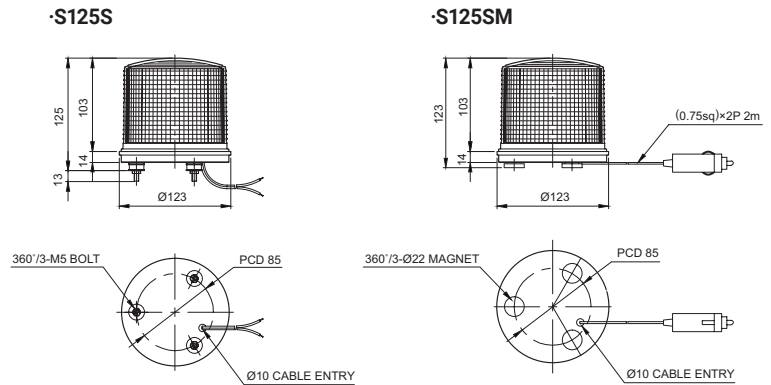
※ CE Compliant: DC12V-DC24V

S125SM Xenon Lamp Strobe Light Equipped with Magnet

Model number	Voltage	Current	Xenon lamp			Certificates	Weight	Color
			Spec	Standard	Parts no			
S125SM	DC12V -24V	Max. 1.3A	200V -550V	EUB0641 -1A(G) U Type	48	CE	0.40kg	● R-Red ● A-Amber ● G-Green ● B-Blue

Technical Diagram

Units: mm



Customization

- AC Type(S125SM)
- Wall mount bracket options(S125S)
- Bracket structure allows for threading through the bracket hole or into the wall mount



Wall Mount Bracket SWP125



Wall Mount Bracket SWM125

Wiring Instructions

- External Power line(S125S) UL1015 AWG18(0.75sq) x 2C 400mm
- External Power line(S125SM) Cigarette lighter plug, IEC42(0.75sq) x 2P 2m
- This product can be wired regardless of polarity.

Ordering Specification

S125S	-	220	-	R
[Model number]		[Voltage]		[Color]
S125S S125SM		12/24-DC12V-24V 110-AC110V 220-AC220V		● R-Red ● A-Amber ● G-Green ● B-Blue