

1 2 3 4 5 6

A

A

B

B

C

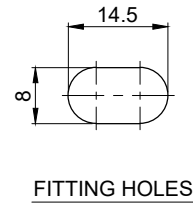
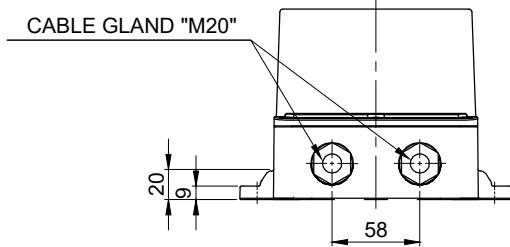
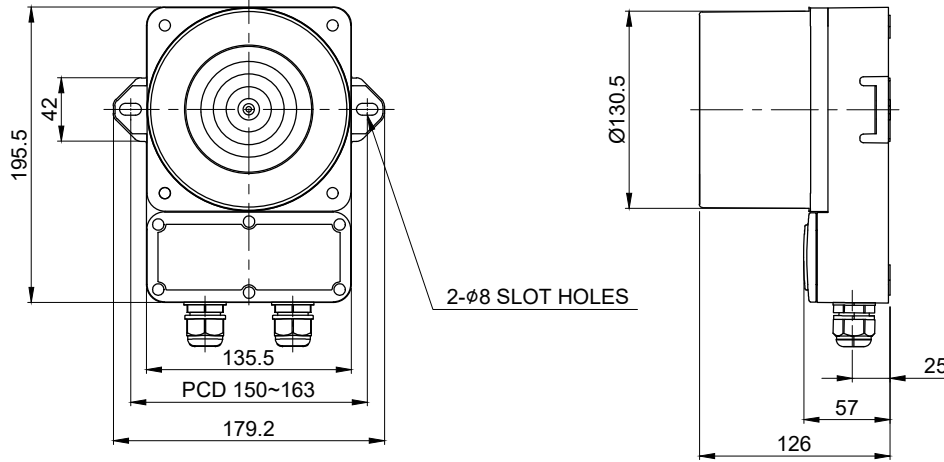
C

D

D

MARK	DATE	REVISION	REVISER	APP. BY
△1				
△2				
△3				

MODEL NO		QWCD35BT	
MATERIAL		HORN-PC	
		HOUSING-PC+ABS	
COLOR OF LENS		RED( ), AMBER( ), GREEN( ), BLUE( )	
USE VOLT.	CURRNET	DC12V	MAX. 0.64A
		DC24V	MAX. 0.45A
		AC110V ~ 220V	MAX. 0.2A
KIND OF SOUND	VOLUME	BUZZER MONO TONE	MAX. 115dB at 1m
PROTECTION GRADE		WATER & DUST PROOF - IP66	
CABLE ENTRY		φ21 CABLE ENTRY	
COLOR OF HOUSING		MAKER STANDARD	
ACTION		LED LAMP STROBE LIGHT	



ISO2768-1 : CLASS OF TOLERANCE											
FOR LINEAR DIMENSIONS	0.5~3	f	m	Ⓢ	v	Nr.	DWG. NO.	TITLE/ NAME	MAT'L	QTY	REFERENCE
	3~6	±0.05	±0.1	±0.2	-	DSND BY	CHKD BY	CHKD BY	APRV BY	VIEW	DATE
	6~30	±0.1	±0.2	±0.3	±0.5	J.Y.KIM	J.Y.KIM		J.W.KIM	3	2023.04.11
	30~120	±0.15	±0.3	±0.5	±0.8	TITLE QWCD35BT OUTLINE DRAWING					
	120~400	±0.2	±0.5	±1.2	±2.5	MODEL QWCD35BT					
400~1000	±0.3	±0.8	±2	±4	DWG. NO. QWCD35BT_OUT						
FOR ANGULAR DIMENSIONS	0~10	±1°		±1°30'	±3°						
	10~50	±0°30'		±1°	±2°						
	50~120	±0°20'		±0°30'	±1°						
	120~400	±0°10'		±0°13'	±0°30'						
SCALE	SIZE	REV	SHEET								
1/1	A4	01	1/1								

1 2 3 4 5 6

A4(297X210)