

1 2 3 4 5 6

A

B

C

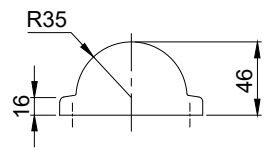
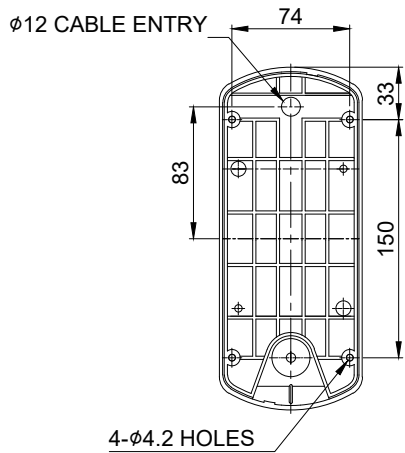
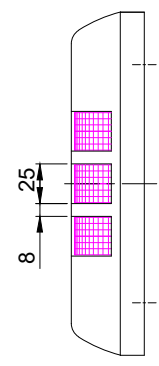
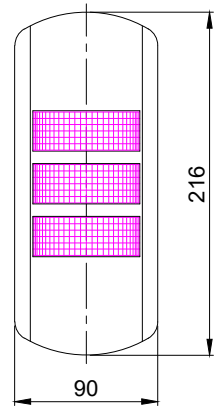
D

A

B

C

D



MARK	DATE	REVISION	REVISER	APP. BY
①				
②				
③				

MODEL NO		SWT				
MATERIAL		HOUSING-ABS				
		LENS-PC				
		COVER-ABS				
		FILTER LENS-PC				
COLOR OF LENS		RED(), AMBER(), GREEN()				
FLASHING PER MIN.		60 ~ 80				
USE VOLT.	LED	CURRENT	DC12V	0.08W	MAX. 0.130A	LAYER2
			DC24V			LAYER2
			AC110V		0.050A	LAYER2
			AC220V		0.025A	LAYER2
VOLUME		MAX. 90dB at 1m				
PROTECTION GRADE		WATER & DUST PROOF IP55				
CABLE ENTRY		φ12 LEAD HOLE				
COLOR OF HOUSING		MAKER STANDARD				
ACTION		LED STEADY/ FLASHING LIGHT				

FOR LINEAR DIMENSIONS	ISO2768-1 : CLASS OF TOLERANCE				
	f	m	Ⓢ	v	
0.5~3	±0.05	±0.1	±0.2	-	
3~6			±0.3	±0.5	
6~30	±0.1	±0.2	±0.5	±1	
30~120	±0.15	±0.3	±0.8	±1.5	
120~400	±0.2	±0.5	±1.2	±2.5	
400~1000	±0.3	±0.8	±2	±4	
FOR ANGULAR DIMENSIONS	0~10	±1°	±1°30'	±3°	
	10~50	±0°30'	±1°	±2°	
	50~120	±0°20'	±0°30'	±1°	
	120~400	±0°10'	±0°13'	±0°30'	

SURFACE FINISH		-		1		-	
Nr.	DWG. NO.	TITLE/ NAME		MAT'L	QT'Y	REFERENCE	
DSND BY	CHKD BY	CHKD BY	APRV BY	VIEW	DATE		
S.H.KIM	J.H.PARK		J.K.HAN	3	2019.03.20		
TITLE			SWT OUTLINE DRAWING		MODEL		
			SWT		SWT		
DWG. NO.			SWT_OUT				
SCALE	SIZE	REV	SHEET				
N/S	A4	00	1/1				



1 2 3 4 5 6

A4(297X210)