

# Waterproof LED Light Bars for Multi-use with Protection of IP67/IP69K

## QCML-7C

Waterproof LED light bar with 7 color configurations



QCML-7C

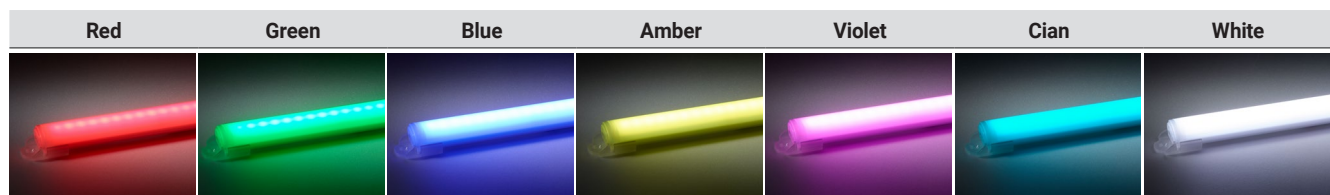
### PRODUCT SPECIFICATION

QCML-7C

**Materials** Lens-PC, Side cover-PC, Heatsink-Al, Bracket-PC  
**Ambient operating temperature** -20°C to +50°C  
**Protection rating** IP67/IP69K  
**Certificates** CE, UL, RU

- Save installation cost and space by utilizing this single LED light bar with 7 configurable colors
- Side cover and lens are integrated together with a multi silicon rubber sealing structure for superior protection from water
- Aesthetically pleasing with slim and compact housing
- Polycarbonate material provides superior heat and shock resistance
- Features great seal and durability in food processing, pharmaceutical, and beverage processing machine that needs high temperature wash down
- Detachable mounting bracket structure enables to adjust mounting hole space freely
- Protection rating: IP67, IP69K
- Standard entry cable included. Can customize the product with the M12 connector if requested(Female M12 connector is not provided)

### QCML-7C Waterproof LED Light Bars for Multi-use



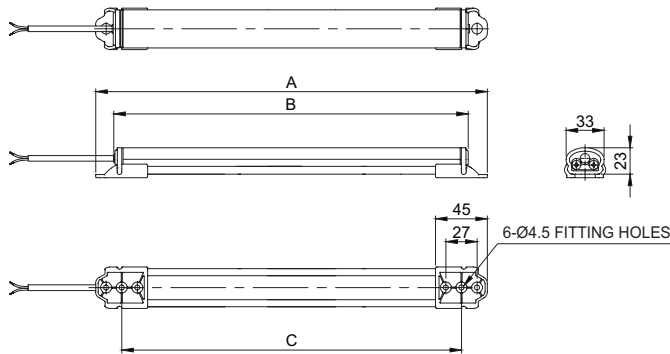
Optics Specifications								
Model number	QCML-200-7C	QCML-300-7C	QCML-400-7C	QCML-500-7C	QCML-600-7C	QCML-900-7C	QCML-1200-7C	QCML-1500-7C
Lens color	Translucent							
Light color/ Color temperature	Red	615-635 nm						
	Green	510-530 nm						
	Blue	445-475 nm						
	Amber	565-580 nm						
	Violet	455-480 nm						
	Cian	470-490 nm						
	White	5,500-7,000K						
Specifications								
Model number	QCML-200-7C	QCML-300-7C	QCML-400-7C	QCML-500-7C	QCML-600-7C	QCML-900-7C	QCML-1200-7C	QCML-1500-7C
Voltage	DC24V							
Range for operation voltage	DC21V-30V							
Power consumption	4.7W	5.6W	9.4W	10.3W	11.4W	17W	22.2W	28W
Insulation resistance	Min. 100MΩ(500V DC mega ohm meter)							
Withstanding voltage	DC: 500VAC, 60Hz, 1 minute							
Operating temperature	-20°C to +50°C							
Protection rating	IP67/IP69K							
Materials	Lens-PC, Side cover-PC, Heatsink-Al, Bracket-PC							
Certifications								
Weight(Approx.)	0.16kg	0.20kg	0.26kg	0.33kg	0.40kg	0.56kg	0.76kg	0.94kg

※ UL Listed: Cable Type only; UL Recognized Component (RU/UR): Cable Type and M12 connector type



## Technical Diagram

Units: mm

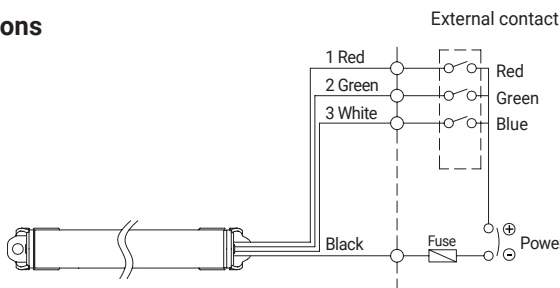


MODEL	A	B	C	D
QCML-200-7C	262	228	45~217	2
QCML-300-7C	362	328	45~317	2
QCML-400-7C	462	428	45~417	2
QCML-500-7C	562	528	45~517	2
QCML-600-7C	662	628	45~617	2
QCML-900-7C	962	928	45~917	3
QCML-1200-7C	1262	1228	45~1217	4
QCML-1500-7C	1562	1528	45~1517	4

D: Recommended quantity of mounting brackets

· External power line - UL2464-AWG22(0.3sqx4C) 450mm

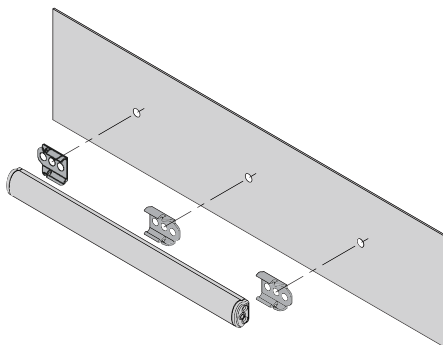
## Wiring Instructions



### Wiring Configuration for Signal Color

No.	Wiring	Action color
1	1(RED)	RED
2	2(GREEN)	GREEN
3	3(WHITE)	BLUE
4	1(RED)+2(GREEN)	AMBER
5	1(RED)+3(WHITE)	PURPLE
6	2(GREEN)+3(WHITE)	CYAN
7	1(RED)+2(GREEN)+3(WHITE)	WHITE

## Mounting Structure



- Adopts removable mounting bracket and sliding structure, adjustable mounting distance.
- Mounting bracket is arranged on edge or middle of body, in case of edge of body, mounting bracket space is kept.

Example for mounting outside

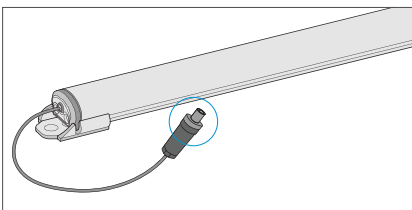


Example for mounting inside

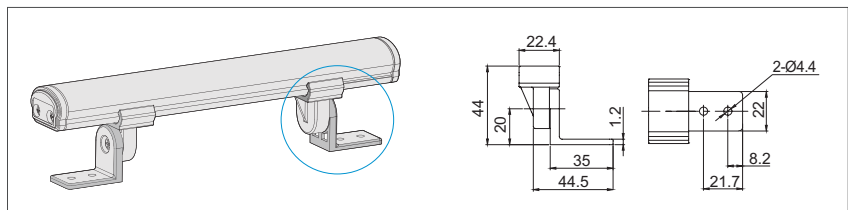


## Customization

- Cable end M12 connector attached type: Customized cable end M12 connector attached type available



- Foldable Bracket: Adjustable from 0° to 180° degrees



## Ordering Specification

<b>QCML</b>	-	<b>300</b>	-	<b>7C</b>	-	<b>24</b>
[Model number]		[Product length]		[Light color]		[Voltage]
QCML		200-228mm 300-328mm 400-428mm 500-528mm 600-628mm 900-928mm 1,200-1,228mm 1,500-1,528mm		7C-7 Color standard		24-DC24V