

QTC Series

Separate Color Filter Lens Inside the Outer Lens Helps to Provide a Clear Signal

PRODUCT SPECIFICATION

QTC Series

Materials Lens-PC, Filter lens-PC, Housing-ABS, Pole-Al
Ambient operating temperature -30°C to +50°C
Volume Max.85dB at 1m
Protection rating Standard type-IP65, Built-in buzzer type-IP54
Flashing rate 60-80/min
Compliant with RoHS directive

- Modular LED steady/flashing signal tower lights
- Added a separate color filter lens inside the outer lens to help provide a clear signal
- Can select from size selections of Ø50mm, Ø60mm and Ø70mm to fit your sophisticated application needs
- The addition of modules and change in color arrangement can be achieved without the use of tools by using the Lock-type structure
- QTCA type offers a nifty integrated lens and cover for a simple aesthetically pleasing product
- When it is turned off the translucent color filter provides comfortable viewing at close proximity for the operator
- A variety of Mounting bracket selections for the pole mount type to fit your location and mounting needs
- Standard model and built-in buzzer model can be used by selecting the specifications suitable for the operating environment.
- Available in customized 2 sound buzzer type and high volume(100dB) buzzer type
- Wired type and M12 connector type allow for a customized model that M12 connector can be attached at the end of wires.
- Transistors can be connected and can be operated on PLC directly



Each modular color lens can be added without additional tools

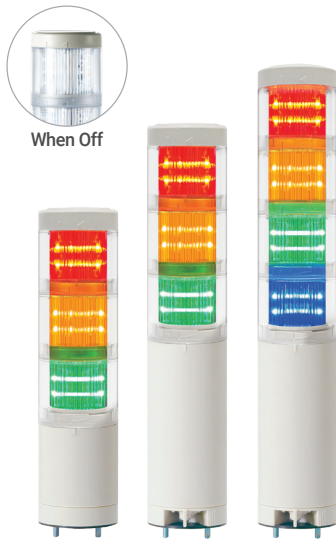


QTC model uses a special contact structure for stable operation, the lens modules lock into place by rotating the modular structures together. This allows for easy changes to the color arrangement without any tools. Additional modules can be added.



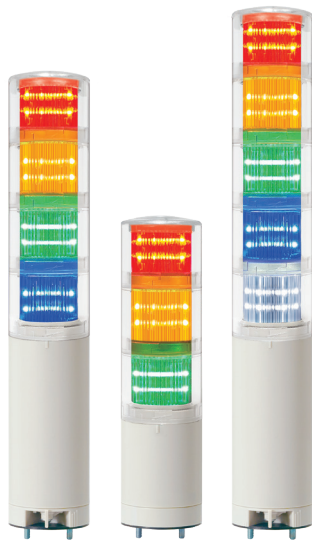
- 1 High volume buzzer(100dB) option can be fitted to the top of the product. (Customization)**
 High volume 100dB volume buzzer module fastened to the top of the product provides 360 degree buzzer signal output which cannot be achieved with the single directional buzzer.(Buzzer volume cannot be adjusted)
- 2 Integrated cover and lens model(QTCA50 / QTCA60 / QTCA70)**
 The sleek body cover and lens model is made of one piece for a simple unified look.
- 3 QTC Series Special Lens**
 QTC Series added a separate color filter lens inside the outer lens to help provide a clear signal.
- 4 Buzzer volume is adjusted via the volume control lever**
 QTC type volume can be adjusted for each specific working condition with the equipped buzzer volume control lever at the bottom of the product.(-BZ type)
- 5 M12 connector attached type**
 M12 connector is standard(Female M12 connector is not provided).
- 6 Can select from a variety of Mounting brackets option to fit your application needs and build environment**
 There are a variety of Mounting bracket options available depending on cost and installation requirements.

QTC50ML / QTC50L



When Off

QTC50ML Series



QTC50ML Series



High-volume buzzer module

QTC50ML Ø50mm Direct mount, LED Steady/Flashing

Model number	Layers	Voltage	Certificates	Weight	Color
QTC50ML Steady	1	DC12V		0.20kg	● R-Red
QTC50ML-BZ Steady w/built-in buzzer		DC24V		0.20kg	
		AC110V-220V		0.30kg	
QTC50MLF Steady/Flashing	2	DC12V		0.28kg	● R-Red ● G-Green
QTC50MLF-BZ Steady/Flashing w/ built-in buzzer		DC24V		0.28kg	
		AC110V-220V	0.38kg		
QTC50ML Steady	3	DC12V	CE	0.37kg	● R-Red ● A-Amber ● G-Green
QTC50ML-BZ Steady w/built-in buzzer		DC24V		0.37kg	
		AC110V-220V		0.47kg	
QTC50MLF Steady/Flashing	4	DC12V	UL	0.45kg	● R-Red ● A-Amber ● G-Green ● B-Blue
QTC50MLF-BZ Steady/Flashing w/ built-in buzzer		DC24V		0.45kg	
		AC110V-220V	0.55kg		
QTC50MLF Steady/Flashing	5	DC12V		0.54kg	● R-Red ● A-Amber ● G-Green ● B-Blue ○ W-White
QTC50MLF-BZ Steady/Flashing w/ built-in buzzer		DC24V		0.54kg	
		AC110V-220V		0.64kg	

※ AC type model has a free-voltage range of 100V-240V.

※ UL Listed: DC24V

Light source/buzzer current(based on 1 layer)

Voltage	DC12V	DC24V	AC110V-220V
Light source current(1 layer)	90mA	70mA	Max.55mA
Buzzer current	40mA	75mA	Max.55mA

Wiring Instructions

- External power line - UL1015 AWG18(0.75sq) x 2C 400mm
- External signal line - UL1007 AWG22(0.3sq) 400mm
- LED tower light can be wired by using transistor and External Contact

Customization

- DC24V voltage UL listed product
- M12 connector attached type
- 2 buzzer sound types : Both prolonged (beep, beep) and staccato (beep, beep, beep) buzzer output available
- Wall mount bracket options : Bracket structure allows for threading through the bracket hole or into the wall
- Top high-volume buzzer module mounted (lens limited to 4 layers or less)



Wall mount bracket TWS45



Wall mount bracket TWA45

Ordering Specification

QTC50ML	-	3	-	110/220	-	RAG
[Model number]		[Layers]		[Voltage]		[Color]
QTC50ML		1-1 Layer		12-DC12V		● R-Red
QTC50ML-BZ		2-2 Layers		24-DC24V		● A-Amber
QTC50MLF		3-3 Layers		110/220-AC110V-220V		● G-Green
QTC50MLF-BZ		4-4 Layers				● B-Blue
QTC50ML		5-5 Layers				○ W-White
QTC50ML-BZ						
QTC50MLF						
QTC50MLF-BZ						



QTC50L Ø50mm Pole mount, LED Steady/Flashing

Model number	Layers	Voltage	Certificates	Weight	Color
QTC50L Steady	1	DC12V	CE UL	0.35kg	● R-Red
QTC50L-BZ Steady w/built-in buzzer		DC24V		0.35kg	
		AC110V-220V		0.45kg	
QTC50LF Steady/Flashing	2	DC12V	CE UL	0.44kg	● R-Red ● G-Green
QTC50LF-BZ Steady/Flashing w/ built-in buzzer		DC24V		0.44kg	
		AC110V-220V		0.54kg	
QTC50L Steady	3	DC12V	CE UL	0.52kg	● R-Red ● A-Amber ● G-Green
QTC50L-BZ Steady w/built-in buzzer		DC24V		0.52kg	
		AC110V-220V		0.62kg	
QTC50LF Steady/Flashing	4	DC12V	CE UL	0.61kg	● R-Red ● A-Amber ● G-Green ● B-Blue
QTC50LF-BZ Steady/Flashing w/ built-in buzzer		DC24V		0.61kg	
		AC110V-220V		0.71kg	
QTC50L Steady	5	DC12V	CE UL	0.69kg	● R-Red ● A-Amber ● G-Green ● B-Blue ○ W-White
QTC50L-BZ Steady w/built-in buzzer		DC24V		0.69kg	
QTC50LF Steady/Flashing		AC110V-220V		0.79kg	

※ AC type model has a free-voltage range of 100V-240V.

※ UL Listed: DC24V

Light source/buzzer current(based on 1 layer)

Voltage	DC12V	DC24V	AC110V-220V
Light source current(1 layer)	90mA	70mA	Max.55mA
Buzzer current	40mA	75mA	Max.55mA

Wiring Instructions

- External power line - UL1015 AWG18(0.75sq) x 2C 400mm
- External signal line - UL1007 AWG22(0.3sq) 400mm
- LED tower light can be wired by using transistor and External Contact

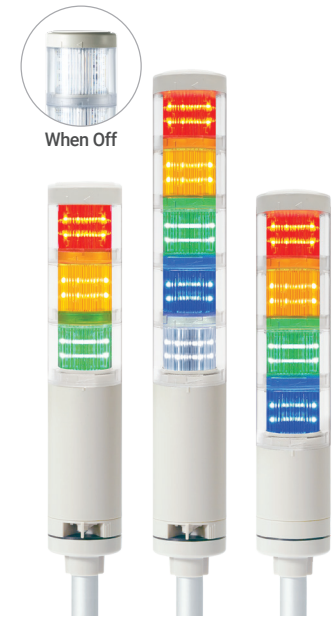
Mounting bracket

Standard	LB18	LW18	QZ18	SZ18	QL18	SL18
Steel	Steel	ABS	ABS	Al	ABS	Al

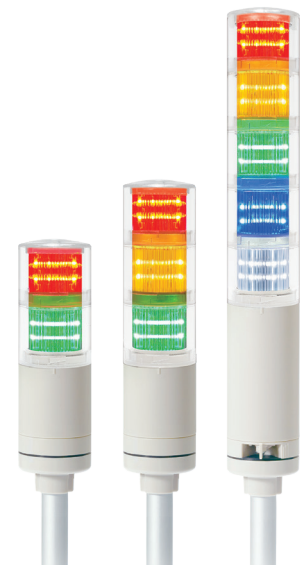
※ Please refer to [Tower Light Mounting bracket] on this catalogue for detailed dimensions

Ordering Specification

QTC50L	-	3	-	110/220	-	RAG	-	LW18
[Model number]		[Layers]		[Voltage]		[Color]		[Bracket]
QTC50L		1-1 Layer		12-DC12V		● R-Red		· None-Standard
QTC50L-BZ		2-2 Layers		24-DC24V		● A-Amber		· Bracket
QTC50LF		3-3 Layers		110/220-AC110V-220V		● G-Green		· LB18 -LW18
QTC50LF-BZ		4-4 Layers				● B-Blue		· QZ18 -SZ18
QTC50L		5-5 Layers				○ W-White		· QL18 -SL18
QTC50L-BZ								
QTC50LF								
QTC50LF-BZ								



QTC50L Series



QTC50L Series

Customization

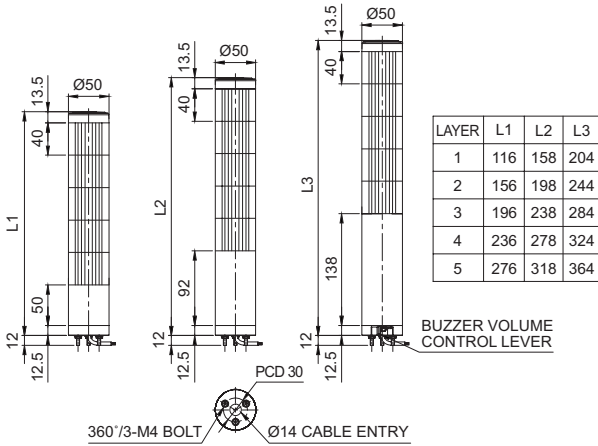
- 2 buzzer sound types : Both prolonged(beep, beep) and staccato(beep, beep, beep) buzzer output available
- DC24V voltage UL listed product
- M12 connector attached type
- Customized pole length available
- Top high-volume buzzer module mounted (lens limited to 4 layers or less)

QTC Series

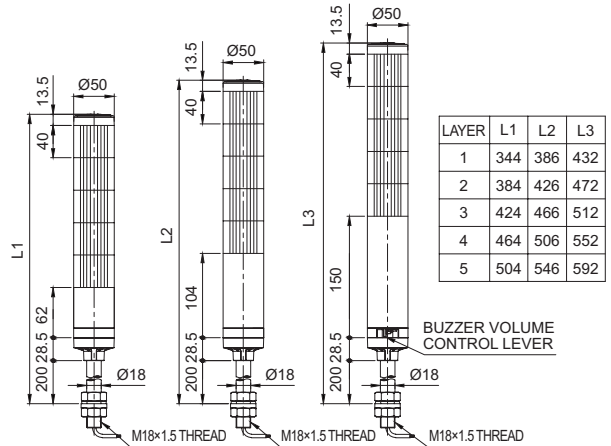
Technical Diagram

Units : mm

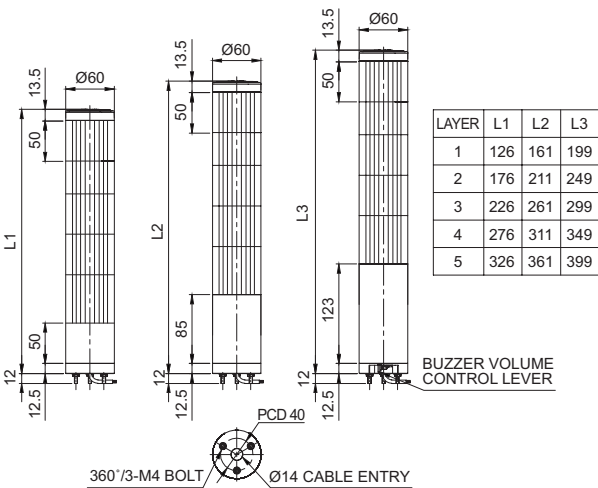
- QTC50ML-DC ·QTC50ML-AC ·QTC50MLF-AC
- QTC50MLF-DC ·QTC50MLF-BZ-DC ·QTC50ML-BZ-AC
- QTC50ML-BZ-DC ·QTC50MLF-BZ-AC



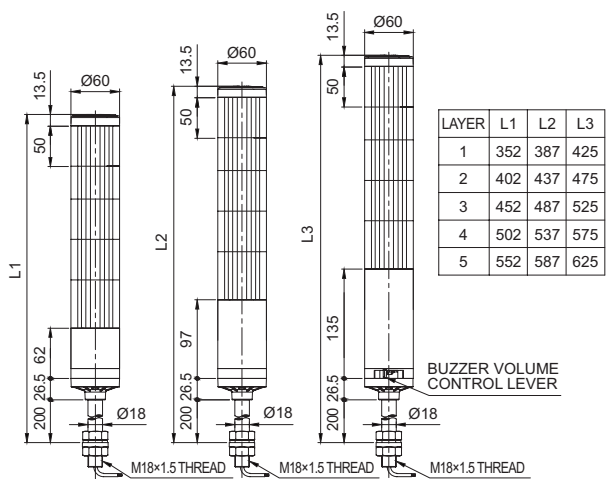
- QTC50L-DC ·QTC50L-AC ·QTC50LF-AC
- QTC50LF-DC ·QTC50LF-BZ-DC ·QTC50L-BZ-AC
- QTC50L-BZ-DC ·QTC50LF-BZ-DC ·QTC50LF-BZ-AC



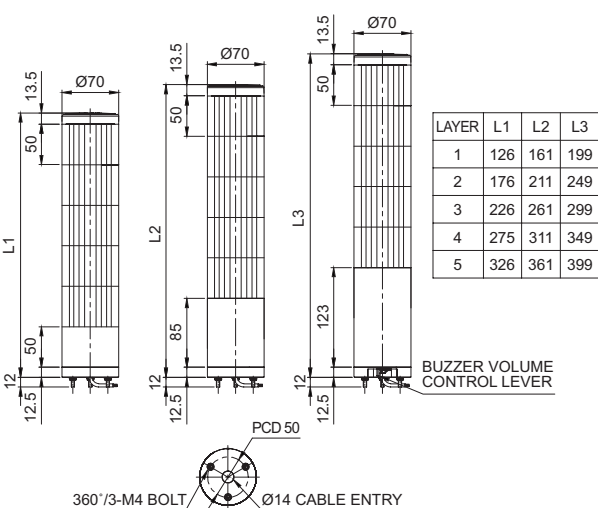
- QTC60ML-DC ·QTC60ML-AC ·QTC60MLF-AC
- QTC60MLF-DC ·QTC60MLF-BZ-DC ·QTC60ML-BZ-AC
- QTC60ML-BZ-DC ·QTC60MLF-BZ-AC



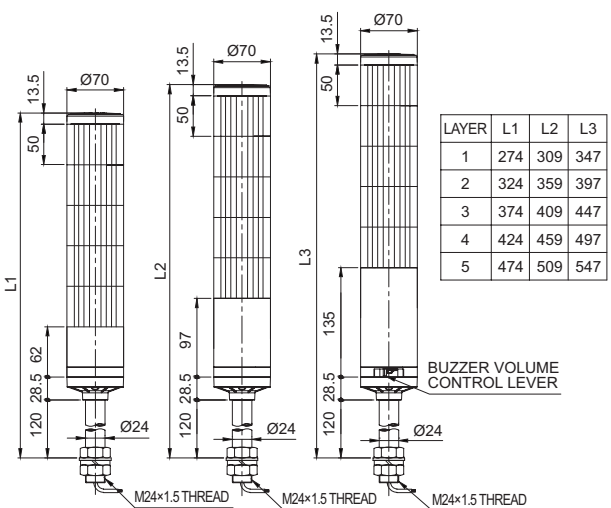
- QTC60L-DC ·QTC60L-AC ·QTC60LF-AC
- QTC60LF-DC ·QTC60LF-BZ-DC ·QTC60L-BZ-AC
- QTC60L-BZ-DC ·QTC60LF-BZ-AC



- QTC70ML-DC ·QTC70ML-AC ·QTC70MLF-BZ-AC
- QTC70MLF-DC ·QTC70MLF-AC ·QTC70ML-BZ-AC
- QTC70ML-BZ-DC ·QTC70ML-BZ-AC ·QTC70MLF-BZ-DC



- QTC70L-DC ·QTC70L-AC ·QTC70LF-BZ-AC
- QTC70LF-DC ·QTC70LF-AC ·QTC70L-BZ-DC
- QTC70L-BZ-DC ·QTC70LF-BZ-AC ·QTC70LF-BZ-DC



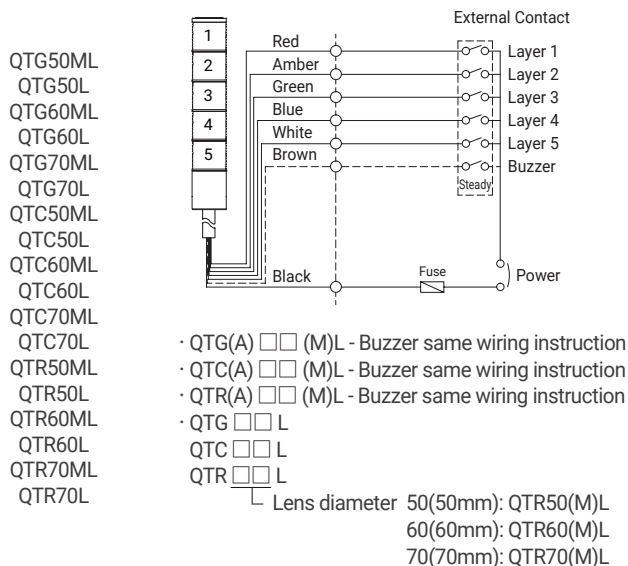
QTG / QTC / QTR Series

Wiring Instructions(using External Contact)

· In case of wiring with External Contacts, refer to the wiring diagrams below according to your product's type and voltage setting.

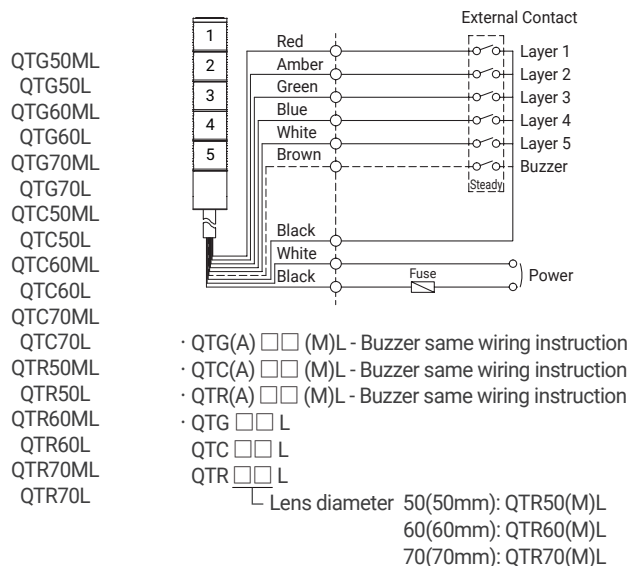
Wiring Instructions

DC Steady

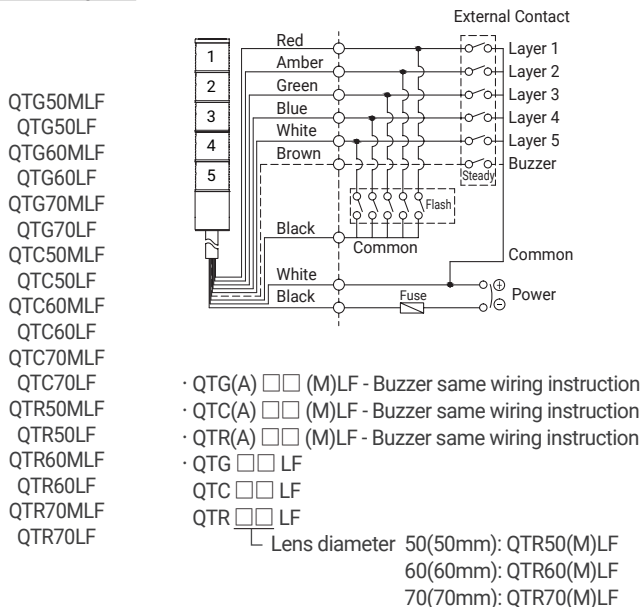


Wiring Instructions

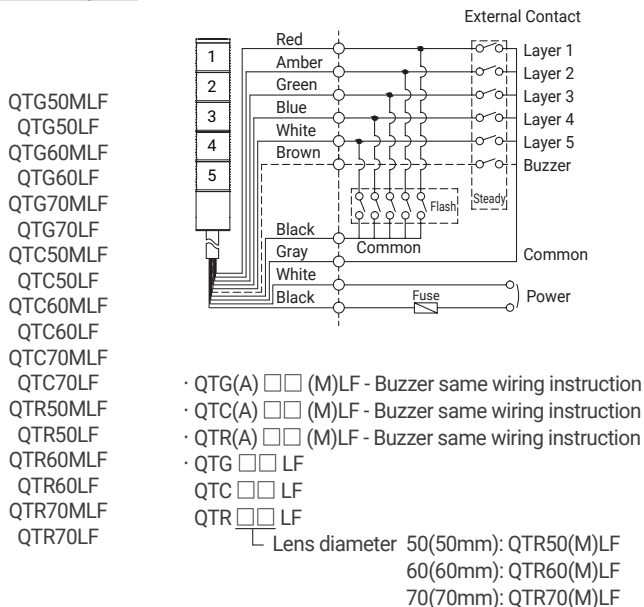
AC Steady



DC Steady/ Flashing



AC Steady/ Flashing



· DC steady type cable specification: External power line/External signal line - UL1007 AWG22(0.3sq) 400mm

· AC steady, AC/DC steady/flashing type cable specification: External power line - UL1015 AWG18(0.75sq) x 2C 400mm

External signal line - UL1007 AWG22(0.3sq) 400mm

QTG / QTC / QTR Series

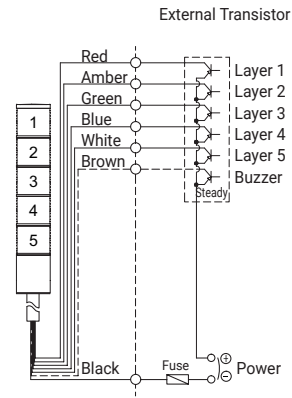
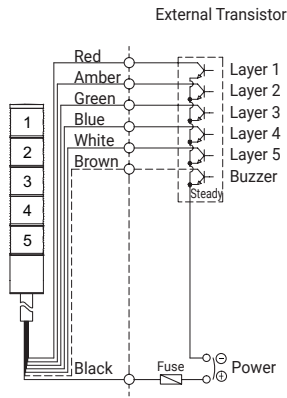
Wiring Instructions(using transistor)

· In case of wiring with transistors, please select the proper transistor type : either NPN or PNP based on the source voltage setting.

Wiring Instructions

DC Steady

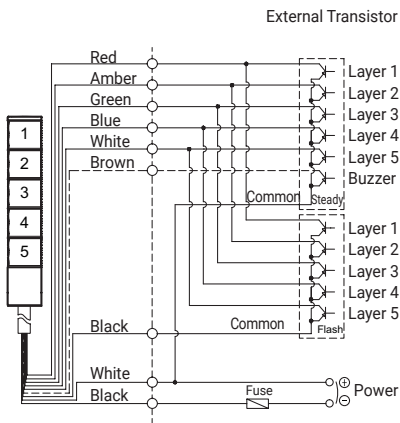
- QTG50ML
- QTG50L
- QTG60ML
- QTG60L
- QTG70ML
- QTG70L
- QTC50ML
- QTC50L
- QTC60ML
- QTC60L
- QTC70ML
- QTC70L
- QTR50ML
- QTR50L
- QTR60ML
- QTR60L
- QTR70ML
- QTR70L



- QTG(A) □□ (M)L - Buzzer same wiring instruction
- QTC(A) □□ (M)L - Buzzer same wiring instruction
- QTR(A) □□ (M)L - Buzzer same wiring instruction
- QTG □□ L
- QTC □□ L
- QTR □□ L
- └ Lens diameter 50(50mm): QTR50(M)L
- 60(60mm): QTR60(M)L
- 70(70mm): QTR70(M)L

DC Steady/ Flashing

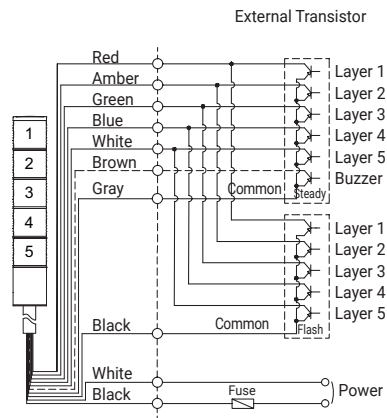
- QTG50MLF
- QTG50LF
- QTG60MLF
- QTG60LF
- QTG70MLF
- QTG70LF
- QTC50MLF
- QTC50LF
- QTC60MLF
- QTC60LF
- QTC70MLF
- QTC70LF
- QTR50MLF
- QTR50LF
- QTR60MLF
- QTR60LF
- QTR70MLF
- QTR70LF



- QTG(A) □□ (M)LF - Buzzer same wiring instruction
- QTC(A) □□ (M)LF - Buzzer same wiring instruction
- QTR(A) □□ (M)LF - Buzzer same wiring instruction
- QTG □□ LF
- QTC □□ LF
- QTR □□ LF
- └ Lens diameter 50(50mm): QTR50(M)LF
- 60(60mm): QTR60(M)LF
- 70(70mm): QTR70(M)LF

AC Steady/ Flashing

- QTG50MLF
- QTG50LF
- QTG60MLF
- QTG60LF
- QTG70MLF
- QTG70LF
- QTC50MLF
- QTC50LF
- QTC60MLF
- QTC60LF
- QTC70MLF
- QTC70LF
- QTR50MLF
- QTR50LF
- QTR60MLF
- QTR60LF
- QTR70MLF
- QTR70LF



- QTG(A) □□ (M)LF - Buzzer same wiring instruction
- QTC(A) □□ (M)LF - Buzzer same wiring instruction
- QTR(A) □□ (M)LF - Buzzer same wiring instruction
- QTG □□ LF
- QTC □□ LF
- QTR □□ LF
- └ Lens diameter 50(50mm): QTR50(M)LF
- 60(60mm): QTR60(M)LF
- 70(70mm): QTR70(M)LF

· DC steady type cable specification: External power line/External signal line - UL1007 AWG22(0.3sq) 400mm
 · AC steady, AC/DC steady/flashing type cable specification: External power line - UL1015 AWG18(0.75sq) x 2C 400mm
 External signal line - UL1007 AWG22(0.3sq) 400mm