

Ø150mm Large Sized Warning Lights

S150 Series



PRODUCT SPECIFICATION

S150U | 150ULR
S150U-FT | 150ULR-FT

Materials Lens-PC, Housing-ABS, Reflector-PC, Reflector-Heat resistant ABS, Mounting bracket-STS316L
Ambient operating temperature -20°C to +50°C
Volume Max.90dB at 1m
Protection rating IP44
Revolving speed 120-140RPM

- Special Power transmission system which allows low noise and less wear
- Mounting bracket allows convenient installation in case of XXX-FT type
- Can select between standard and built-in buzzer type depending on installation environment



S150U



S150ULR-FT

S150U / S150U-FT Bulb Revolving Warning Light

Model number	Voltage	Current	Bulb			Certificates	Weight	Color
			Spec	Standard	Parts no			
S150U	DC12V	1.5A	12V15W	G23 15S	17	CE	0.65kg	● R-Red
	DC24V	850mA	24V15W	G23 15S	18		0.65kg	● A-Amber
S150U-FT	AC110V	200mA	12V15W	G23 15S	17		1.04kg	● G-Green
	AC220V	100mA	12V15W	G23 15S	17		1.04kg	● B-Blue

· Suitable for Long distance signal transmission by adopting high capacity bulb and large sized reflector
 ※ CE compliant: DC12V, DC24V

S150ULR / S150ULR-FT LED Revolving Warning Lights

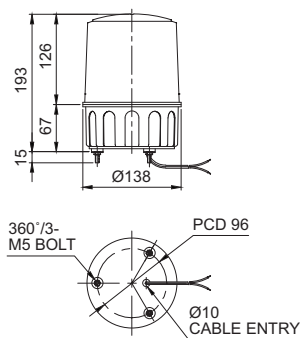
Model number	Voltage	Current	Certificates	Weight	Color
S150ULR	DC12V	520mA	-	0.66kg	● R-Red
	DC24V	260mA		0.66kg	● A-Amber
S150ULR-FT	AC110V	80mA		0.85kg	● G-Green
	AC220V	45mA		0.85kg	● B-Blue

· Excellent omni-directional visibility with LED light collecting system and special multifaceted reflector

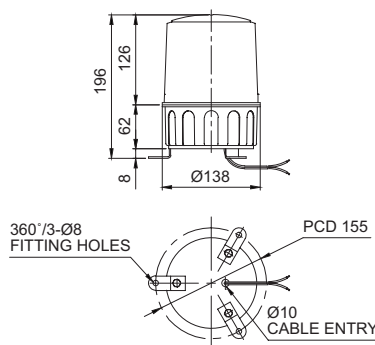
Technical Diagram

Units: mm

·S150U / S150ULR



·S150U-FT / S150ULR-FT



Wiring Instructions

- External Power line
UL1015 AWG18(0.75sq) x 2C 400mm
- DC Type
: Black output line is negative (-)
- S150U AC specifications:
110VAC model is connected to black and white wires while 220VAC model is connected to black and red wires.
- S150ULR AC specifications:
AC110V and AC220V can be selected with a built-in 110/220V switch.

Ordering Specification

S150U	-	BZ	-	220	-	R
[Model number]		[Buzzer option]		[Voltage]		[Color]
S150U		(None)		12-DC12V		● R-Red
S150U-FT		- No buzzer		24-DC24V		● A-Amber
S150ULR		BZ		110-AC110V		● G-Green
S150ULR-FT		- Built-in buzzer		220-AC220V		● B-Blue

Customization

- 2 buzzer sound types: Both prolonged (beep, beep) and staccato (beep, beep, beep) buzzer output available