

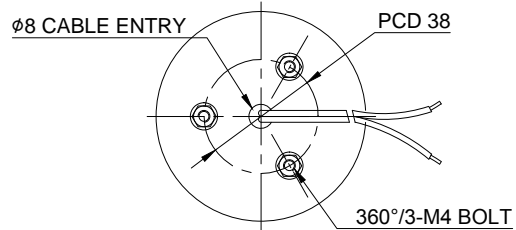
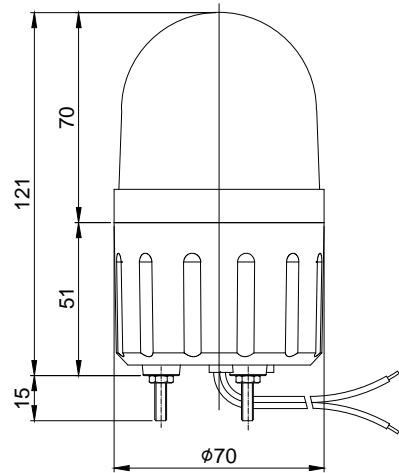
1 2 3 4 5 6

A

B

C

D



MARK	DATE	REVISION	REVISER	APP. BY
1				
2				
3				

MODEL NO		S60R			
MATERIAL		HOUSING-ABS			
		LENS-AS			
		REFLECTOR-HEAT RESISTING ABS			
COLOR OF LENS		RED(), AMBER(), GREEN(), BLUE()			
REV. PER MIN		120 ~ 140			
USE VOLT.	BULB	CURRENT	DC12V	5W	MAX. 0.484A
			DC24V		MAX. 0.310A
			AC110V		MAX. 0.072A
			AC220V		MAX. 0.036A
PROTECTION GRADE		WATER & DUST PROOF IP44			
CABLE ENTRY		phi 8 LEAD HOLE			
COLOR OF HOUSING		MAKER STANDARD			
ACTION		BULB REVOLVING WARNING LIGHT			

	ISO2768-1 : CLASS OF TOLERANCE					SURFACE FINISH
	f	m	⊙	v		
FOR LINEAR DIMENSIONS	0.5-3	±0.05	±0.1	±0.2	-	
	3-6			±0.3	±0.5	
	6-30	±0.1	±0.2	±0.5	±1	
	30-120	±0.15	±0.3	±0.8	±1.5	
	120-400	±0.2	±0.5	±1.2	±2.5	
	400-1000	±0.3	±0.8	±2	±4	
FOR ANGULAR DIMENSIONS	0-10	±1°		±1°30'	±3°	
	10-50	±0°30'		±1°	±2°	
	50-120	±0°20'		±0°30'	±1°	
	120-400	±0°10'		±0°13'	±0°30'	

Nr.	DWG. NO.	TITLE/ NAME	MAT'L	QTY	REFERENCE
DSND BY S.H.KIM	CHKD BY J.H.PARK	CHKD BY <i>J.H.PARK</i>	APRV BY J.K.HAN	VIEW 3	DATE 2016.08.30
TITLE S60R OUTLINE DRAWING			MODEL S60R		
		DWG. NO. S60R_OUT			
		SCALE N/S	SIZE A4	REV 00	SHEET 1/1