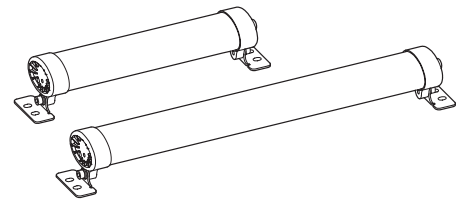
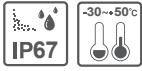


Water and Vibration Resistant LED Light Bars with IP67 Protection

QFL/ QFLC



Thank you for purchasing Qlight's products. Please read this user manual carefully prior to installation and operation to ensure safe and correct use.

⚠ Precautions for Safety

Failure to follow the instructions below may cause a loss of life or serious physical injury.

1. During wiring or maintenance, please completely turn off the power of the product. (Failure to follow this may lead to an electric shock.)
2. Do not install the product in locations that subjects it to excessive dust or water other than the conditions designated by the IP protection ratings indicated for each product. (Failure to follow these instructions may cause a fire to the product, electric shock, physical injury, malfunction or damage to the product.)
3. Do not alter or repair this product. If maintenance or repair service is required, please contact your local Qlight contact point. (Failure to follow these instructions may lead to fire, electric shock, or product damage.)
4. Please apply the correct voltage to the product. (Failure to follow these instructions may lead to fire, electric shock, or product damage.)
5. When the product is applied to a condition that may impact lives or property, please make sure to have a double safety device. (Failure to follow this may cause damage to property, fire, electric shock and loss of life.)

⚠ Precautions for Correct Use

Failure to follow the proper instructions may cause damage to property, the product, or malfunction of the product that would void the warranty.

1. Please remove any objects that can interrupt ventilation around the product.
2. Please turn off the power of the product immediately if it fails to operate properly.
3. Carefully wire the product according to each product's specification.
4. Please be careful in preventing chemicals such as thinner, benzene, etc. in contact with the surface of the product.
5. Do not apply excessive force/impact to the product.
6. Failure to follow any of the instructions above may cause malfunction or damage to the product, fire, and electric shock.

Ordering Specifications

QFL	-	200	-	24
[Model number]		[Product length]		[Voltage]
• QFL - Translucent lens • QFLC - Transparent lens		• 200 - 240mm • 300 - 340mm • 400 - 440mm • 500 - 540mm • 600 - 640mm • 1,200 - 1,190mm		• 24 - DC24V • 220 - AC220V (Except QFL(C)-200/300)



Please scan the QR code for more detailed product information.

www.qlight.com

Product Specifications

■ QFL - Optics Specifications

Model	QFL-200	QFL-300	QFL-400	QFL-500	QFL-600	QFL-1200	
Lens color	Translucent	Translucent	Translucent	Translucent	Translucent	Translucent	
Light color (Standard)	Cool daylight						
Color temperature (Standard)	6,000-7,000K						
Luminous flux	DC	350lm	680lm	900lm	1,400lm	1,700lm	3,400lm
	AC	-	-	1,200lm	1,800lm	2,200lm	4,400lm
Illumination (at 1m)	DC	140Lux	250Lux	380Lux	500Lux	600Lux	1,200Lux
	AC	-	-	450Lux	600Lux	800Lux	1,600Lux

■ QFL - General Product Specifications

Model	QFL-200	QFL-300	QFL-400	QFL-500	QFL-600	QFL-1200
Rated voltage	DC24V AC220V(Except QFL-200/300)					
Range for operation voltage	DC21.5V-26.5V/ AC198V-245V					
Power consumption	6W	10W	15W	20W	25W	50W
	-	-	25W	30W	35W	70W
Insulation resistance	Min. 100MΩ(500V DC mega ohm meter)					
Withstanding voltage	DC: 500VAC, 60Hz, 1 minute/AC: 1,500VAC, 60Hz, 1 minute					
Operating temperature	-30°C to +50°C					
Protection rating	IP67					
Materials	Lens-PC, Side Cover-Al, Heat sink-Al, Bracket-SPC-1					
Certificate	CE					
Weight(approx.)	0.44kg	0.51kg	0.66kg	0.74kg	0.85kg	1.38kg
	-	-	0.68kg	0.77kg	0.87kg	1.49kg

※ CE Compliant: DC24V (Except QFL-1200 DC24V)

■ QFLC - Optics Specifications

Model	QFLC-200	QFLC-300	QFLC-400	QFLC-500	QFLC-600	QFLC-1200	
Lens color	Transparent	Transparent	Transparent	Transparent	Transparent	Transparent	
Light color (Standard)	Cool daylight						
Color temperature (Standard)	6,000-7,000K						
Luminous flux	DC	400lm	800lm	1,200lm	1,500lm	2,000lm	4,200lm
	AC	-	-	1,400lm	2,000lm	2,500lm	5,000lm
Illumination (at 1m)	DC	150lux	300Lux	460Lux	600Lux	780Lux	1,500Lux
	AC	-	-	550Lux	800Lux	900Lux	1,800Lux

■ QFLC - General Product Specifications

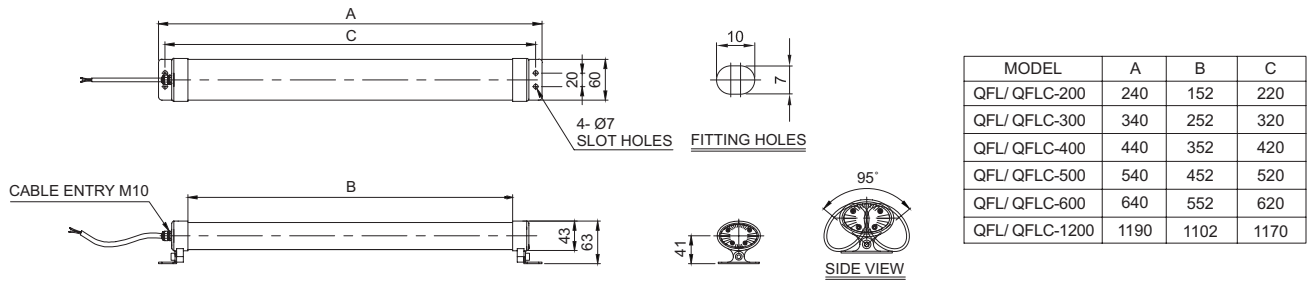
Model	QFLC-200	QFLC-300	QFLC-400	QFLC-500	QFLC-600	QFLC-1200
Rated voltage	DC24V AC220V(Except QFLC-200/300)					
Range for operation voltage	DC21.5V-26.5V/ AC198V-245V					
Power consumption	6W	10W	15W	20W	25W	50W
	-	-	25W	30W	35W	70W
Insulation resistance	Min. 100MΩ(500V DC mega ohm meter)					
Withstanding voltage	DC: 500VAC, 60Hz, 1 minute/AC: 1,500VAC, 60Hz, 1 minute					
Operating temperature	-30°C to +50°C					
Protection rating	IP67					
Materials	Lens-PC, Side Cover-Al, Heat sink-Al, Bracket-SPC-1					
Certificate	CE					
Weight(approx.)	0.44kg	0.51kg	0.66kg	0.74kg	0.85kg	1.38kg
	-	-	0.68kg	0.77kg	0.87kg	1.49kg

※ CE Compliant: DC24V (Except QFLC-1200 DC24V)

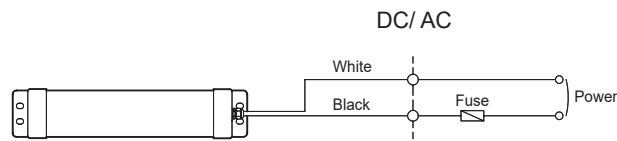
Dimensions

(Units : mm)

QFL/ QFLC-200/ 300/ 400/ 500/ 600/ 1200



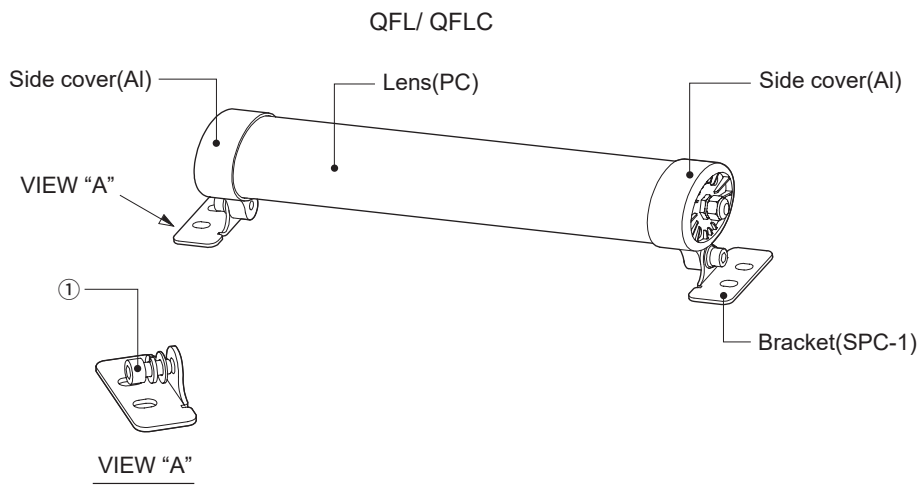
Wiring Instructions



- External power line Dura & Flex-FVU(0.5sq) x 2C 450mm
- This product can be wired regardless of polarity.
- When wiring the product, please ensure that the terminals are not exposed to coolant in order to prevent the bare wire from being contaminated.

Parts Definition

■ Parts Definition



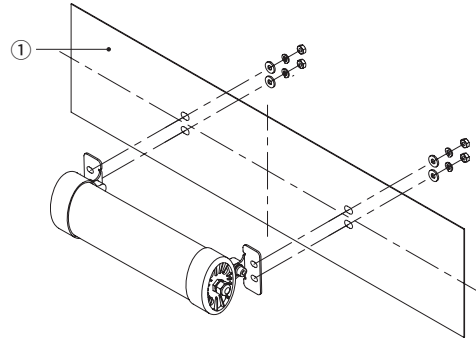
■ Bracket Adjustment

- When product angle adjustment is required, please loosen the bracket fixing bolt ① slightly and adjust the angle as desired. Please tighten back the bolt when done process.

Installation/ Mounting Hole Specifications

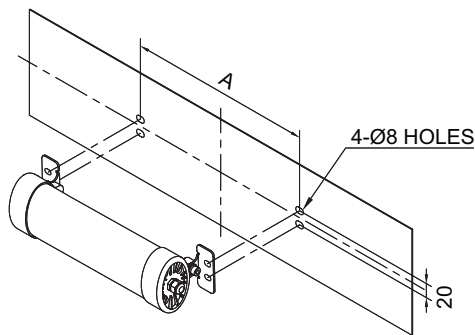
■ Installation

- First, machine taps or holes on the mounting surface ①.
- The mounting hole of this product is 7mm in diameter(long hole).
- When machining taps, fasten the bolt through the mounting hole of the product.
- When machining holes, insert the bolt through the hole of the product, and tighten the nut from the opposite side of the mounting surface.
(When assembling using bolt and nut, please make sure to use flat washer and spring washer.)



■ Mounting Hole Specifications

- Machine holes on the mounting surface referring to the diagram below.



QFL/ QFLC-200/ 300/ 400/ 500/ 600/ 1200

MODEL	A
QFL/ QFLC-200	220
QFL/ QFLC-300	320
QFL/ QFLC-400	420
QFL/ QFLC-500	520
QFL/ QFLC-600	620
QFL/ QFLC-1200	1170

Installation Environment and Protection Rating

- This product is designed for use with protection rating of IP67.
- If the product is installed in locations that subject it to excessive dust or water other than the designated IP protection rating indicated(IP67), it may cause malfunction or damage to the product.
- For further information, please visit our website(www.qlight.com).

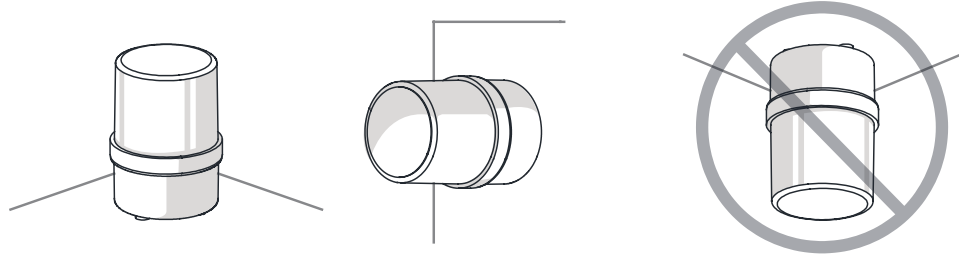
Product installation direction

- Install the product in accordance with the manual. Otherwise rainwater or moisture may penetrate into the product.

· BEACON/SIGNALING LIGHT

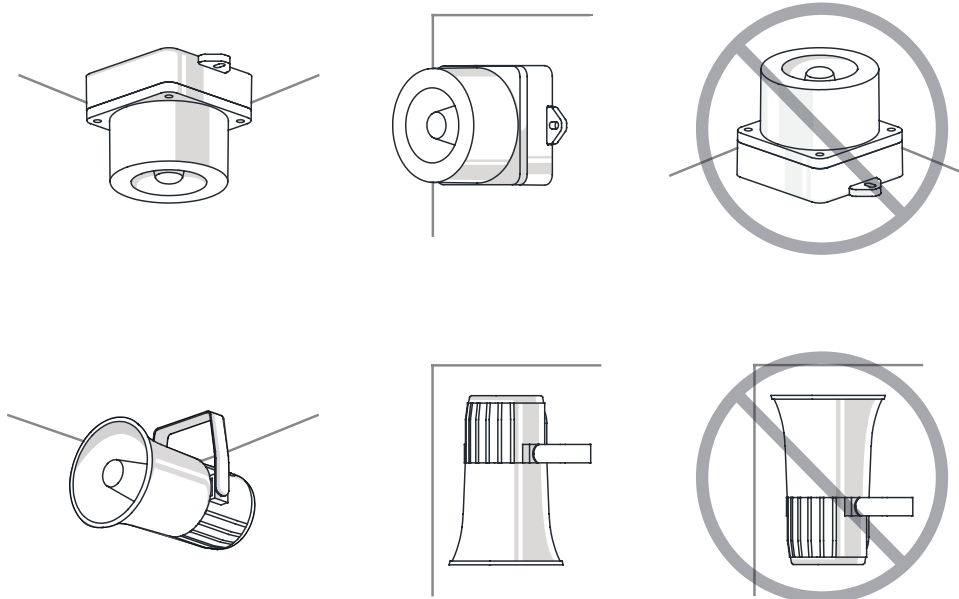
※ For products with a protection rating of less than IPX4, please install it vertically.

Power cord inlet part shall not be facing the sky.



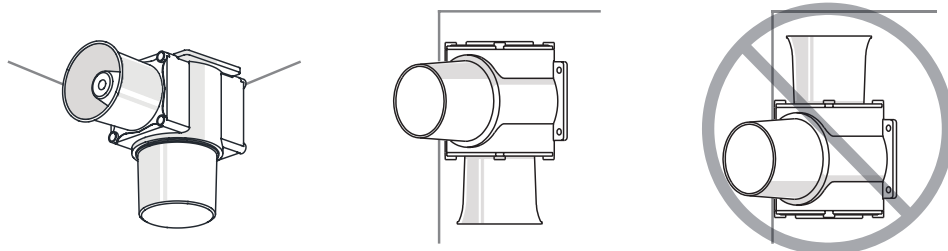
· ELECTRONIC SOUNDER/SIGNAL HORN

Sounder part shall not be facing the sky.



· HEAVY-DUTY & EXPLOSION PROOF SIGNALINGS

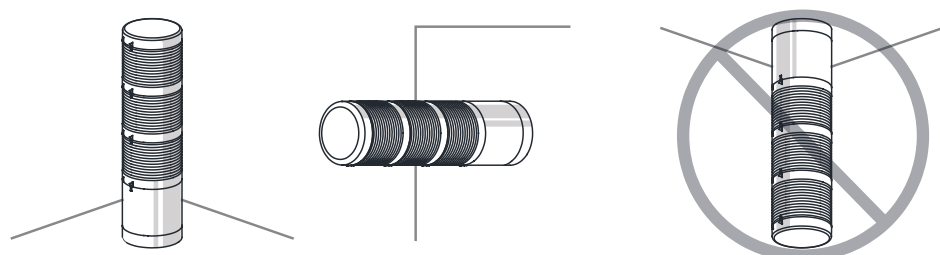
Sounder part shall not be facing the sky.



· SIGNAL TOWER LIGHTS

※ For products with a protection rating of less than IPX4, please install it vertically.

Power cord inlet part shall not be facing the sky.





For your safety

Specification and dimensions listed in this catalogue subject to change without notice for product quality improvement.
The newest product information is available on our website.(www.qlight.com)
Please read the instruction manual attached to the product carefully before installation and use.

Korea Corporation Qlight Co., Ltd. www.qlight.com | trade@qlight.com

Head Office | Suite #1510, STX-V Tower, 128 Gasan Digital 1-ro, Geumcheon-gu, Seoul, 08507, South Korea

Tel: +82-2-2679-6152 Fax: +82-2-2679-6154

Factory(Gimhae Production Headquarters) | 185-25, Mukbang-ro, Sangdong-myeon, Gimhae-si, Gyeongsangnam-do, 50805, South Korea

Tel: +82-55-328-1111

Overseas Sales Department | Qlight Building, 704 Nakdong-daero, Sasang-gu, Busan 47044, South Korea Tel: +82-51-620-4100

Busan Business Center | Qlight Building, 704 Nakdong-daero, Sasang-gu, Busan 47044, South Korea Tel: +82-51-245-0017

China Corporation SHANGHAI Qlight Electronic Co., Ltd. www.qlight.com www.qlightcn.com | qlightcn@qlight.com

Sales Corporation (Shanghai) | Room 333 Building B, No.11, Lane 450, Zhenda Road, Baoshan District, Shanghai, China

Tel: +86-21-6651-7100 Fax: +86-21-6315-3929

Manufacturing Corporation (Qidong) | No.33, Haiyan Road, Qidong High-tech Industrial Development Zone, Qidong, Jiangsu Province, China

Tel: +86-513-8384-9999 Fax: +86-513-8384-9910

Qlightec

Innovation in Alarm & Signal

Product Operation Inquiry / Customer Support +82-51-620-4100

You can expect prompt service if you have exact information such as model name, symptom, telephone number and address.

※ ALL PRODUCT, PRODUCT SPECIFICATIONS AND DATA ARE SUBJECT TO CHANGE WITHOUT NOTICE TO IMPROVE RELIABILITY, FUNCTION OR DESIGN OR OTHERWISE.

Head office : Suite #1510, STX-V Tower, 128 Gasan digital 1-ro, Geumcheon-gu, Seoul, Korea (Postal Code : 08507)

Factory : 185-25, Mukbang-Ro, Sangdong-Myeon, Gimhae-Si, Gyeongsangnam-Do, Korea (Postal Code : 50805)

www.qlight.com

EN - QFL-200 - 2604A