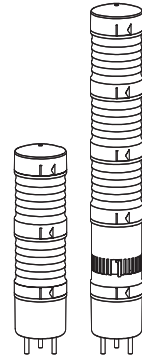
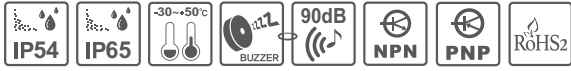


Modular Multi-Functional LED Tower Lights

QT50(M)L Series



Thank you for purchasing Qlight's products. Please read this user manual carefully prior to installation and operation to ensure safe and correct use.

⚠ Precautions for Safety

Failure to follow the instructions below may cause a loss of life or serious physical injury.

1. During wiring or maintenance, please completely turn off the power of the product. (Failure to follow this may lead to an electric shock.)
2. Do not install the product in locations that subjects it to excessive dust or water other than the conditions designated by the IP protection ratings indicated for each product. (Failure to follow these instructions may cause a fire to the product, electric shock, physical injury, malfunction or damage to the product.)
3. Do not alter or repair this product. If maintenance or repair service is required, please contact your local Qlight contact point. (Failure to follow these instructions may lead to fire, electric shock, or product damage.)
4. Please apply the correct voltage to the product. (Failure to follow these instructions may lead to fire, electric shock, or product damage.)
5. When the product is applied to a condition that may impact lives or property, please make sure to have a double safety device. (Failure to follow this may cause damage to property, fire, electric shock and loss of life.)

⚠ Precautions for Correct Use

Failure to follow the proper instructions may cause damage to property, the product, or malfunction of the product that would void the warranty.

1. Please remove any objects that can interrupt ventilation around the product.
2. Please turn off the power of the product immediately if it fails to operate properly.
3. Carefully wire the product according to each product's specification.
4. Please be careful in preventing chemicals such as thinner, benzene, etc. in contact with the surface of the product.
5. Do not apply excessive force/impact to the product.
6. Failure to follow any of the instructions above may cause malfunction or damage to the product, fire, and electric shock.

Ordering Specifications

• QT50(M)L

QT50L	3	24	RAG	QZ18
[Model number]	[Layer]	[Voltage]	[Color]	[Mounting option]
• QT50L	• Layer1-1	• 12-DC12V	R-Red	• (None)
• QT50LF	• Layer2-2	• 24-DC24V	A-Amber	- Standard type
• QT50ML	• Layer3-3	• 110-AC110V	G-Green	• Mounting type
• QT50MLF	• Layer4-4	• 220-AC220V	B-Blue	- LB18 - LW18
	• Layer5-5		W-White	- QZ18 - SZ18
				- QL18 - SL18

• QT50(M)L-BZ

QT50L-BZ	3	24	RAG	QZ18
[Model number]	[Layer]	[Voltage]	[Color]	[Mounting option]
• QT50L-BZ	• Layer1-1	• 12-DC12V	R-Red	• (None)
• QT50LF-BZ	• Layer2-2	• 24-DC24V	A-Amber	- Standard type
• QT50ML-BZ	• Layer3-3	• 110-AC110V	G-Green	• Mounting type
• QT50MLF-BZ	• Layer4-4	• 220-AC220V	B-Blue	- LB18 - LW18
				- QZ18 - SZ18
				- QL18 - SL18



Please scan the QR code for more detailed product information.

www.qlight.com

Product Specifications

• QT50L

Model number	Layer	Voltage	Certificate	Weight	Color
QT50L QT50LF	1	DC12V DC24V AC110V AC220V	CE	0.25kg 0.25kg 0.26kg 0.26kg	R-Red
	2	DC12V DC24V AC110V AC220V		0.30kg 0.30kg 0.31kg 0.31kg	R-Red G-Green
	3	DC12V DC24V AC110V AC220V		0.34kg 0.34kg 0.35kg 0.35kg	R-Red A-Amber G-Green
	4	DC12V DC24V AC110V AC220V		0.38kg 0.38kg 0.39kg 0.39kg	R-Red A-Amber G-Green B-Blue
	5	DC12V DC24V AC110V AC220V		0.43kg 0.43kg 0.44kg 0.44kg	R-Red A-Amber G-Green B-Blue W-White

※ CE compliant : DC12V, DC24V, AC220V

Light source current(1 layer)				
Voltage condition	DC12V	DC24V	AC110V	AC220V
Light source current (1 layer)	100mA	55mA	25mA	25mA

• QT50ML

Model number	Layer	Voltage	Certificate	Weight	Color
QT50ML QT50MLF	1	DC12V DC24V AC110V AC220V	CE	0.10kg 0.10kg 0.11kg 0.11kg	R-Red
	2	DC12V DC24V AC110V AC220V		0.14kg 0.14kg 0.15kg 0.15kg	R-Red G-Green
	3	DC12V DC24V AC110V AC220V		0.19kg 0.19kg 0.20kg 0.20kg	R-Red A-Amber G-Green
	4	DC12V DC24V AC110V AC220V		0.23kg 0.23kg 0.24kg 0.24kg	R-Red A-Amber G-Green B-Blue
	5	DC12V DC24V AC110V AC220V		0.27kg 0.27kg 0.28kg 0.28kg	R-Red A-Amber G-Green B-Blue W-White

※ CE compliant : DC12V, DC24V, AC220V

Light source current(1 layer)				
Voltage condition	DC12V	DC24V	AC110V	AC220V
Light source current (1 layer)	100mA	55mA	25mA	25mA

• QT50L-BZ

Model number	Layer	Voltage	Certificate	Weight	Color
QT50L-BZ QT50LF-BZ (Max.90dB)	1	DC12V DC24V AC110V AC220V	CE	0.32kg 0.32kg 0.33kg 0.33kg	R-Red
	2	DC12V DC24V AC110V AC220V		0.37kg 0.37kg 0.38kg 0.38kg	R-Red G-Green
	3	DC12V DC24V AC110V AC220V		0.41kg 0.41kg 0.42kg 0.42kg	R-Red A-Amber G-Green
	4	DC12V DC24V AC110V AC220V		0.45kg 0.45kg 0.46kg 0.46kg	R-Red A-Amber G-Green B-Blue

※ CE compliant : DC12V, DC24V, AC220V

Light source/buzzer current(based on 1 layer)				
Voltage condition	DC12V	DC24V	AC110V	AC220V
Light source current (1 layer)	100mA	55mA	25mA	25mA
Buzzer current	30mA	55mA	110mA	130mA

• QT50ML-BZ

Model number	Layer	Voltage	Certificate	Weight	Color
QT50ML-BZ QT50MLF-BZ (Max.90dB)	1	DC12V DC24V AC110V AC220V	CE	0.17kg 0.17kg 0.18kg 0.18kg	R-Red
	2	DC12V DC24V AC110V AC220V		0.21kg 0.21kg 0.22kg 0.22kg	R-Red G-Green
	3	DC12V DC24V AC110V AC220V		0.25kg 0.25kg 0.26kg 0.26kg	R-Red A-Amber G-Green
	4	DC12V DC24V AC110V AC220V		0.30kg 0.30kg 0.31kg 0.31kg	R-Red A-Amber G-Green B-Blue

※ CE compliant : DC12V, DC24V, AC220V

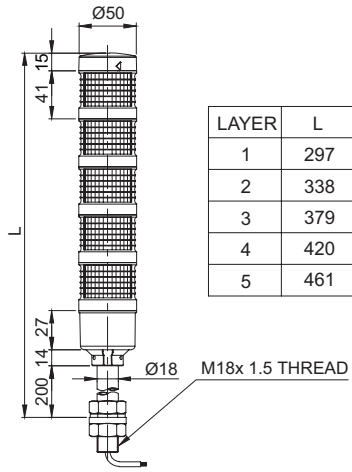
Light source/buzzer current(based on 1 layer)				
Voltage condition	DC12V	DC24V	AC110V	AC220V
Light source current (1 layer)	100mA	55mA	25mA	25mA
Buzzer current	30mA	55mA	110mA	130mA

• **Protection rating** : IP65(QT50L, QT50ML)

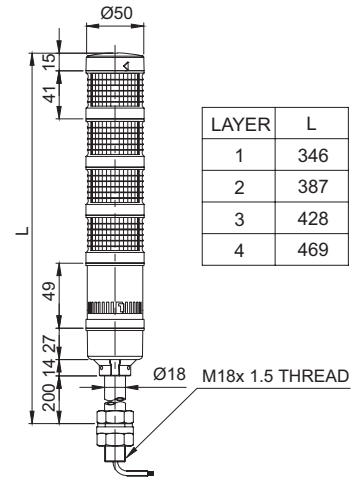
IP54(QT50L-BZ, QT50ML-BZ)

• **Ambient operating temperature**: -30°C to +50°C

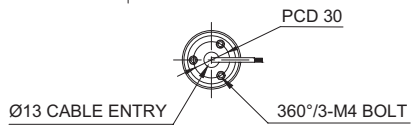
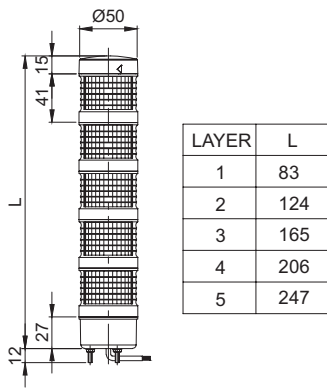
QT50L



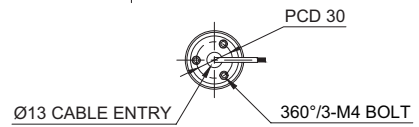
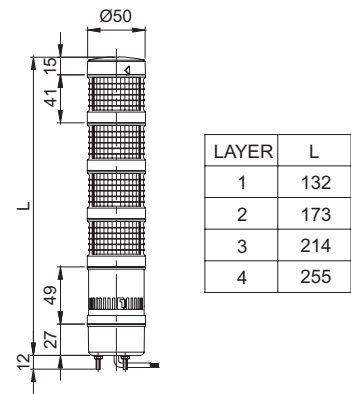
QT50L-BZ



QT50ML



QT50ML-BZ



Wiring Instructions

■ Wiring using external contact

- In case of wiring with external contacts, refer to the wiring diagrams below according to your product's type and voltage setting.

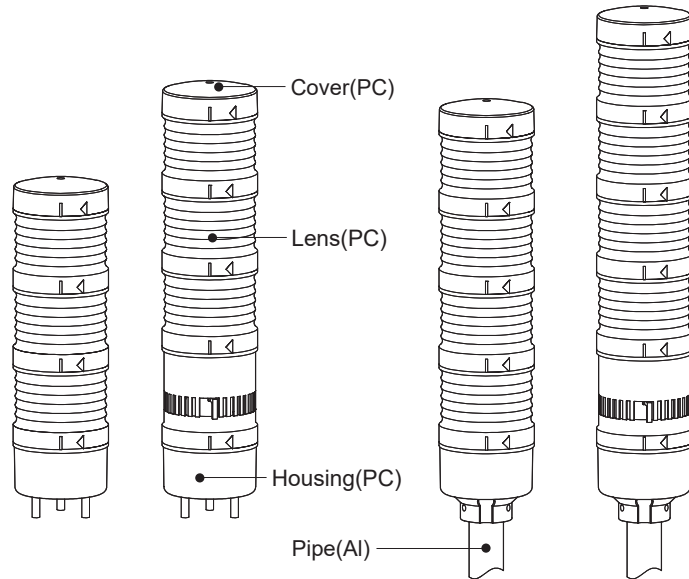
	Wiring instructions		Wiring instructions
DC/AC standard		DC/AC buzzer	
QT50ML(F) QT50MLS(DC only) QT50MLR(DC only) QT50L(F) QT50LS(DC only) QT50LR(DC only)		QT50ML(F)-BZ QT50MLS-BZ(DC only) QT50MLR-BZ(DC only) QT50L(F)-BZ QT50LS-BZ(DC only) QT50LR-BZ(DC only)	

■ Wiring using transistor

- When using a transistor, please choose between the NPN or PNP type transistor which best matches the voltage and product type, then connect them correctly according to the wiring diagrams below.

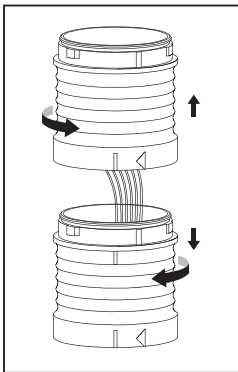
	Wiring instructions	
DC standard		
QT50ML(F) QT50MLS QT50MLR QT50L(F) QT50LS QT50LR		
DC buzzer		
QT50ML(F)-BZ QT50MLS-BZ QT50MLR-BZ QT50L(F)-BZ QT50LS-BZ QT50LR-BZ		

- DC steady/flashing type cable specification: External signal line - UL1007 AWG22(0.3sq) 400mm.
- AC steady/flashing type cable specification : External signal line - UL1007 AWG22(0.3sq) 400mm

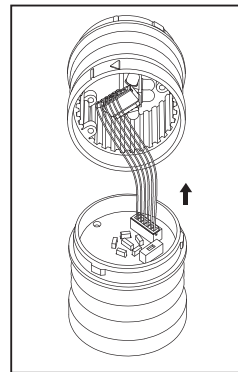


How to replace the module / Light Function Selection

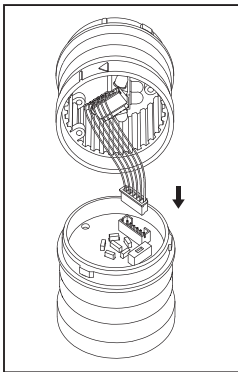
How to replace the module



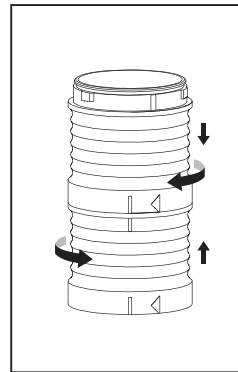
- Disassembling the module
- ① Twist the upper module kit in a counterclockwise direction so the "□" mark from both kits align.
- ② Disassemble by removing the upper module kit from the lower one.



- How to disassemble the connector
- ① Disassemble the connector of the upper lens and the connector of the lower lens in the direction of the arrow.

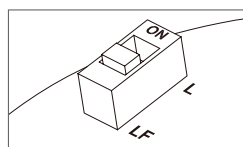
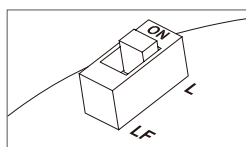
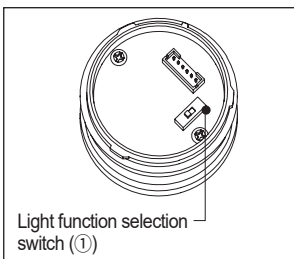


- How to assemble the connector
- ① Assemble the connector of the upper lens and the connector of the lower lens in the direction of the arrow.



- Assembling the module
- ① Put the two module together by aligning the upper module' "□" mark and the lower module' "□" mark together.
- ② Lock the two kits by twisting the upper module kit in a clockwise direction so the upper module' "◁" mark aligns with the lower module' "□" mark.

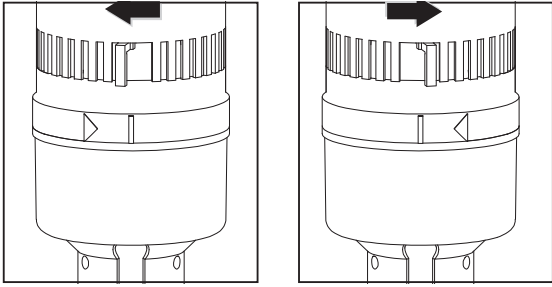
Light function selection



- Please refer to the instruction below to use light function selection switch(1) located inside the product.
- Default function is set at steady LED. Select the desired function for your application during installation.

Buzzer Volume Adjustment Instructions

※ Built-in sounder type can't control the sound volume.



Buzzer volume is reduced by sliding the volume control lever to the left as show in the diagram.

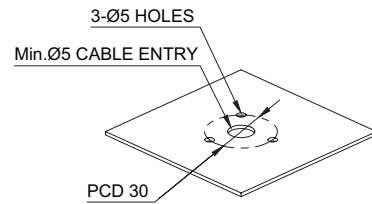
(Min.65±4dB/m)

Raise/ Increase the buzzer volume by sliding the control lever to the right as shown in the diagram.

(Max.90±4dB/m)

Mounting Hole Specifications

- ① Machine holes on the mounting surface referring to the diagram below.



- ② Remove the flange nuts from bolts and place the product through the mounting surface holes.
- ③ Fasten the flange nuts on the opposite side of the mounting surface until the product is tightened securely.

Installation Environment and Protection Rating

- This product is designed for indoor use with protection rating of IP65(standard type) or IP54(buzzer type).
- If the product is installed in locations that subject it to excessive dust or water other than the designated IP protection rating indicated, it may cause malfunction or damage to the product.
- For further information, please visit our website (www.qlight.com).

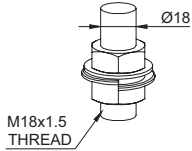
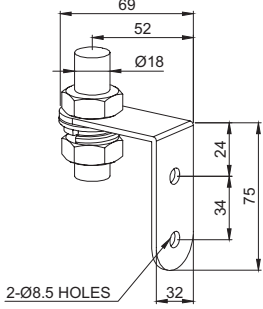
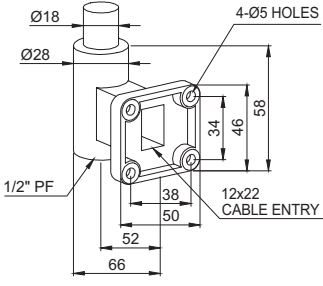
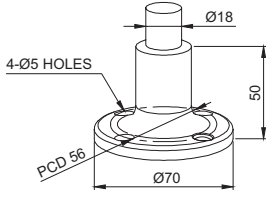
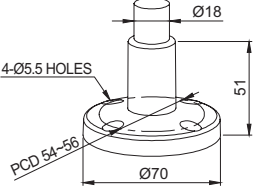
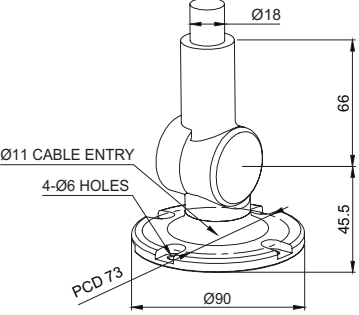
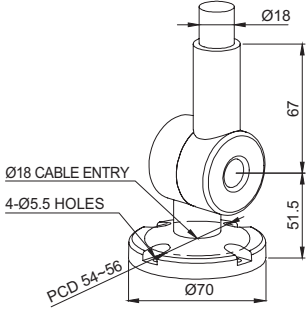
Mounting Accessories (Sold Separately)

- Please refer to the dimensions below for installation of mounting brackets

■ QT50ML/ QT50MLF - Direct Mounting Type Model

	Dimensions	
QT50ML series	<p>TWS45</p>	<p>TWA45</p>

■ QT50L- Pole Mounting Type Model

Dimensions	
<p>QT50L series</p>  <p>M18x1.5 THREAD</p> <p>Ø18</p>	 <p>69 52 Ø18 24 34 75 32 2-Ø8.5 HOLES</p>
<p>18mm SCREW & NUT</p>	<p>LB18</p>
 <p>Ø18 Ø28 4-Ø5 HOLES 1/2" PF 12x22 CABLE ENTRY 38 50 52 66 34 46 58</p>	 <p>Ø18 4-Ø5 HOLES PCD 56 Ø70 50</p>
<p>LW18</p>	<p>SZ18</p>
 <p>Ø18 4-Ø5.5 HOLES PCD 54-56 Ø70 51</p>	 <p>Ø18 Ø11 CABLE ENTRY 4-Ø6 HOLES PCD 73 Ø90 66 45.5</p>
<p>QZ18</p>	<p>SL18</p>
 <p>Ø18 Ø18 CABLE ENTRY 4-Ø5.5 HOLES PCD 54-56 Ø70 67 51.5</p>	
<p>QL18</p>	



For your safety

Specification and dimensions listed in this catalogue subject to change without notice for product quality improvement.
The newest product information is available on our website.(www.qlight.com)
Please read the instruction manual attached to the product carefully before installation and use.

Qlight Co., Ltd. www.qlight.com | trade@qlight.com

Head Office | Suite #1510, STX-V Tower, 128 Gasan Digital 1-ro, Geumcheon-gu, Seoul, 08507, South Korea

Tel: +82-2-2679-6152 (Toll-free: +82-80-328-2222) Fax: +82-2-2679-6154

Factory(Gimhae Production Headquarters) | 185-25, Mukbang-ro, Sangdong-myeon, Gimhae-si, Gyeongsangnam-do, 50805, South Korea

Tel: +82-55-328-1111 (Toll-free: +82-80-328-1111)

Overseas Sales Dept. | 704 Nakdong-daero, Sasang-gu, Busan 47044, South Korea(Eomgung-dong) Tel: +82-51-620-4100

Busan Business Center | 704 Nakdong-daero, Sasang-gu, Busan 47044, South Korea(Eomgung-dong) Tel: +82-51-245-0017

SHANGHAI Qlight Electronic Co., Ltd. www.qlight.com www.qlightcn.com | qlightcn@qlight.com

China Corporation (Shanghai) | #Room 333 Building B, #11, Lane 450, Zhenda Road, Baoshan District, Shanghai, China

Tel: +86 - 21 - 6651 - 7100 Fax: +86 - 21 - 6315 - 3929

China Factory (Qidong) | #33, Haiyan Road, Qidong High-tech Industrial Development Zone, Qidong, Jiangsu Province, China

Tel: +86- 513- 8384- 9999 Fax: +86- 513- 8384- 9910

Qlightec

Innovation in Alarm & Signal

Product Operation Inquiry / Customer Support +82-51-620-4100

You can expect prompt service if you have exact information such as model name, symptom, telephone number and address.

※ ALL PRODUCT, PRODUCT SPECIFICATIONS AND DATA ARE SUBJECT TO CHANGE WITHOUT NOTICE TO IMPROVE RELIABILITY, FUNCTION OR DESIGN OR OTHERWISE.

Head office : Suite #1510, STX-V Tower, 128 Gasan digital 1-ro, Geumcheon-gu, Seoul, Korea (Postal Code : 08507)

Factory : 185-25, Mukbang-Ro, Sangdong-Myeon, Gimhae-Si, Gyeongsangnam-Do, Korea (Postal Code : 50805)

www.qlight.com

EN - QT50L - 2602A