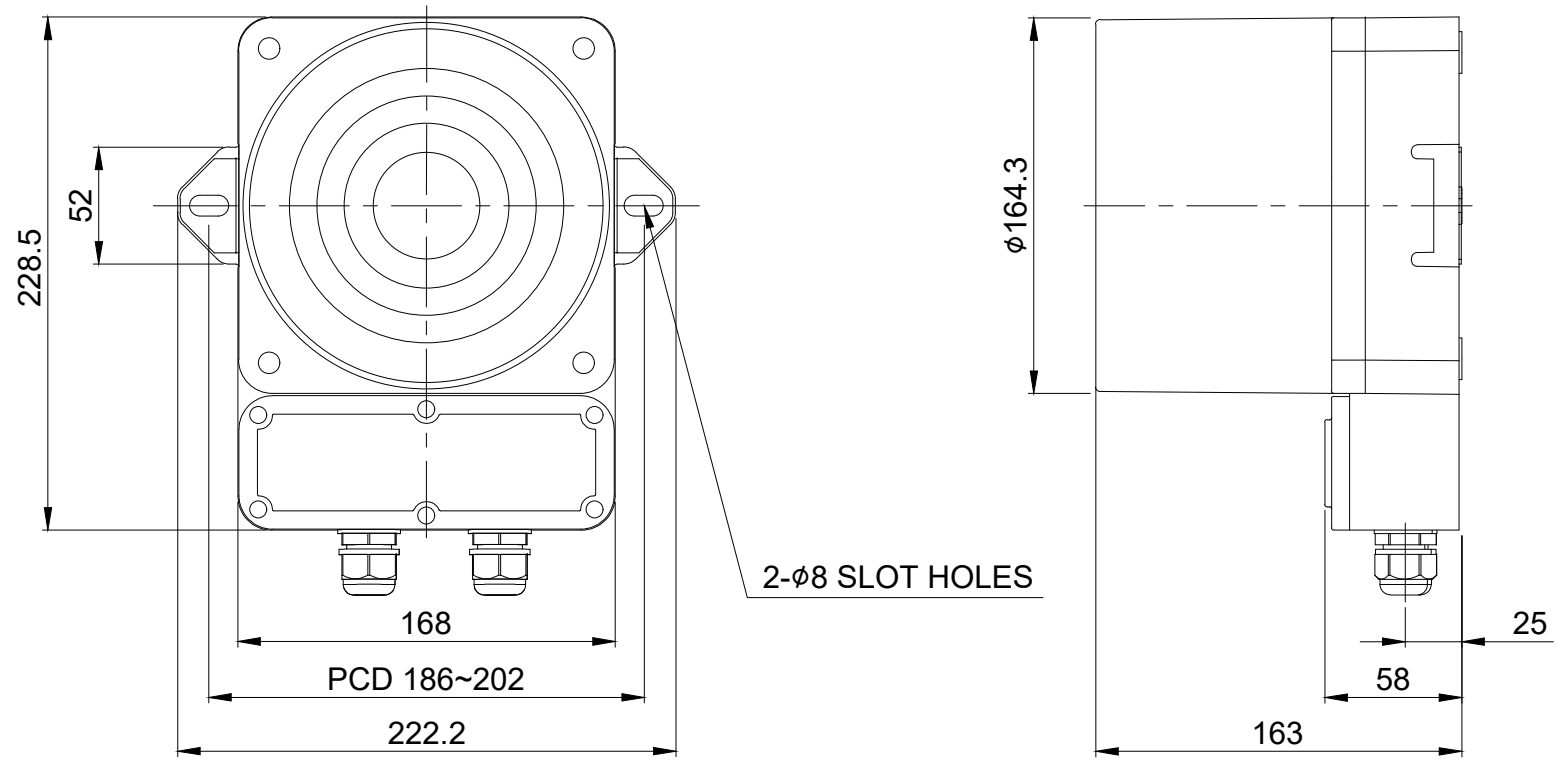


1 2 3 4 5 6

A

A

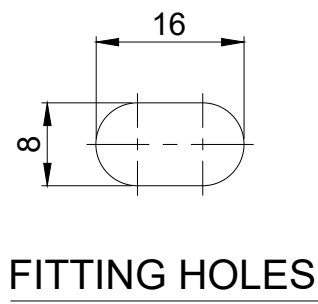
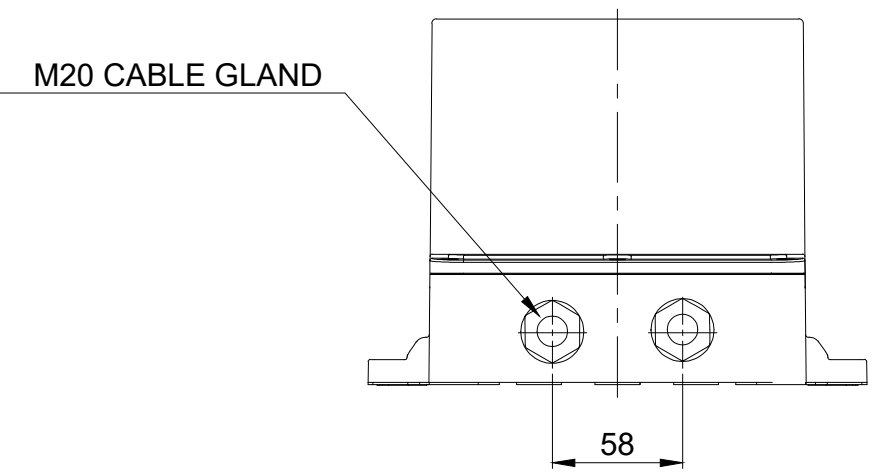


MARK	DATE	REVISION	REVISER	APP .BY
①				
②				
③				

MODEL NO		QWH50-TI	
MATERIAL		HORN-PC HOUSING-PC+ABS	
USE VOLT.	CURRENT	DC12V ~ 24V	MAX. 3.520A
		AC110V ~ 220V	MAX. 0.480A
CHANNEL		BINARY INPUT	31CH
KIND OF SOUND	VOLUME	WARNING SOUNDS 31Ch	MAX. 123dB at 1m
PROTECTION GRADE		WATER & DUST PROOF - IP66	
CABLE ENTRY		M20 CABLE GLAND x 2	
COLOR OF HOUSING		MAKER STANDARD	

B

B



C

C

D

D

	ISO2768-1 : CLASS OF TOLERANCE					SURFACE FINISH
		f	m	Ⓢ	v	
FOR LINEAR DIMENSIONS	0.5~3	±0.05	±0.1	±0.2	-	
	3~6			±0.3	±0.5	
	6~30	±0.1	±0.2	±0.5	±1	
	30~120	±0.15	±0.3	±0.8	±1.5	
	120~400	±0.2	±0.5	±1.2	±2.5	
	400~1000	±0.3	±0.8	±2	±4	
FOR ANGULAR DIMENSIONS	0~10	±1°		±1°30'	±3°	
	10~50	±0°30'		±1°	±2°	
	50~120	±0°20'		±0°30'	±1°	
	120~400	±0°10'		±0°13'	±0°30'	

-							
Nr.	DWG. NO.	TITLE/ NAME		MAT'L	QT'Y	REFERENCE	
DSND BY	CHKD BY	CHKD BY	APRV BY	VIEW	DATE		
C.S.GWAK	J.H.PARK		J.K.HAN	3	2021.10.08		
TITLE				MODEL			
QWH50-TI OUTLINE DRAWING				QWH50-TI			
				DWG. NO.			
				QWH50-TI_OUT			
SCALE	SIZE	REV	SHEET				
1/1	A4	00	1/1				

1 2 3 4 5 6 A4(297X210)