

1 2 3 4 5 6

A

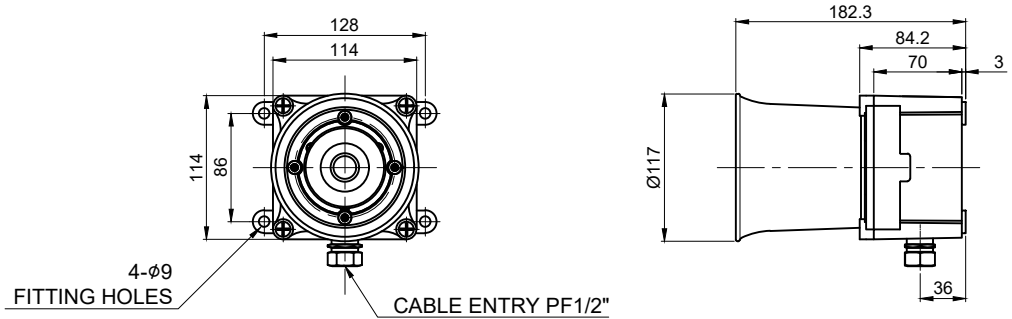
B

C

D

MARK	DATE	REVISION	REVISER	APP. BY
△				
△				
△				

MODEL NO		SEWN30E		
MATERIAL		HOUSING-AL HORN HOUSING-PC		
USE VOLT.	CURRENT	DC12V	2.211A	
		DC24V	1.022A	
		AC110V	0.226A	
		AC220V	0.113A	
KIND OF SOUND		WS	5 Warning Sounds	
		WP	5 Special Warning Sounds	
		WM	5 Melodies	
		WA	5 Alarms	
		WV	5 Customizable sounds	
VOLUME		MAX. 118dB		
PROTECTION GRADE		WATER & DUST PROOF IP56		
CABLE ENTRY		PF1/2"		
COLOR OF HOUSING		MUNSELL NO. 7.5BG 7/2		



ISO2768-1 : CLASS OF TOLERANCE						SURFACE FINISH
FOR LINEAR DIMENSIONS		f	m	Ⓞ	v	
		0.5~3	±0.05	±0.1	±0.2	-
3~6		±0.3			±0.5	
6~30		±0.1	±0.2	±0.5	±1	
30~120		±0.15	±0.3	±0.8	±1.5	
120~400		±0.2	±0.5	±1.2	±2.5	
	400~1000	±0.3	±0.8	±2	±4	
FOR ANGULAR DIMENSIONS	0~10	±1°		±1°30'	±3°	
	10~50	±0°30'		±1°	±2°	
	50~120	±0°20'		±0°30'	±1°	
	120~400	±0°10'		±0°13'	±0°30'	

Nr.	DWG. NO.	TITLE/ NAME	MAT'L	1	-
DSND BY	CHKD BY	CHKD BY	APRV BY	VIEW	DATE
J.Y. KIM	Y.H. JOO	-	J.W. KIM	3	2021.04.30
TITLE			MODEL		
SEWN30E OUTLINE DRAWING			SEWN30E		
DWG. NO.			SCALE		
SEWN30E_OUT			N/S	A4	REV 00
SIZE			SHEET		
A4			1/1		

1 2 3 4 5 6

A4(297X210)

