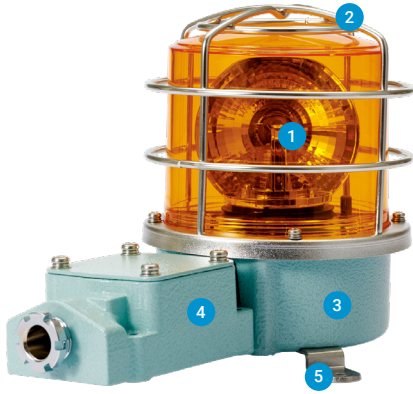


SH1 / SH2 Series

Superior durability with fully enclosed structure and corrosion resistance, suitable for vessels and heavy industry applications



PRODUCT SPECIFICATION

SH1 Series | SH2 Series

Materials Lens-PC, Housing-Al, STS316L(SH1-SUS)

Protection cage-ST316L, Reflector-PC, Reflector for bulb type-Heat resistant ABS, Bracket-ST316L

Protection rating IP66

Housing standard color MUNSELL No. 7.5BG 7/2

Cable entry 1/2" PF

- Aluminum housing and polycarbonate lens material provides excellent impact resistance under seismic conditions
- STS housing provides superior durability and corrosion resistance(SH1-SUS)
- Excellent hermetic structure that blocks water and dust
- Can select a variety of light sources (Bulb, LED, and xenon) for your application needs and environmental conditions
- Terminals located inside the terminal box or product

1 Lenses

- Utilizes a strong and durable polycarbonate material with excellent shock and vibration resistance
- The lens surface has two types depending on the light source function-Light diffusion type and light transmission type



Light transmission type

LED revolving type
Bulb revolving type
SH()LR | SH()



Light diffusion type

LED steady/flashing type
xenon lamp strobe type
SH()L | SH()S

2 Protection cage

- The durable protection cage is made of corrosion resistant stainless steel that prevents damage to the lens from external contact
- Materials: STS316L

3 Housing

- The special aluminum body housing features superior durability
- STS housing provides superior durability and corrosion resistance(SH1-SUS)
- The housing is corrosion resistant from a special anodized surface treatment process
- Materials: Al, STS316L(SH1-SUS)

4 Terminal box

- Terminal box is located on the side of housing for easy wiring
- Materials: Al

5 Brackets

- Stainless steel mounting bracket is conveniently attached to the outer surface of the product
- Materials: STS316L

A Variety of Selectable Light Source and Function Combinations

You can select from a variety of light sources for your work environment, condition, and purpose. Basic specifications are as follows.

- LED revolving type
- LED steady/flashing type
- Xenon lamp strobe type
- Bulb revolving type

Customization

- LED Strobe type
- LED revolving type

Product Categories



Standard type

- Protection cage or terminal box not attached
- Terminals located inside the housing
- Use in environments that has low probability of damage to the lens due to external forces
- SH1/SH2 Series is available in this model



Built-in terminal box

- Equipped with a terminal box for easy wiring
- Use in environments that has low probability of damage to the lens due to external forces
- SH1T()/SH2T() is available in this model



Protection cage mounted type

- Equipped with a Protection cage
- Terminals located inside the housing
- Use in environments that has low probability of damage to the lens due to external forces
- SH1()P/SH2()P is available in this model

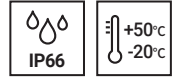


Terminal box and protection cage mounted type

- Equipped with a protection cage and a terminal box
- Terminal box enables easy wiring
- Damage to the lens from external forces can be prevented with protection cage
- SH1T()P/SH2T()P is available in this model

Heavy-Duty LED Revolving Beacons for Vessels and Heavy Industry Applications

SH1LR / SH2LR



SH1LR - Ø125mm, SH2LR - Ø150mm

PRODUCT SPECIFICATION

SH1LR | SH2LR

Materials Lens-PC, Housing-Al, STS316L(SH1LR-SUS)
 Protection cage-ST316L, Reflector-PC, Bracket-ST316L
Ambient operating temperature -20°C to +50°C
Protection rating IP66
Housing standard color MUNSELL No. 7.5BG 7/2
Cable entry 1/2" PF
Revolving speed 120-140RPM

- Features high visibility in all directions with special concentrated LED light structure and multi side reflector
- STS housing provides superior durability and corrosion resistance (SH1LR-SUS, SH1LRP-SUS)



SH1LRP



SH2TLR

SH1LR LED Revolving Beacons

Model number	Voltage	Current	Certificates	Color
SH1LR Standard type	DC12V	420mA	CCS	● R-Red ● A-Amber ● G-Green ● B-Blue
SH1LR-SUS Standard type	DC24V	260mA		
SH1LRP Protection cage type	AC110V	80mA		
SH1LRP-SUS Protection cage type	AC220V	50mA		
SH1TLR Terminal box type				
SH1TLRP Protection cage and terminal box type				

※ CCS compliant: SH1LR / SH1LRP only

SH2LR LED Revolving Beacons

Model number	Voltage	Current	Certificates	Color
SH2LR Standard type	DC12V	420mA	-	● R-Red ● A-Amber ● G-Green ● B-Blue
SH2LRP Protection cage type	DC24V	260mA		
SH2TLR Terminal box type	AC110V	80mA		
SH2TLRP Protection cage and terminal box type	AC220V	50mA		

SH1LR | SH2LR LED Revolving Beacons Specification Category and Products Weight Chart

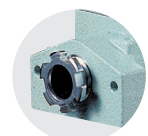
Type	SH1 Series		SH2 Series	
	Φ125mm		Φ150mm	
Standard	SH1LR (1.64kg)	SH1LR-SUS (2.08kg)	SH2LR (1.69kg)	
Built-in protection cage	SH1LRP (1.89kg)	SH1LRP-SUS (2.33kg)	SH2LRP (1.98kg)	
Built-in terminal box	SH1TLR (2.10kg)		SH2TLR (2.15kg)	
Built-in protection cage & Terminal box	SH1TLRP (2.35kg)		SH2TLRP (2.44kg)	

※ Product weight is based on AC type.

Ordering Specification

SH1LR	-	12	-	R	-	SUS
[Model number]		[Voltage]		[Color]		[Housing materials]
SH1LR / SH1LRP		12-DC12V 24-DC24V		● R-Red ● A-Amber ● G-Green ● B-Blue		None - Al SUS - STS316L
SH1TLR / SH1TLRP SH2LR / SH2LRP SH2TLR / SH2TLRP		110-AC110V 220-AC220V				

SH1LR / SH2LR models are equipped with flexible connector, and SH1TLR / SH2TLR models are equipped with 15C nipple at cable entry.



Flexible connector

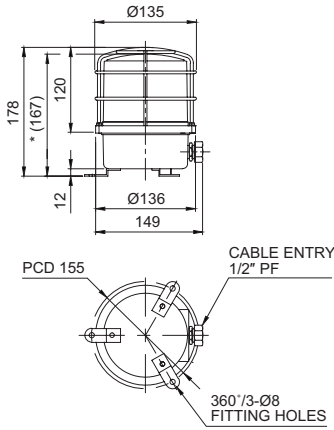
15C nipple

SH1 / SH2 Series

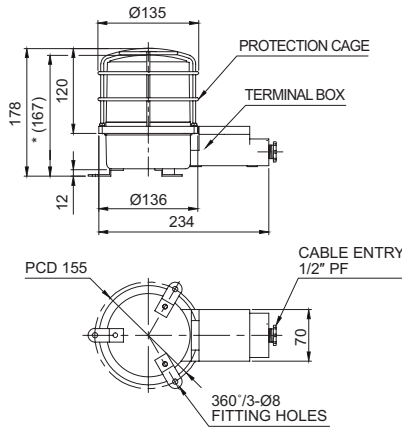
Technical Diagram

Units: mm

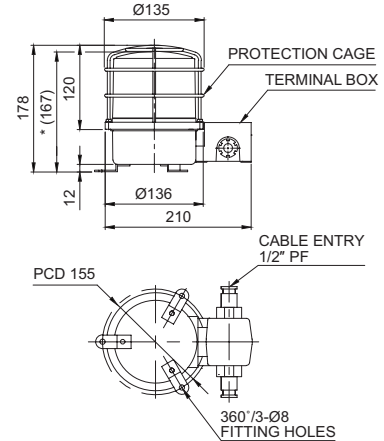
·SH1LRP(-SUS) / SH1LP(-SUS) / SH1SP(-SUS) / SH1P(-SUS)



·SH1TLRP / SH1TLP / SH1TSP / SH1TP

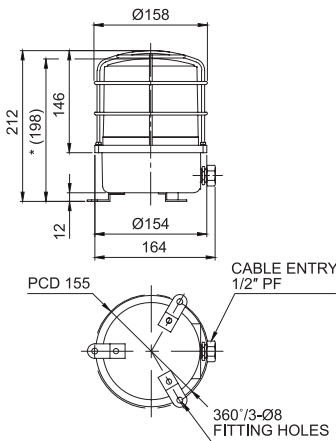


·SH1LR-2TP / SH1L-2TP / SH1S-2TP / SH1-2TP (Cable entry 2EA type)

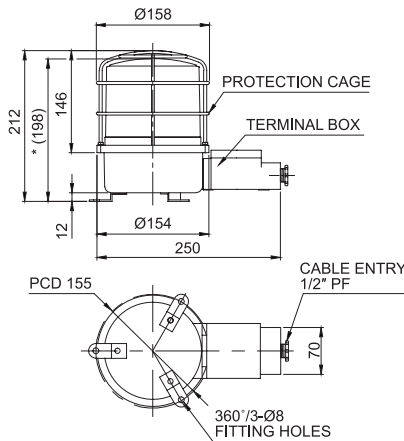


※ *(167) represents SH1LR(-SUS)/ SH1L(-SUS)/SH1S(-SUS)/ SH1(-SUS), SH1TLR/ SH1TL/ SH1TS/ SH1T size without protection cage.

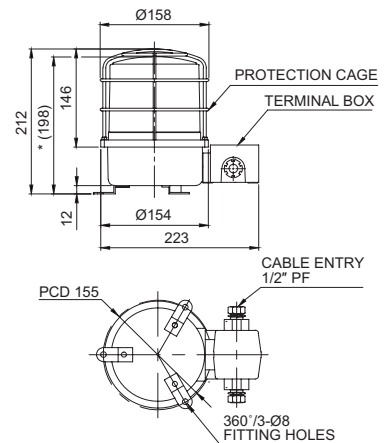
·SH2LRP / SH2LP / SH2SP / SH2P



·SH2TLRP / SH2TLP / SH2TSP / SH2TP



·SH2LR-2TP / SH2L-2TP / SH2S-2TP / SH2-2TP (Cable entry 2EA type)



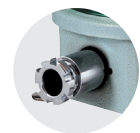
※ *(198) represents SH2 Series size without protection cage.

Wiring Instructions

· SH1(-SUS), SH1LR(-SUS), SH2, SH2LR : Black output line is negative(-).

Customization

- 3/4" PF Cable entry
Standard cable entry is 1/2" PF, 3/4" PF is customization
- Built-in cable gland type
Flexible connector is equipped to the standard cable entry
- Brass housing product (SH2(T)S, SH2(T)LR, SH2(T)L, SH2(T) Series only)
Color will be MUNSELL No. 7.5BG 7/2 when released.
- 2T type has 2 cable entries in the terminal box
2 cable entries terminal box is a customized add-on.



Built-in cable gland



Brass housing product



2 cable entries terminal box model