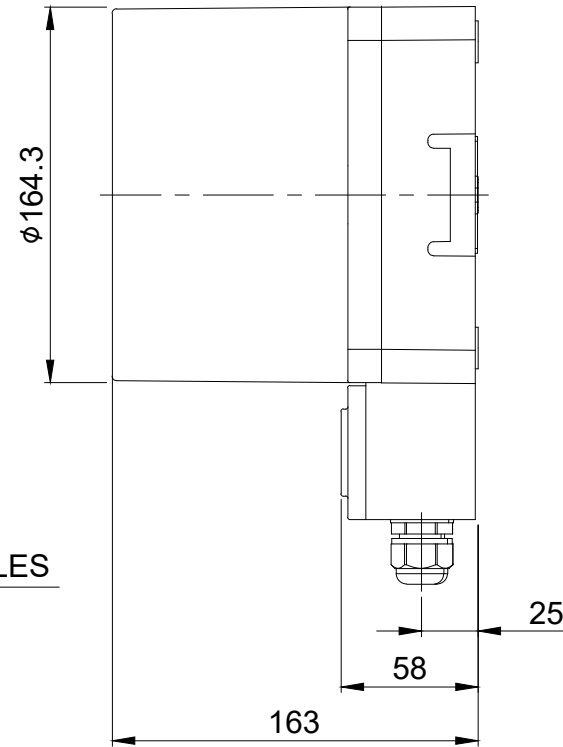
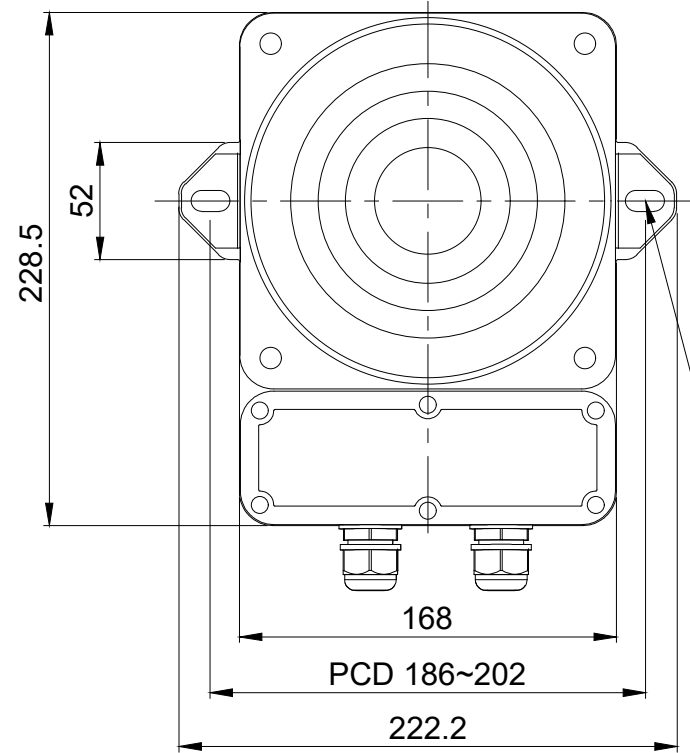


1 2 3 4 5 6

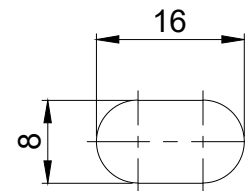
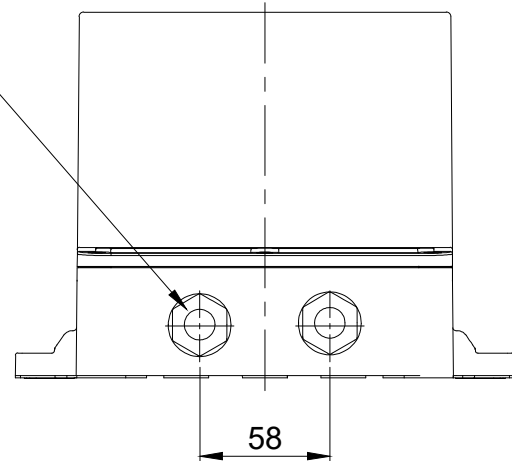
A

A



2- $\phi 8$  SLOT HOLES

M20 CABLE GLAND



FITTING HOLES

MARK	DATE	REVISION	REVISER	APP .BY
①				
②				
③				

MODEL NO	QWH50T		
MATERIAL	HORN-PC+ABS		
	HOUSING-PC+ABS		
USE VOLT.	CURRENT	DC12V ~ 24V	MAX. 3.480A
		AC110V ~ 220V	MAX. 0.460A
CHANNEL	BIT INPUT		5CH (ONLY SD-CARD)
	BINARY INPUT		31CH
KIND OF SOUND	VOLUME	WARNING SOUNDS 31Ch	MAX. 123dB at 1m
		MP3 SOUNDS	MAX. 118dB at 1m
PROTECTION GRADE	WATER & DUST PROOF - IP66		
CABLE ENTRY	M20 CABLE GLAND x 2		
COLOR OF HOUSING	MAKER STANDARD		

B

B

C

C

D

D

	ISO2768-1 : CLASS OF TOLERANCE					SURFACE FINISH
		f	m	Ⓢ	v	
FOR LINEAR DIMENSIONS	0.5~3	±0.05	±0.1	±0.2	-	
	3~6			±0.3	±0.5	
	6~30	±0.1	±0.2	±0.5	±1	
	30~120	±0.15	±0.3	±0.8	±1.5	
	120~400	±0.2	±0.5	±1.2	±2.5	
	400~1000	±0.3	±0.8	±2	±4	
FOR ANGULAR DIMENSIONS	0~10	±1°		±1°30'	±3°	
	10~50	±0°30'		±1°	±2°	
	50~120	±0°20'		±0°30'	±1°	
	120~400	±0°10'		±0°13'	±0°30'	

Nr.	DWG. NO.	TITLE/ NAME	MAT'L	QT'Y	REFERENCE
DSND BY	CHKD BY	CHKD BY	APRV BY	VIEW	DATE
C.S.GWAK	J.H.PARK		J.K.HAN	3	2021.10.08
TITLE			MODEL		
QWH50T OUTLINE DRAWING			QWH50T		
			DWG. NO.		
			QWH50T_OUT		
SCALE	SIZE	REV	SHEET		
1/1	A4	01	1/1		

1 2 3 4 5 6 A4(297X210)