

1 2 3 4 5 6

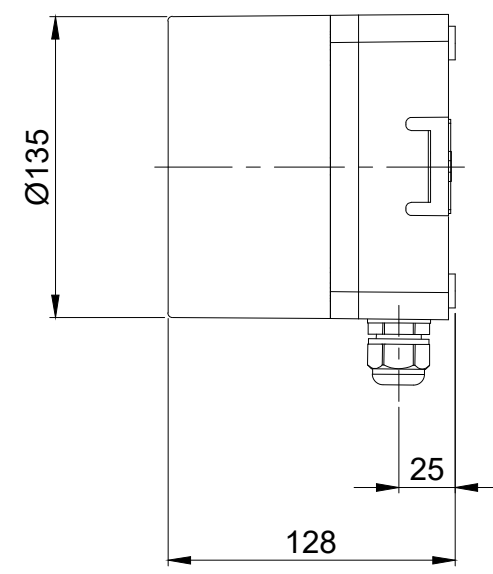
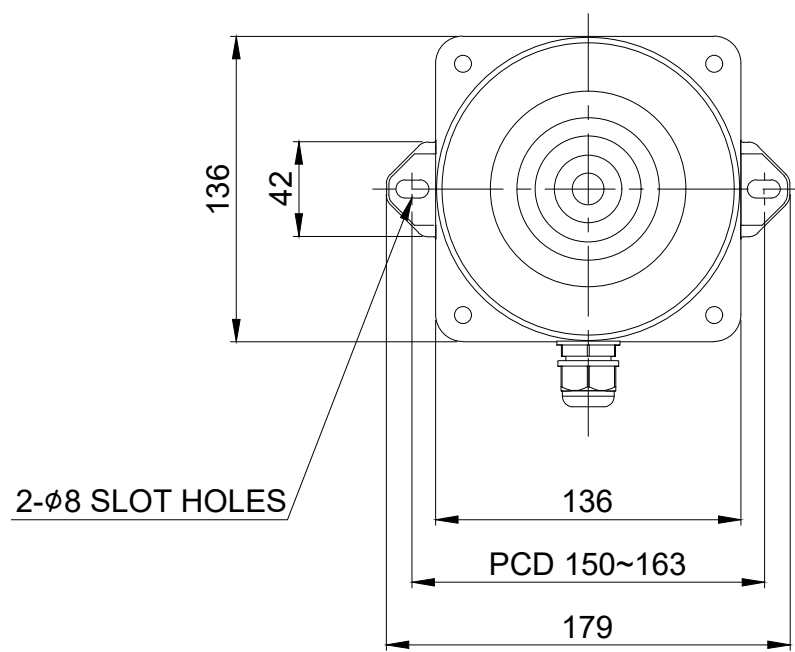
A

A

| MARK | DATE | REVISION | REVISER | APP .BY |
|------|------|----------|---------|---------|
| ① | | | | |
| ② | | | | |
| ③ | | | | |

B

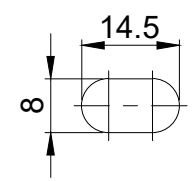
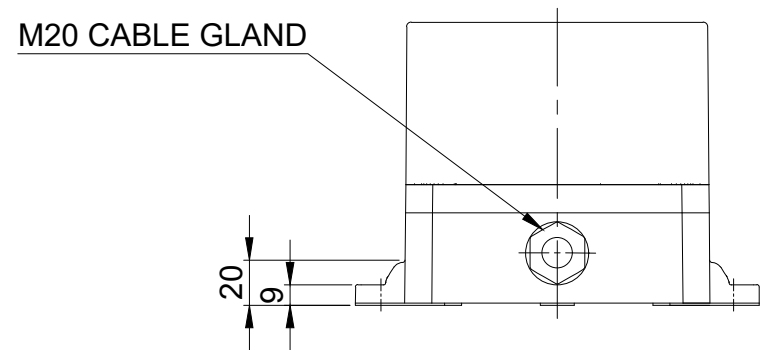
B



| | | | | |
|------------------|---------------------------|---------------------|------------------|--|
| MODEL NO | QWH35 | | | |
| MATERIAL | HORN-PC+ABS | | | |
| | HOUSING-PC+ABS | | | |
| COLOR | MAKER STANDARD | | | |
| USE VOLT. | CURRNET | DC12V ~ 24V | MAX. 0.930A | |
| | | AC110V ~ 220V | MAX. 0.300A | |
| KIND OF SOUND | VOLUME | WARNING SOUNDS 31Ch | MAX. 115dB at 1m | |
| | | MP3 SOUNDS | MAX. 113dB at 1m | |
| PROTECTION GRADE | WATER & DUST PROOF - IP66 | | | |
| CABLE ENTRY | M20 CABLE ENTRY | | | |

C

C



FITTING HOLES

C

C

D

D

| ISO2768-1 : CLASS OF TOLERANCE | | | | | | SURFACE FINISH | | | | | | |
|--------------------------------|---------|--------|------|--------|--------|----------------|-----|----------|-------------|-------|------|-----------|
| FOR LINEAR DIMENSIONS | f | m | ⊙ | v | | | Nr. | DWG. NO. | TITLE/ NAME | MAT'L | QT'Y | REFERENCE |
| | 0.5~3 | ±0.05 | ±0.1 | ±0.2 | - | | | | | | | |
| | 3~6 | | | ±0.3 | ±0.5 | | | | | | | |
| | 6~30 | ±0.1 | ±0.2 | ±0.5 | ±1 | | | | | | | |
| | 30~120 | ±0.15 | ±0.3 | ±0.8 | ±1.5 | | | | | | | |
| | 120~400 | ±0.2 | ±0.5 | ±1.2 | ±2.5 | | | | | | | |
| 400~1000 | ±0.3 | ±0.8 | ±2 | ±4 | | | | | | | | |
| FOR ANGULAR DIMENSIONS | 0~10 | ±1° | | ±1°30' | ±3° | | | | | | | |
| | 10~50 | ±0°30' | | ±1° | ±2° | | | | | | | |
| | 50~120 | ±0°20' | | ±0°30' | ±1° | | | | | | | |
| | 120~400 | ±0°10' | | ±0°13' | ±0°30' | | | | | | | |

| | | | | | | | | | | | |
|--------------------------|--|----------|--|---------|--|----------|------|------|-----------|------------|--|
| - | | | | | | | | | | | |
| DSND BY | | CHKD BY | | CHKD BY | | APRV BY | | VIEW | | DATE | |
| S.H.KIM | | J.H.PARK | | | | J.K.HAN | | 3 | | 2019.03.20 | |
| TITLE | | | | | | MODEL | | | | | |
| QWH35 OUTLINE DRAWING | | | | | | QWH35 | | | | | |
| | | | | | | DWG. NO. | | | QWH35_OUT | | |
| | | | | | | SCALE | SIZE | REV | SHEET | | |
| N/S | | A4 | | 00 | | 1/1 | | | | | |

1 2 3 4 5 6 A4(297X210)