

# Waterproof LED Light Bars for Multi-use with Protection of IP67/IP69K

## QCML / QCMLC



High seal and high waterproof light bars that can be used in high temperature wash down applications Can select from a variety of light colors from cool daylight, incandescent, amber and red color lights to fit your application needs

### PRODUCT SPECIFICATION

QCML | QCMLC

**Materials** Lens-PC, Side cover-PC, Heatsink-Al, Bracket-PC  
**Ambient operating temperature** -30°C to +50°C  
**Protection rating** IP67, IP69K  
**Certificates** CE, UL, RU



**QCML Translucent lens**  
**QCMLC Transparent lens**

- Side cover and lens is integrated together with a multi silicon rubber sealing structure for superior protection from water
- Aesthetically pleasing with slim and compact housing
- Polycarbonate material provides superior heat and shock resistance
- Features great seal and durability in food processing, pharmaceutical, and beverage processing machine that needs high temperature wash down
- Can select from light colors of Cooldaylight, warm white, amber and red color lights depending on your application needs such as semiconductor manufacturing equipment, machine tools and test equipment
- Can select between transparent lens type and translucent lens type depending on your application needs
- Detachable mounting bracket structure enables to adjust mounting hole space freely
- Protection rating: IP67, IP69K
- Standard entry cable included. Can customize the product with the M12 connector if requested(Female M12 connector is not provided)

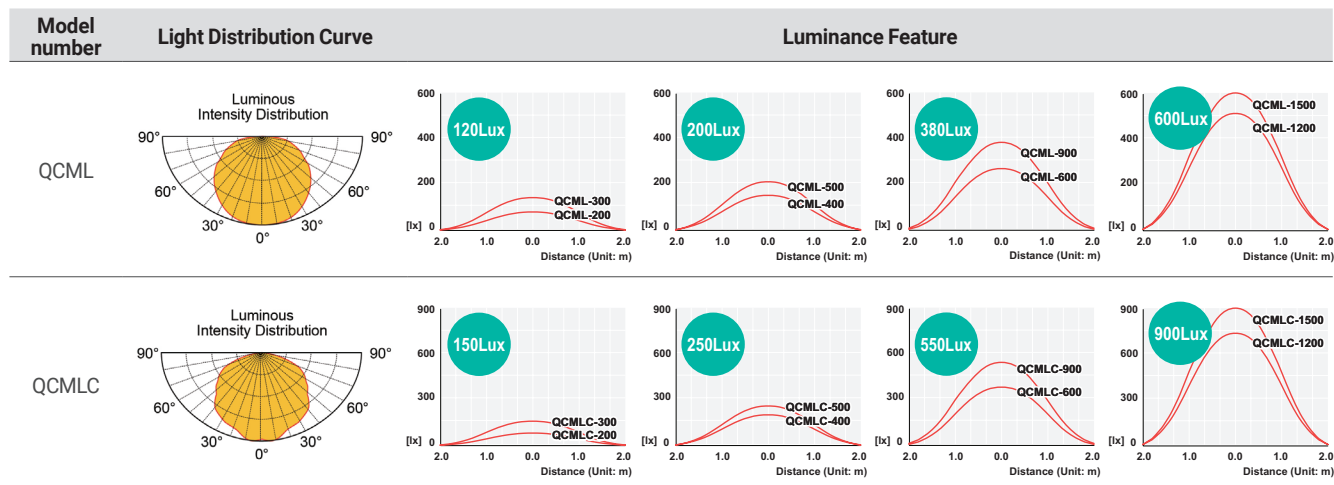
### QCML Series Waterproof LED Light Bars for Multi-use

Lens Type	Product length	Cooldaylight	Warm white	Red	Amber
Translucent lens					
	200mm	QCML-200-W	QCML-200-PY	QCML-200-R	QCML-200-A
	300mm	QCML-300-W	QCML-300-PY	QCML-300-R	QCML-300-A
	400mm	QCML-400-W	QCML-400-PY	QCML-400-R	QCML-400-A
	500mm	QCML-500-W	QCML-500-PY	QCML-500-R	QCML-500-A
	600mm	QCML-600-W	QCML-600-PY	QCML-600-R	QCML-600-A
	900mm	QCML-900-W	QCML-900-PY	QCML-900-R	QCML-900-A
	1,200mm	QCML-1200-W	QCML-1200-PY	QCML-1200-R	QCML-1200-A
1,500mm	QCML-1500-W	QCML-1500-PY	QCML-1500-R	QCML-1500-A	
Transparent lens					
	200mm	QCMLC-200-W	QCMLC-200-PY	QCMLC-200-R	QCMLC-200-A
	300mm	QCMLC-300-W	QCMLC-300-PY	QCMLC-300-R	QCMLC-300-A
	400mm	QCMLC-400-W	QCMLC-400-PY	QCMLC-400-R	QCMLC-400-A
	500mm	QCMLC-500-W	QCMLC-500-PY	QCMLC-500-R	QCMLC-500-A
	600mm	QCMLC-600-W	QCMLC-600-PY	QCMLC-600-R	QCMLC-600-A
	900mm	QCMLC-900-W	QCMLC-900-PY	QCMLC-900-R	QCMLC-900-A
	1,200mm	QCMLC-1200-W	QCMLC-1200-PY	QCMLC-1200-R	QCMLC-1200-A
1,500mm	QCMLC-1500-W	QCMLC-1500-PY	QCMLC-1500-R	QCMLC-1500-A	
Features	<ul style="list-style-type: none"> <li>· Bright and transparent color temperature that is most commonly used</li> <li>· Color temperature: 6,000-7,000K</li> </ul>	<ul style="list-style-type: none"> <li>· Less eye fatigue with color temperature similar to incandescent lamp</li> <li>· Color temperature: 2,500-3,500K</li> </ul>	<ul style="list-style-type: none"> <li>· Red color light for special use</li> <li>· Wavelength: 618nm-632nm</li> </ul>	<ul style="list-style-type: none"> <li>· Amber color light for special use</li> <li>· Wavelength: 585nm-595nm</li> </ul>	
Applications	<ul style="list-style-type: none"> <li>· Machine tools</li> <li>· Factory facilities</li> <li>· Image test</li> <li>· Panel boards</li> </ul>	<ul style="list-style-type: none"> <li>· Food processing facilities</li> <li>· Cosmetics manufacturing facility</li> <li>· Pharmaceutical equipment and facilities</li> <li>· Chemical facilities</li> </ul>	<ul style="list-style-type: none"> <li>· Semiconductor manufacturing equipment(in clean room )</li> <li>· Print and light exposure manufacturing facilities</li> <li>· Growing plants with artificial lights</li> </ul>	<ul style="list-style-type: none"> <li>· Semiconductor manufacturing equipment</li> <li>· Testing equipment</li> </ul>	

# Waterproof LED Light Bars for Multi-use with Protection of IP67/IP69K

## QCML / QCMLC

### Light Distribution and Illuminance



### QCML / QCMLC Waterproof LED Light Bars for Multi-use

Optics Specifications								
Model number	QCML-200/ QCMLC-200	QCML-300/ QCMLC-300	QCML-400/ QCMLC-400	QCML-500/ QCMLC-500	QCML-600/ QCMLC-600	QCML-900/ QCMLC-900	QCML-1200/ QCMLC-1200	QCML-1500/ QCMLC-1500
Lens color	Translucent/ Transparent	Translucent/ Transparent	Translucent/ Transparent	Translucent/ Transparent	Translucent/ Transparent	Translucent/ Transparent	Translucent/ Transparent	Translucent/ Transparent
Light color/ Color temperature	Cooldaylight	6,000-7,000K						
	Warm white	2,500-3,500K						
	Red	618-632nm						
	Amber	585-595nm						
Luminous flux (Cooldaylight)	220lm/ 300lm	330lm/ 400lm	450lm/ 600lm	600lm/ 750lm	700lm/ 900lm	1,000lm/ 1,200lm	1,400lm/ 1,800lm	1,800lm/ 2,200lm
Illumination(at 1m) (Cooldaylight)	80Lux/ 100Lux	120Lux/ 150Lux	150Lux/ 200Lux	200Lux/ 250Lux	250Lux/ 350Lux	380Lux/ 550Lux	500Lux/ 700Lux	600Lux/ 900Lux

Specifications								
Model number	QCML-200/ QCMLC-200	QCML-300/ QCMLC-300	QCML-400/ QCMLC-400	QCML-500/ QCMLC-500	QCML-600/ QCMLC-600	QCML-900/ QCMLC-900	QCML-1200/ QCMLC-1200	QCML-1500/ QCMLC-1500
Voltage	DC24V							
Range for operation voltage	DC21.5V-26.5V							
Power consumption	5.5W	6W	11W	11.5W	11.5W	17W	22W	28W
Insulation resistance	Min. 100MΩ(500V DC mega ohm meter)							
Withstanding voltage	DC: 500VAC, 60Hz, 1 minute							
Operating temperature	-30°C to +50°C							
Protection rating	IP67/IP69K							
Materials	Lens-PC, Side cover-PC, Heatsink-Al, Bracket-PC							
Certifications								
Weight(Approx.)	0.16kg	0.20kg	0.26kg	0.33kg	0.40kg	0.56kg	0.76kg	0.94kg

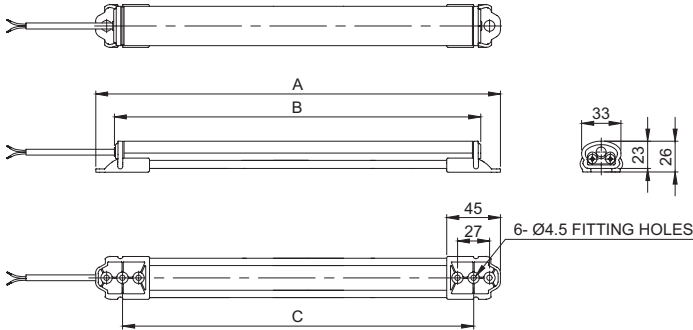
※ UL Listed: Cable Type only; UL Recognized Component (RU/UR): Cable Type and M12 connector type



## Technical Diagram

·QCML/ QCMLC-200/300/400/500/600/900/1200/1500

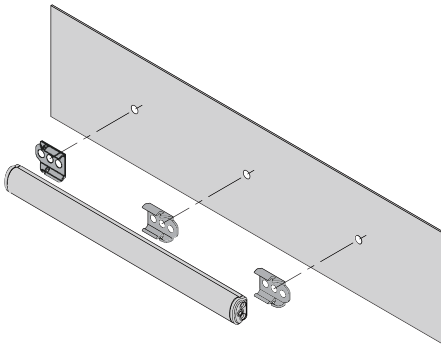
Units: mm



MODEL	A	B	C	D
QCML/ QCMLC -200	262	228	45~217	2
QCML/ QCMLC -300	362	328	45~317	2
QCML/ QCMLC -400	462	428	45~417	2
QCML/ QCMLC -500	562	528	45~517	2
QCML/ QCMLC -600	662	628	45~617	2
QCML/ QCMLC -900	962	928	45~917	3
QCML/ QCMLC -1200	1262	1228	45~1217	4
QCML/ QCMLC -1500	1562	1528	45~1517	4

· External power line - UL2464-AWG22(0.3sqx2C) 450mm

## Mounting Structure



- Adopts removable mounting bracket and sliding structure, adjustable mounting distance.
- Mounting bracket is arranged on edge or middle of body, in case of edge of body, mounting bracket space is kept.

Example for mounting outside

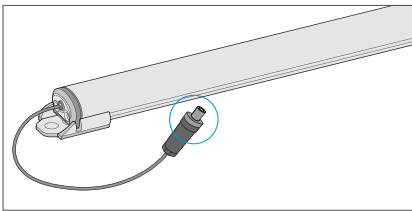


Example for mounting inside

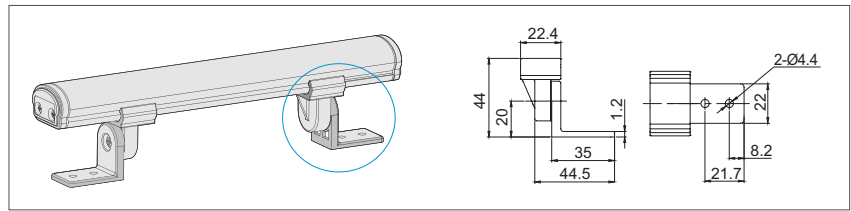


## Customization

- Cable end M12 connector attached type: Customized cable end M12 connector attached type available



- Foldable Bracket: Adjustable from 0° to 180° degrees



## Ordering Specification

QCML	-	200	-	PY	-	24
[Model number]		[Product length]		[Light color]		[Voltage]
QCML-Translucent lens QCMLC-Transparent lens		200-228mm 300-328mm 400-428mm 500-528mm 600-628mm 900-928mm 1,200-1,228mm 1,500-1,528mm		W - Cooldaylight PY - Warm white R - Red A - Amber		24-DC24V