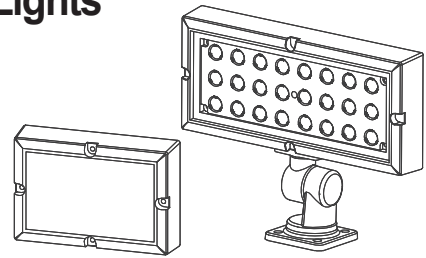


# Water, Vibration, and Oil Resistant LED Work Lights

## QML/ QMHL



Thank you for purchasing Qlight's products. Please read this user manual carefully prior to installation and operation to ensure safe and correct use.

### ⚠ Precautions for Safety

Failure to follow the instructions below may cause a loss of life or serious physical injury.

1. During wiring or maintenance, please completely turn off the power of the product. (Failure to follow this may lead to an electric shock.)
2. Do not install the product in locations that subjects it to excessive dust or water other than the conditions designated by the IP protection ratings indicated for each product. (Failure to follow these instructions may cause a fire to the product, electric shock, physical injury, malfunction or damage to the product.)
3. Do not alter or repair this product. If maintenance or repair service is required, please contact your local Qlight contact point. (Failure to follow these instructions may lead to fire, electric shock, or product damage.)
4. Please apply the correct voltage to the product. (Failure to follow these instructions may lead to fire, electric shock, or product damage.)
5. When the product is applied to a condition that may impact lives or property, please make sure to have a double safety device. (Failure to follow this may cause damage to property, fire, electric shock and loss of life.)

### ⚠ Precautions for Correct Use

Failure to follow the proper instructions may cause damage to property, the product, and or malfunction of the product that would void the warranty.

1. Please remove any objects that can interrupt ventilation around the product.
2. Please turn off the power of the product immediately if it fails to operate properly.
3. Carefully wire the product according to each product's specification.
4. Please be careful in preventing chemicals such as thinner, benzene, etc. in contact with the surface of the product.
5. Do not apply excessive force/impact to the product.
6. Failure to follow any of the instructions above may cause malfunction or damage to the product, fire, and electric shock.
7. Wire the product in an environment without coolant in order to prevent coolant flowing into the core wire of power line
8. Keep the lens in a clean condition (Contamination may cause luminance decrease)
9. Clean the product using a soft cloth dampened with water (Do not use thinner, benzene, gasoline and oil)

## Ordering Specifications

| QML  | 150  | D  | 24   | M12   |
|--|--|--|--|---|
| [Model number]   | [Product length]   | [Mount bracket]  | [Voltage]  | [Connector]   |
| <ul style="list-style-type: none"> <li>• QML - Anti-glare</li> <li>• QMHL - High illumination</li> </ul> | <ul style="list-style-type: none"> <li>• 150 - 155mm</li> <li>• 250 - 255mm</li> </ul> | <ul style="list-style-type: none"> <li>• D : No bracket</li> <li>• K : Tilt bracket</li> <li>• MF : Tilt and swivel bracket</li> </ul> | <ul style="list-style-type: none"> <li>• 24 - DC24V</li> </ul> | <ul style="list-style-type: none"> <li>• (Blank) - Specified-power cable withdrawal type</li> <li>• M12 - M12 connector type</li> </ul> |



Please scan the QR code for more detailed product information.


[www.qlight.com](http://www.qlight.com)

# Product Specifications

## Optics Specifications

|                              |                                      |                                      |   |   |
|------------------------------|--------------------------------------|--------------------------------------|---|---|
| Model number                 | QML-150-D<br>QML-150-K<br>QML-150-MF | QML-250-D<br>QML-250-K<br>QML-250-MF | QMHL-150-D<br>QMHL-150-K<br>QMHL-150-MF | QMHL-250-D<br>QMHL-250-K<br>QMHL-250-MF |
| Lens color                   | Translucent                          | Translucent                          | Transparent                             | Transparent                             |
| Light color (Standard)       | Cool daylight                        |                                      |   |   |
| Color temperature (Standard) | 6,000-7,000K                         |                                      |   |   |
| Luminous flux                | 850lm                                | 1,900lm                              | 900lm                                   | 1,800lm                                 |
| Illumination (at 1m)         | 700Lux                               | 1,200Lux                             | 1,100Lux                                | 2,500Lux                                |

## General Product Specifications

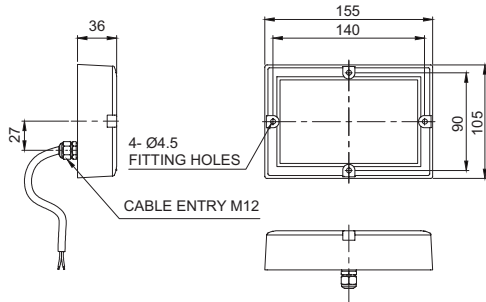
|                             |   |  |   |   |
|-----------------------------|---|--|---|---|
| Model number                | QML-150-D<br>QML-150-K<br>QML-150-MF  | QML-250-D<br>QML-250-K<br>QML-250-MF                         | QMHL-150-D<br>QMHL-150-K<br>QMHL-150-MF                         | QMHL-250-D<br>QMHL-250-K<br>QMHL-250-MF                         |
| Rated voltage               | DC24V   | DC24V  | DC24V   | DC24V   |
| Range for operation voltage | DC21.5V-26.5V   |  |   |   |
| Power consumption           | 15W   | 32.4W  | 15W   | 25W   |
| Insulation resistance       | Min. 100MΩ(500V DC mega ohm meter)  |  |   |   |
| Withstanding voltage        | DC: 500VAC, 60Hz, 1 minute  |  |   |   |
| Protection rating           | IP67/ IP69K   |  |   |   |
| Operating temperature       | -30°C to +60°C  |  |   |   |
| Materials                   | Housing-Al, Lens-Tempered glass, Bracket-K type-ST5430/MF type-Al                 |  |   |   |
| Certificate                 |  |  |   |   |
| Weight(approx.)             | QML-150-D: 0.82kg<br>QML-150-K: 0.88kg<br>QML-150-MF: 1.09kg                      | QML-250-D: 1.31kg<br>QML-250-K: 1.37kg<br>QML-250-MF: 1.58kg | QMHL-150-D: 0.84kg<br>QMHL-150-K: 0.99kg<br>QMHL-150-MF: 1.11kg | QMHL-250-D: 1.32kg<br>QMHL-250-K: 1.39kg<br>QMHL-250-MF: 1.60kg |

※ UL Listed (Cable Type), UL Recognized Component (RU/UR, Cable & M12 Type): QML Series only

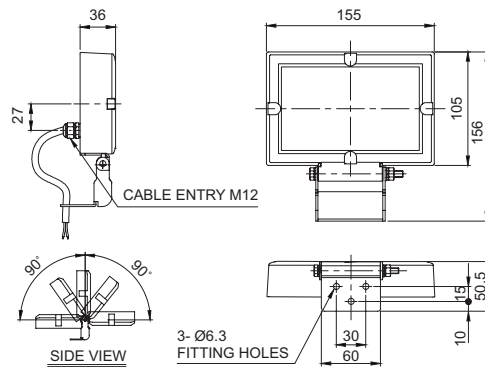
## Dimensions

(Units : mm)

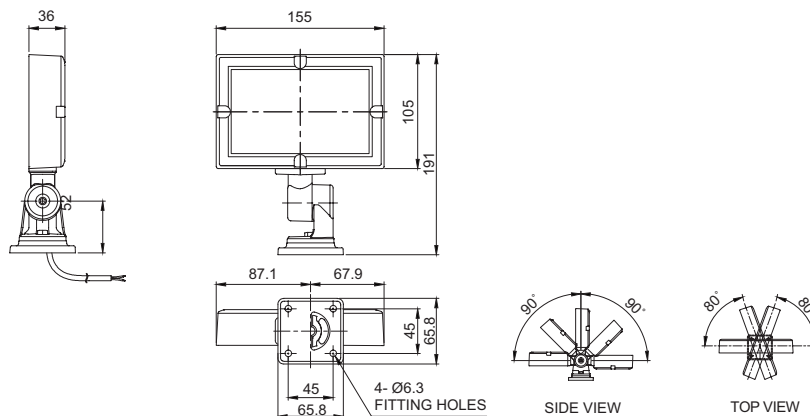
QML/ QMHL-150-D



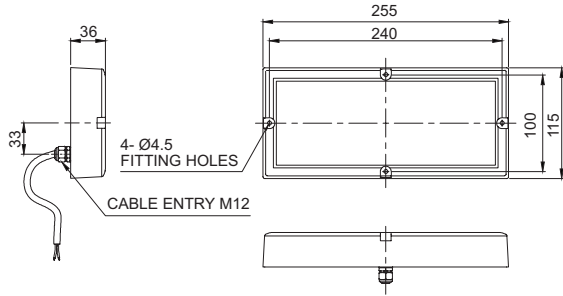
QML/ QMHL-150-K



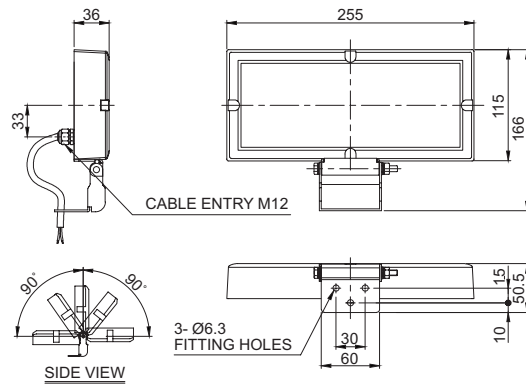
QML/ QMHL-150-MF



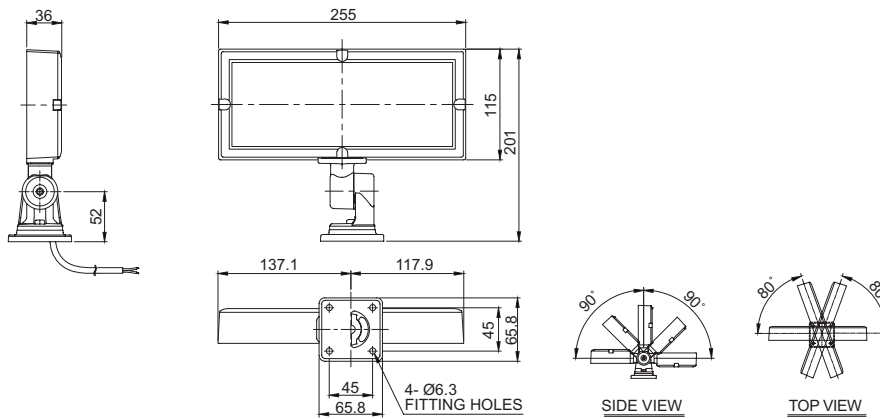
QML/ QMHL-250-D



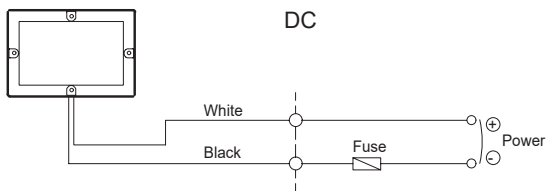
QML/ QMHL-250-K



QML/ QMHL-250-MF

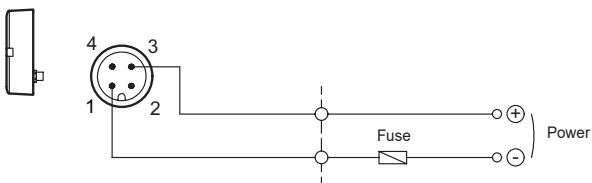


Wiring Instructions



- External power line - Dura & Flex-F VU(0.5sq) x 2C 450mm
- When wiring the product, please ensure that the terminals are not exposed to coolant in order to prevent the bare wire from being contaminated.

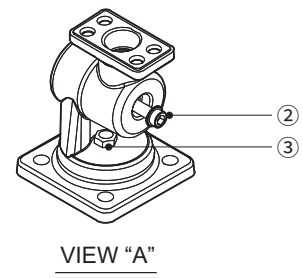
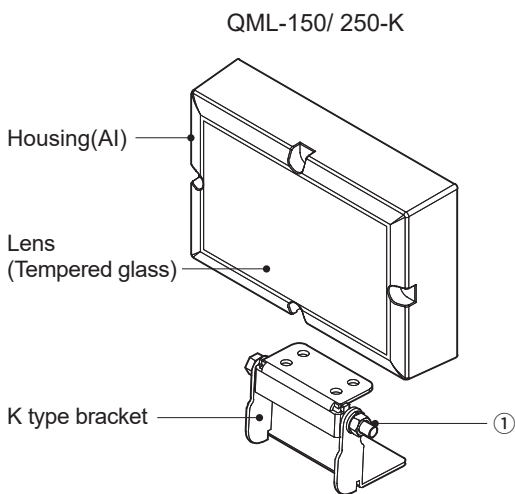
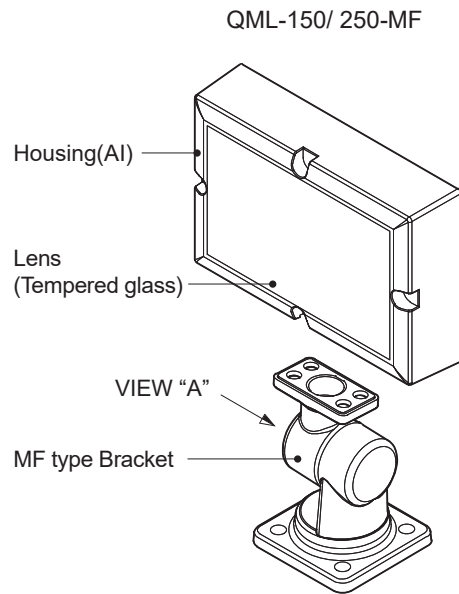
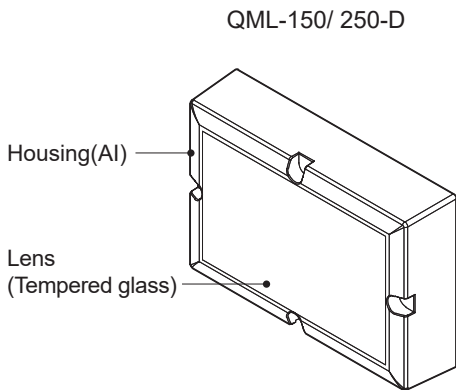
M12 Connector Attached Type



- Please connect the 4 pins located in M12 connector cable to the M12 socket of the product.

## Parts Definition/ Bracket Adjustment

### ■Parts Definition

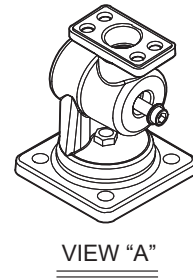
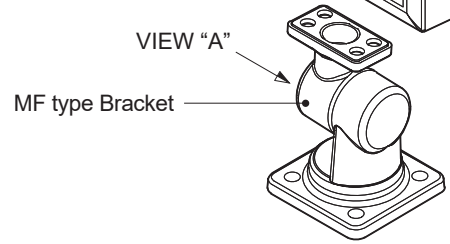
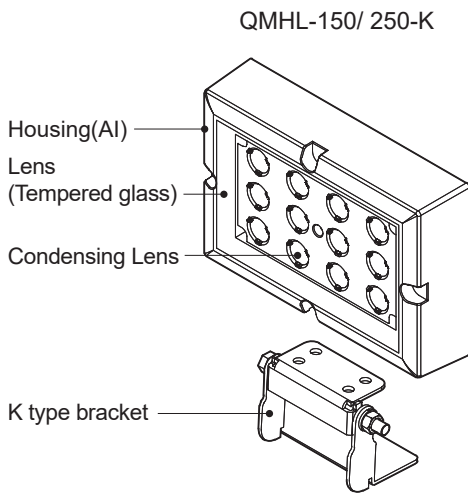
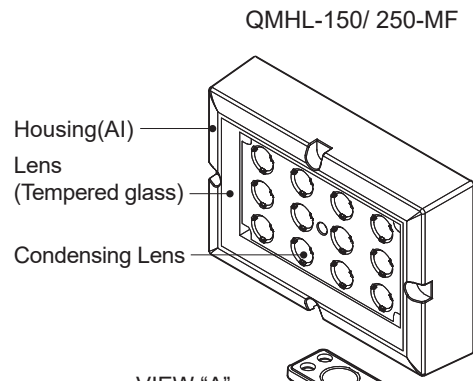
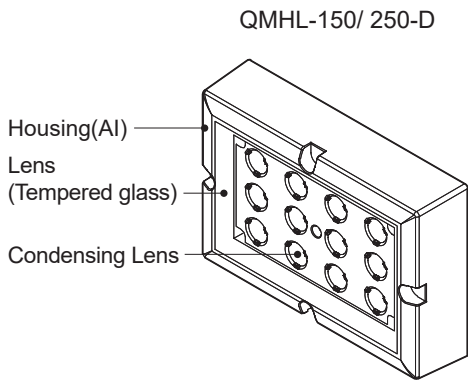


### ■Bracket Adjustment

- K type bracket
  - Loosen the bolt ① and adjust the tilt angle to the desired location before securing the bolt.
- MF type bracket
  - When tilt adjustment is needed, loosen the bolt ② and adjust the tilt angle.
  - When swivel angle adjustment is needed, loosen the bolt ③ and swivel angle to the desired location.
  - When angle adjustment is done, please secure the bolt.

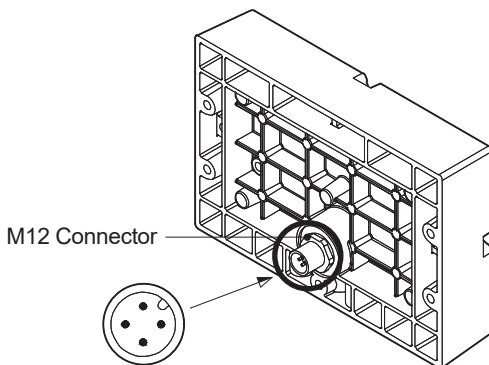
## Parts Definition/ Bracket Adjustment

### ■Parts Definition



※ Please refer to page 4 in regards to bracket adjustment.

### ■M12 Connector Type Model



• Applied models : QML-150-D, QML-150-K, QML-250-D, QML-250-K,  
QMHL-150-D, QMHL-150-K, QMHL-250-D, QMHL-250-K

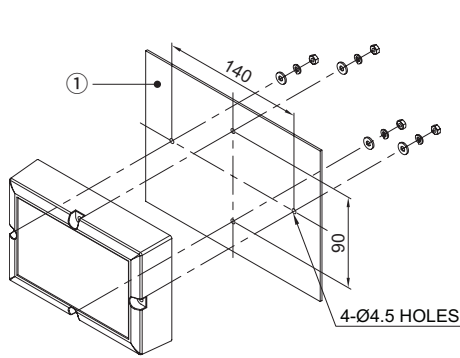
## Installation/ Mounting Hole Specifications

### ■ Installation

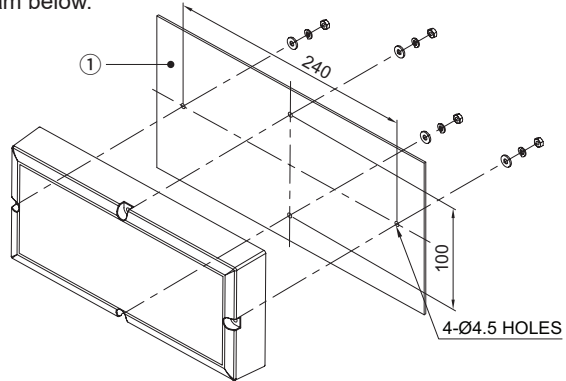
- First, machine taps or holes on the mounting surface (①).
- The mounting holes of this product are 4.5mm(D type) and 6.3mm(K type, MF type) in diameter.
- When machining taps, fasten the bolt through the mounting hole of the product.
- When machining holes, insert the bolt through the hole of the product, and tighten the nut from the opposite side of the mounting surface.

### ■ Mounting Hole Specifications

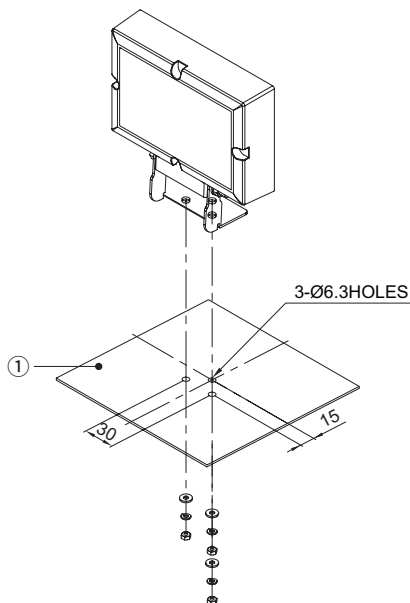
- Machine holes on the mounting surface referring to the diagram below.



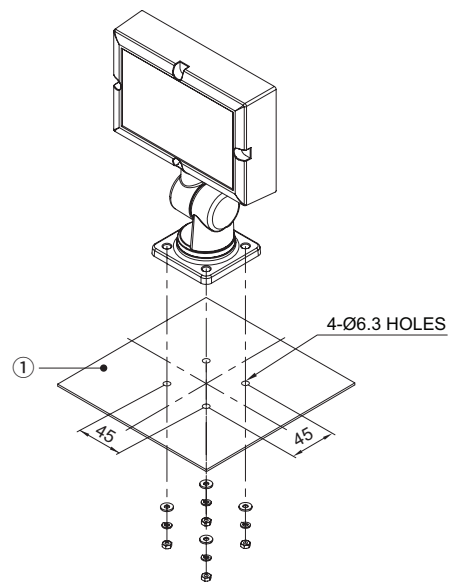
QML/ QMHL-150-D



QML/ QMHL-250-D



QML/ QMHL-150/ 250-K



QML/ QMHL-150/ 250-MF

## Installation Environment and Protection Rating

- This product is designed for use with protection rating of IP67/ IP69K.
- If the product is installed in locations that subject it to excessive dust or water other than the designated IP protection rating indicated(IP67/ IP69K), it may cause malfunction or damage to the product.
- For further information, please visit our website ([www.qlight.com](http://www.qlight.com)).

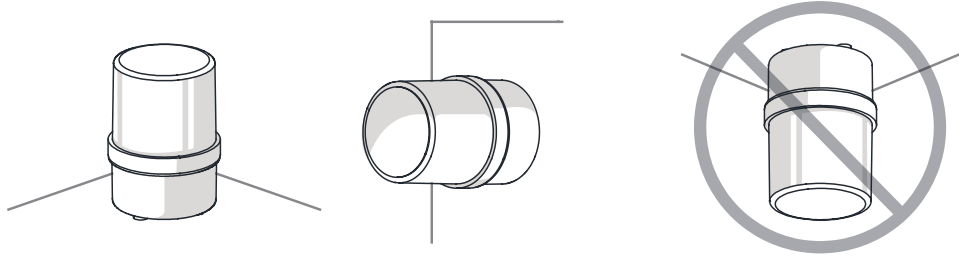
## Product installation direction

- Install the product in accordance with the manual. Otherwise rainwater or moisture may penetrate into the product.

### · BEACON/SIGNALING LIGHT

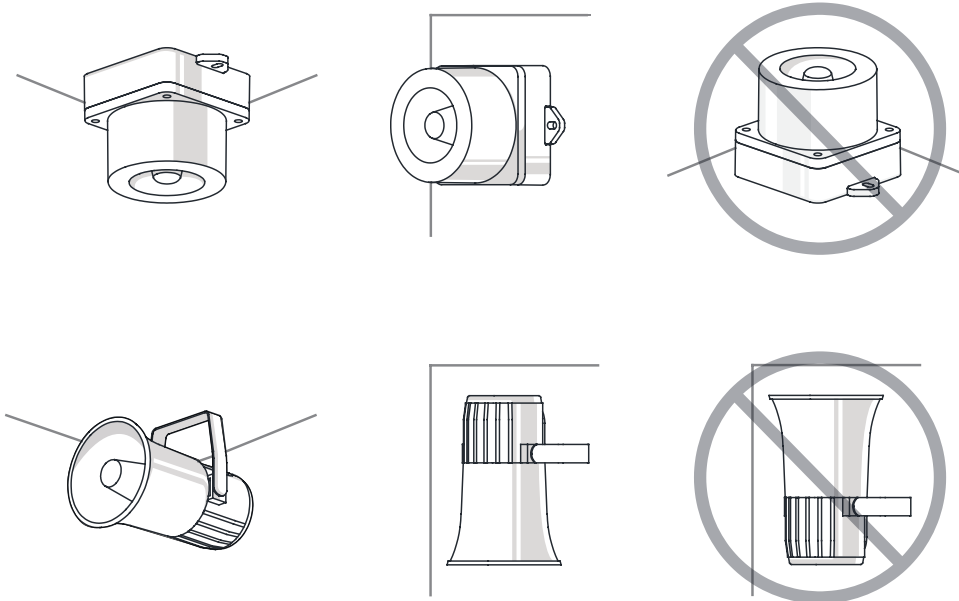
※ For products with a protection rating of less than IPX4, please install it vertically.

Power cord inlet part shall not be facing the sky.



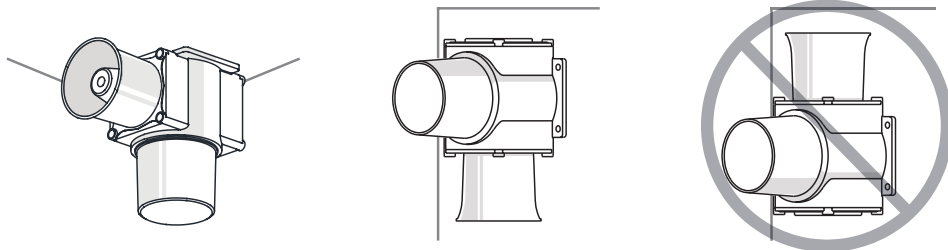
### · ELECTRONIC SOUNDER/SIGNAL HORN

Sounder part shall not be facing the sky.



### · HEAVY-DUTY & EXPLOSION PROOF SIGNALINGS

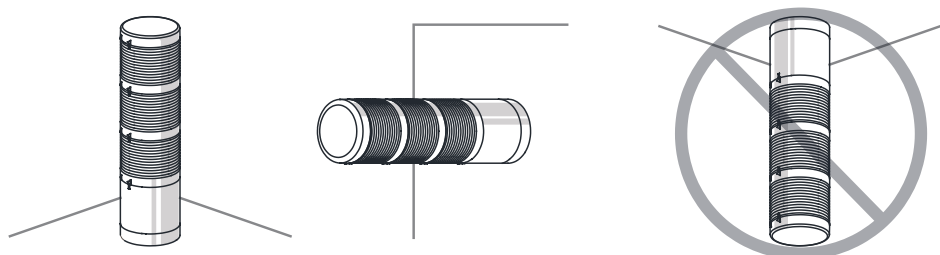
Sounder part shall not be facing the sky.

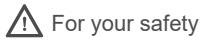


### · SIGNAL TOWER LIGHTS

※ For products with a protection rating of less than IPX4, please install it vertically.

Power cord inlet part shall not be facing the sky.





For your safety

Specification and dimensions listed in this catalogue subject to change without notice for product quality improvement.  
The newest product information is available on our website.(www.qlight.com)  
Please read the instruction manual attached to the product carefully before installation and use.

*Korea Corporation Qlight Co., Ltd. www.qlight.com | trade@qlight.com*

Head Office | Suite #1510, STX-V Tower, 128 Gasan Digital 1-ro, Geumcheon-gu, Seoul, 08507, South Korea

Tel: +82-2-2679-6152 Fax: +82-2-2679-6154

Factory(Gimhae Production Headquarters) | 185-25, Mukbang-ro, Sangdong-myeon, Gimhae-si, Gyeongsangnam-do, 50805, South Korea

Tel: +82-55-328-1111

Overseas Sales Department | Qlight Building, 704 Nakdong-daero, Sasang-gu, Busan 47044, South Korea Tel: +82-51-620-4100

Busan Business Center | Qlight Building, 704 Nakdong-daero, Sasang-gu, Busan 47044, South Korea Tel: +82-51-245-0017

---

*China Corporation SHANGHAI Qlight Electronic Co., Ltd. www.qlight.com www.qlightcn.com | qlightcn@qlight.com*

Sales Corporation (Shanghai) | Room 333 Building B, No.11, Lane 450, Zhenda Road, Baoshan District, Shanghai, China

Tel: +86-21-6651-7100 Fax: +86-21-6315-3929

Manufacturing Corporation (Qidong) | No.33, Haiyan Road, Qidong High-tech Industrial Development Zone, Qidong, Jiangsu Province, China

Tel: +86-513-8384-9999 Fax: +86-513-8384-9910

**Qlightec**

Innovation in Alarm & Signal

Product Operation Inquiry / Customer Support +82-51-620-4100

You can expect prompt service if you have exact information such as model name, symptom, telephone number and address.

※ ALL PRODUCT, PRODUCT SPECIFICATIONS AND DATA ARE SUBJECT TO CHANGE WITHOUT NOTICE TO IMPROVE RELIABILITY, FUNCTION OR DESIGN OR OTHERWISE.

Head office : Suite #1510, STX-V Tower, 128 Gasan digital 1-ro, Geumcheon-gu, Seoul, Korea (Postal Code : 08507)

Factory : 185-25, Mukbang-Ro, Sangdong-Myeon, Gimhae-Si, Gyeongsangnam-Do, Korea (Postal Code : 50805)

www.qlight.com

EN - QML-150 - 2512A