

Q80L Series



Q80L



Q80LW

PRODUCT SPECIFICATION

Q80L | Q80LW | Q80LP

Materials Lens-PC, housing-ABS, mounting bracket-PC

Ambient operating temperature -30°C to +50°C

Volume Max.80dB at 1m

Protection rating IP65

Flashing rate 60-80/min

Compliant with RoHS directive

- Small-sized signal light of Ø80mm with attractive appearance
- Shock and vibration-resistant, maintenance reduced with long-lasting energy-efficient LED light bulb
- Selectable mounts available depending on your application environment(direct mount, wall mount, pole mount)
- Features high visibility with special diffusive lens and direct LED light distribution system
- Built-in switch for selection between steady and flashing light mode
- Can select between standard and built-in buzzer type depending on installation environment

Q80L / Q80LW / Q80LP LED Steady/Flashing Signal Light

Model number	Voltage	Current	Certificates	Weight	Color
Q80L	DC12V-24V	Max.205mA	CE UL	Q80L-0.15kg	<ul style="list-style-type: none"> ● R-Red ● A-Amber ● G-Green ● B-Blue
Q80LW	AC110V-220V	Max.65mA		Q80LW-0.57kg	
Q80LP			Q80LP-1.09kg		
			(Weight Above Include QZ24)		

- Various mounting options are available
- ※ DC type model has a free-voltage range of 10V-30V.
- ※ AC type model has a free-voltage range of 100V-240V.
- ※ UL Listed: DC24V

Wiring Instructions

- External Power line - UL1015 AWG18(0.75sq) x 2C 400mm
- This product can be wired regardless of polarity.

Customization

- Customized pole length available

Mounting Bracket

Standard	LB24	LW24	QZ24	SZ24	QL24	SL24
Steel	Steel	ABS	ABS	Al	ABS	Al

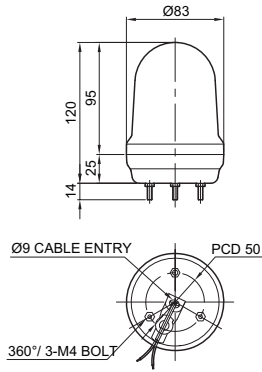
Please refer to [Tower Light Mounting Bracket] on this catalogue for detailed dimensions.



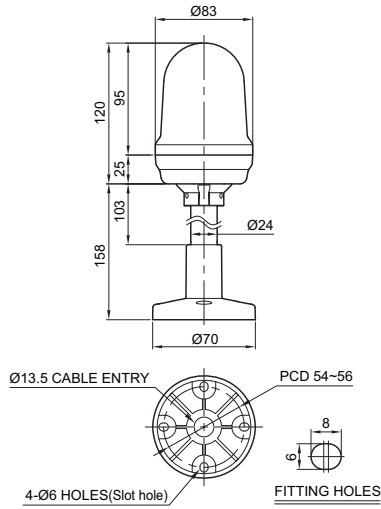
Technical Diagram

Units: mm

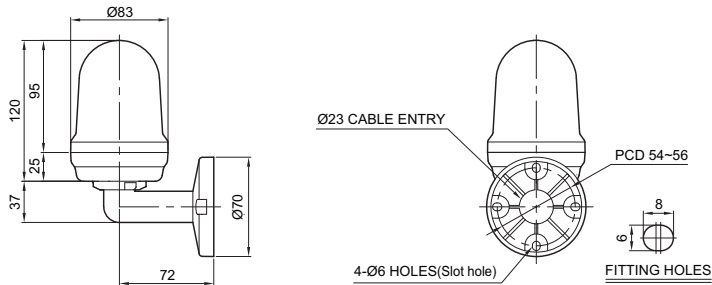
·Q80L



·Q80LP



·Q80LW



Q80LP
(SZ24 Bracket)

Ordering Specification

Q80LP	-	BZ	-	12/24	-	R	-	QZ24
[Model number]		[Buzzer option]		[Voltage]		[Color]		[mount bracket]
Q80L Q80LW Q80LP		(None) - No buzzer BZ - Built-in buzzer		12/24-DC12V-24V 110/220-AC110V-220V		● R-Red ● A-Amber ● G-Green ● B-Blue		(None) - Standard Bracket -LB24-LW24 -QZ24-SZ24 -QL24-SL24