

Explosion proof LED Signal Beacon and Electronic Sounder Max.123dB

QN Series

Explosion proof LED signal beacon & electronic sounder with convenient selection of steady, flashing, strobe, and simulated revolving operation



QNVS / QNVS-H

PRODUCT SPECIFICATION

QNVS | QNVS-H
QNHS | QNHS-H

Materials Housing-Al, Horn housing-PC, Lens-Tempered glass, Filter-PC

Ambient operating temperature
-40°C ≤ Tamb ≤ +70°C (T5), -40°C ≤ Tamb ≤ +55°C (T6)

Sound volume
QNVS/QNHS-Max.118dB at 1m,
QNVS-H/QNHS-H-Max.123dB at 1m(Volume adjustable)

Explosion protection rating
IECEX - Ex db IIC T6 Gb, IP66
Ex db IIC T5 Gb, IP66
ATEX - Ex II 2G Ex db IIC T6 Gb, IP66
Ex II 2G Ex db IIC T5 Gb, IP66

NEPSI, CCC -Ex db IIC T6/T5 Gb, IP66
KCs - Ex d IIC T5/T6 IP66

Certificates ATEX, IECEX, NEPSI, CCC, KCs

Housing standard color Red

Cable entry 1/2" NPT

Flashing rate(LF type) 60-80 flashes/min.

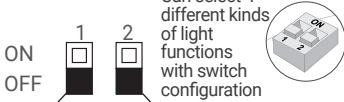
Strobe rate(LS type) 70-80 flashes/min.

Simulated revolving rate(LR type) 120-140RPM

- Multiple lighting effects such as LED steady, flashing, strobe, and simulated revolving
- Features excellent shock and vibration resistance, maintenance significantly reduced with long-lasting LED light source
- A variety of sound selections between warning sounds, alarm sounds, melodies and voice messages to fit your sophisticated application needs
- Features superior durability with aluminum housing
- Fully enclosed structure with protection rating of IP66

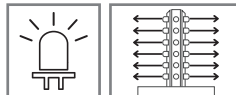
Instruction for Light Function Switch

ON=1/OFF=0

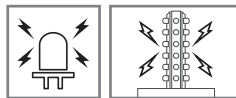


No.	1	2	Operation
0	0	0	LED Steady
1	0	1	LED Flashing
2	1	0	LED Strobe
3	1	1	LED Simulated revolving flashing

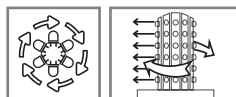
Operation



• **LED Steady/Flashing**
Repeat operation of LED light on/off



• **LED Strobe**
Short LED steady/flashing. Creates a xenon flashing effect by providing maximum electric current



• **LED Simulated Revolving Flashing**
LED flashes steadily around the cylindrical LED filaments which makes a simulated revolving effect

Customization

- Explosion proof cable gland attached type available(Standard type does not come with explosion proof cable gland)
- 2 ways cable entries
- Customized cable entry (3/4" NPT, M20×1.5, M25×1.5) available

QNVS/QNVS-H Explosion Proof LED Signal Beacon Light and Electronic Sounder, Max.123dB

Model number	Voltage	Current	Sound pattern and volume	Certificates	Weight	Color
QNVS	DC12V	Max. 1.4A	· WS-5 Warning sounds: Max.118dB · WP-5 Special warning sounds: Max.118dB · WM-5 Melodies: Max.118dB	IECEX	7.50Kg	● R-Red ● A-Amber ● G-Green ● B-Blue
	-24V		· WA-5 Alarms: Max.116dB · WV-5 Customizable voices: 110-115dB	ATEX	7.65Kg	
QNVS-H	DC12V	Max. 3.4A	· WS-5 Warning sounds: Max.123dB · WP-5 Special warning sounds: Max.123dB · WM-5 Melodies: Max.123dB	KCs	7.50Kg	
	-24V		· WA-5 Alarms: Max.121dB · WV-5 Customizable voices: 115-120dB	CCC	7.65Kg	

※ Max.built-in volume feature is based on WS, WP-Ch1 / WM-Ch5 / WA-Ch5.

※ In case of customized WV 5 tone type, there may be difference of volume depending on user's audio file type.



QNHS/QNHS-H Explosion Proof LED Signal Beacon Light and Electronic Sounder, Max.123dB

Model number	Voltage	Current	Sound pattern and volume	Certificates	Weight	Color
QNHS	DC12V	Max. 1.4A	· WS-5 Warning sounds: Max.118dB · WP-5 Special warning sounds: Max.118dB · WM-5 Melodies: Max.118dB · WA-5 Alarms: Max.116dB · WV-5 Customizable voices: 110-115dB		7.50Kg	● R-Red ● A-Amber ● G-Green ● B-Blue
	-24V	1.4A				
QNHS-H	AC110V	Max. 390mA	· WS-5 Warning sounds: Max.123dB · WP-5 Special warning sounds: Max.123dB · WM-5 Melodies: Max.123dB · WA-5 Alarms: Max.121dB · WV-5 Customizable voices: 115-120dB		7.65Kg	● R-Red ● A-Amber ● G-Green ● B-Blue
	-230V	3.4A				
QNHS-H	DC12V	Max. 3.4A	· WS-5 Warning sounds: Max.123dB · WP-5 Special warning sounds: Max.123dB · WM-5 Melodies: Max.123dB · WA-5 Alarms: Max.121dB · WV-5 Customizable voices: 115-120dB		7.50Kg	● R-Red ● A-Amber ● G-Green ● B-Blue
	-24V	3.4A				
QNHS-H	AC110V	Max. 560mA	· WS-5 Warning sounds: Max.123dB · WP-5 Special warning sounds: Max.123dB · WM-5 Melodies: Max.123dB · WA-5 Alarms: Max.121dB · WV-5 Customizable voices: 115-120dB		7.65Kg	● R-Red ● A-Amber ● G-Green ● B-Blue
	-230V	560mA				

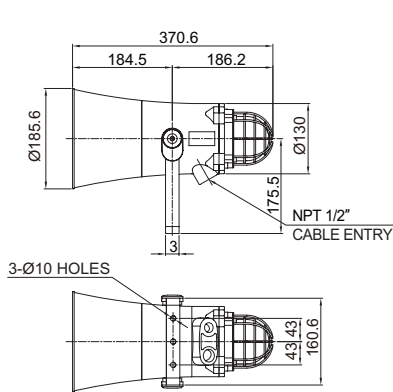


QNHS / QNHS-H

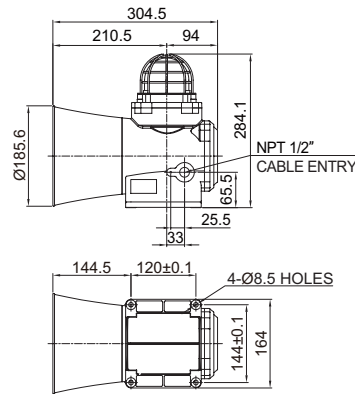
※ Max.built-in volume feature is based on WS, WP-Ch1 / WM-Ch5 / WA-Ch5.
 ※ In case of customized WV 5 tone type, there may be difference of volume depending on user's audio file type.

Technical Diagram Units: mm

·QNVS / QNVS-H

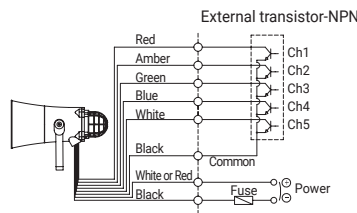
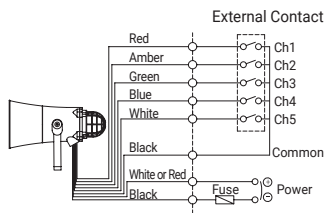


·QNHS / QNHS-H

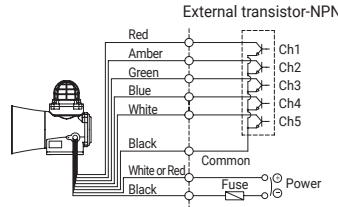
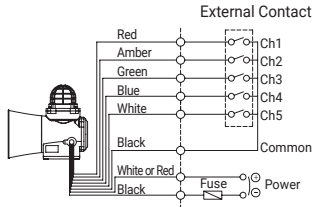


Wiring Instructions

·QNVS / QNVS-H DC/AC



·QNHS / QNHS-H DC/AC



Ordering Specification

QNVS	WA	12/24	R	LC	IECEx
[Model number]	[Sound]	[Voltage]	[Color]	[Sound selection]	[Certificates]
QNVS	WS-Warning sounds	12/24	● R-Red	None-Built-in switch	IECEx
QNVS-H	WP-Special warning sounds	-DC12V-24V	● A-Amber	LC-External contact	ATEX
QNHS	WM-Melodies	110/230	● G-Green		KCs
QNHS-H	WA-Alarms	-AC110V-230V	● B-Blue		CCC(NEPSI)
	WV-Customizable voices				

QN Series



QN / QN-H

PRODUCT SPECIFICATION

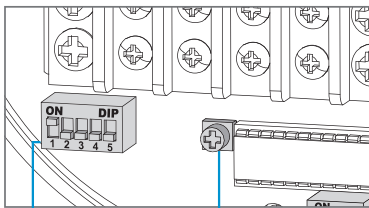
QN | QN-H

Materials Housing-Al, Horn housing-PC
Ambient operating temperature
 -40°C ≤ Tamb ≤ +70°C (T5), -40°C ≤ Tamb ≤ +55°C (T6)
Sound volume QN-Max.118dB at 1m, QN-H-Max.123dB at 1m
Sound protection rating
 IECEx - Ex db IIC T6 Gb, IP66
 Ex db IIC T5 Gb, IP66
 ATEX - Ex II 2G Ex db IIC T6 Gb, IP66
 Ex II 2G Ex db IIC T5 Gb, IP66
 KCs - Ex d IIC T5/T6 IP66
 NEPSI, CCC -Ex db IIC T6/T5 Gb, IP66
Certificates IECEx, ATEX, KCs, NEPSI, CCC
Housing standard color Red
Cable entry 1/2" NPT

- Explosion proof alarm horn sounder
- Various sound tones can be selected ; warning sound, alarm, melody
- Aluminum housing provides excellent durability
- Terminal for power wiring located inside of the housing

Sound Selection Instructions and Wiring

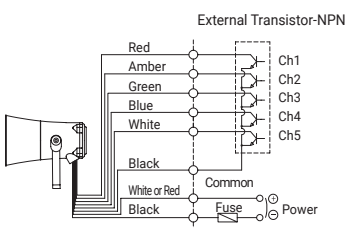
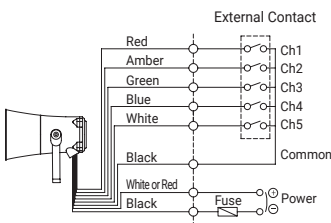
Standard type: Select sound using the switch inside of the unit. When you turn on the dip switch for each channel, the designated sound will be played.



Ch1 | Ch2 | Ch3 | Ch4 | Ch5
Volume

Customization : External contact(LC)
 In case of select sound between external contact and transistors, sound line is threading as customization when product released(LC).

QN / QN-H DC/AC



QN Explosion Proof Electronic Sounder, Max.123dB

Model number	Voltage	Current	Sound pattern and volume	Certificates	Weight
QN	DC12V-24V	Max. 1.15A	· WS-5 Warning sounds: Max.118dB · WP-5 Special warning sounds: Max.118dB · WM-5 Melodies: Max.118dB	IECEx	5.15Kg
	AC110V-230V	Max. 300mA	· WA-5 Alarms: Max.116dB · WV-5 Customizable voices: 110-115dB	ATEX	5.17Kg
QN-H	DC12V-24V	Max. 2.9A	· WS-5 Warning sounds: Max.123dB · WP-5 Special warning sounds: Max.123dB · WM-5 Melodies: Max.123dB	KCs	5.15Kg
	AC110V-230V	Max. 470mA	· WA-5 Alarms: Max.121dB · WV-5 Customizable voices: 115-120dB	CCC NEPSI	5.17Kg

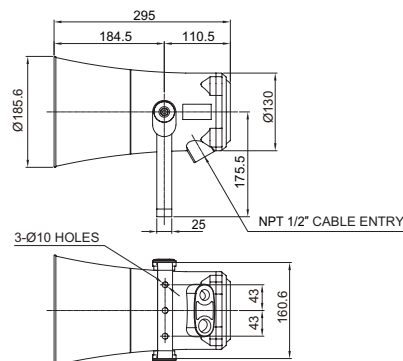
※ Max.built-in volume feature is based on WS, WP-Ch1 / WM-Ch5 / WA-Ch5.

※ In case of customized WV 5 tone type, there may be difference of volume depending on user's audio file type.

Technical Diagram

QN / QN-H

Units: mm



Customization

- Explosion proof cable gland attached type available (Standard type does not come with explosion proof cable gland)
- 2 ways cable entries
- Customized cable entry (3/4" NPT, M20 x 1.5, M25 x 1.5) available

Ordering Specification

QN	WM	12/24	LC	IECEx
[Model number]	[Sound]	[Voltage]	[sound selection]	[Certificates]
QN QN-H	WS-Warning sounds WP-Special warning sounds WM-Melodies WA-Alarms WV-Customizable voices	12/24-DC12V-24V 110/230-AC110V-230V	None-Standard type LC Type-Uses external contact	IECEx ATEX KCs CCC(NEPSI)