

1

2

3

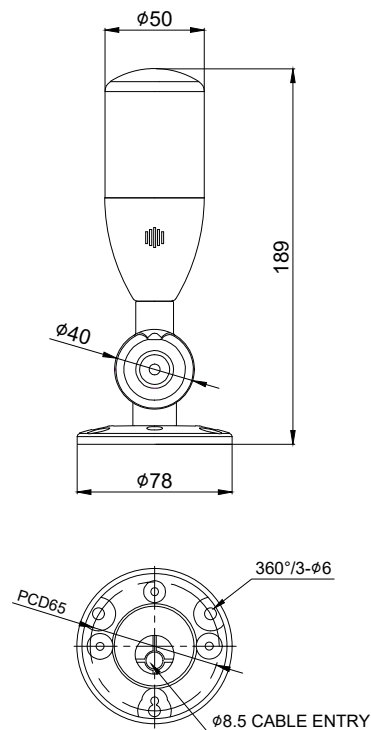
4

5

6


| MARK | DATE | REVISION | REVISER | APP. BY |
|------|------|----------|---------|---------|
| ① | | | | |
| ② | | | | |
| ③ | | | | |

| | | | |
|------------------|---------------------------------------|-------|--------|
| MODEL NO | ET50MCL | | |
| MATERIAL | HOUSING-ABS | | |
| | LENS-PC | | |
| | BRACKET-ABS | | |
| COLOR OF LENS | 3 COLORS | | |
| USE VOLT. | CURRENT | DC24V | 0.053A |
| VOLUME | MAX. 85dB at 1m (BUZZER TYPE) | | |
| PROTECTION GRADE | WATER & DUST PROOF IP20 | | |
| | WATER & DUST PROOF IP20 (BUZZER TYPE) | | |
| CABLE ENTRY | ø8.5 LEAD HOLE | | |
| COLOR OF HOUSING | MAKER STANDARD | | |
| ACTION | LED STEADY LIGHT | | |



| ISO2768-1 : CLASS OF TOLERANCE | | | | | |
|--------------------------------|---------|--------|--------|--------|---|
| FOR LINEAR DIMENSIONS | | f | m | ⊙ | v |
| | 0.5~3 | ±0.05 | ±0.1 | ±0.2 | - |
| 3~6 | ±0.1 | ±0.2 | ±0.3 | ±0.5 | |
| 6~30 | ±0.15 | ±0.3 | ±0.5 | ±1 | |
| 30~120 | ±0.2 | ±0.5 | ±1.2 | ±2.5 | |
| 120~400 | ±0.3 | ±0.8 | ±2 | ±4 | |
| FOR ANGULAR DIMENSIONS | 0~10 | ±1° | ±1°30' | ±3° | |
| | 10~50 | ±0°30' | ±1° | ±2° | |
| | 50~120 | ±0°20' | ±0°30' | ±1° | |
| | 120~400 | ±0°10' | ±0°13' | ±0°30' | |

SURFACE FINISH

| Nr. | DWG. NO. | TITLE/ NAME | MAT'L | QTY | REFERENCE |
|---------------------------------------------------------------------------------------|----------|-------------|-------------|------|-----------|
| DSND BY | CHKD BY | CHKD BY | APRV BY | VIEW | DATE |
| J.K.HAN | J.H.PARK | | J.I.BAE | 3 | 2022.9.20 |
| TITLE | | | MODEL | | |
| ET50MCL OUTLINE DRAWING | | | ET50MCL | | |
|  | | | DWG. NO. | | |
| | | | ET50MCL_OUT | | |
| SCALE | SIZE | REV | SHEET | | |
| N/S | A4 | 00 | 1/1 | | |

1

2

3

4

5

6

A4(297X210)