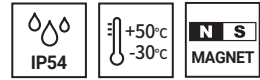


# Ø100mm Xenon Lamp Strobe Signal Lights

## S100 Series



### PRODUCT SPECIFICATION

S100S | S100SM

**Materials** Lens-AS, Housing-ABS  
**Ambient operating temperature** -30°C to +50°C  
**Protection rating** IP54  
**Flashing rate** 60-80/min

- Ø100mm xenon lamp strobe signal lights
- It has high instantaneous luminous efficiency and emits signal light close to natural light, providing excellent long-distance visibility
- Lamp connector structure for convenient lamp replacement



S100S



S100SM

### S100S Xenon Lamp Strobe Signal Lights

Model number	Voltage	Current	Xenon lamp			Certificates	Weight	Color
			Spec	Standard	Parts no			
S100S	DC12V -24V	Max. 1.3A	200V -550V	EUB0641 -1A(G)	48	CE	0.25kg	<ul style="list-style-type: none"> <li>● R-Red</li> <li>● A-Amber</li> <li>● G-Green</li> <li>● B-Blue</li> </ul>
	AC110V	260mA		U Type				
	AC220V	270mA						

※ CE Compliant: DC12V-24V

### S100SM Xenon Lamp Strobe Light Equipped with Magnet

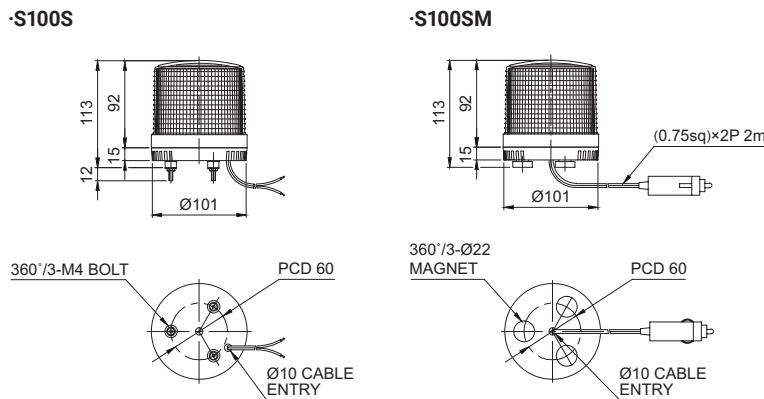
Model number	Voltage	Current	Xenon lamp			Certificates	Weight	Color
			Spec	Standard	Parts no			
S100SM	DC12V -24V	Max. 1.3A	200V -550V	EUB0641 -1A(G) U Type	48	CE	0.34kg	<ul style="list-style-type: none"> <li>● R-Red</li> <li>● A-Amber</li> <li>● G-Green</li> <li>● B-Blue</li> </ul>

### Wiring Instructions

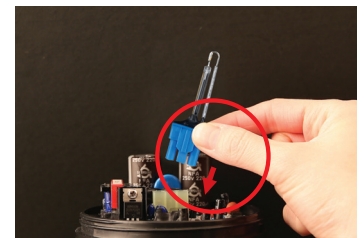
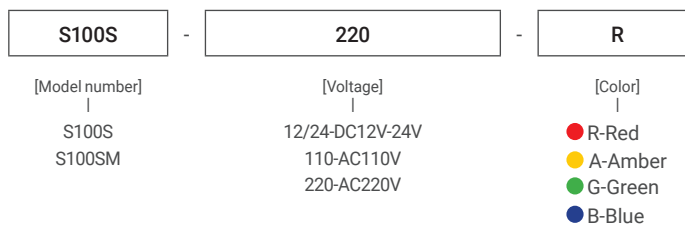
- External Power line(S100S) - UL1015 AWG18(0.75sq) x 2C 400mm
- External Power line(S100SM) - Cigarette lighter plug, IEC42(0.75sq) x 2P 2m
- This product can be wired regardless of polarity.

### Technical Diagram

Units: mm



### Ordering Specification



### Xenon lamp replacement instructions

Convenient lamp replacement with connector lamp type. Lamp replacement is safe after the product is Powered off for 30 mins.

### Customization

- AC Type(S100SM)
- Wall mount bracket options(S100S)
- Bracket structure allows for threading through the bracket hole or into the wall mount

