

SN / SEHN25 / SEHN50



SN
(Max.100dB)



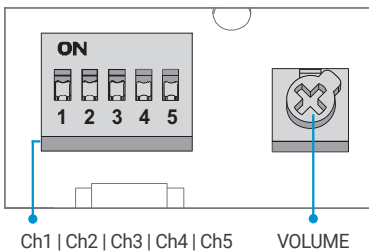
SEHN25
(Max.115dB)



SEHN50
(Max.118dB)

Wiring Instructions

- Standard specification
- Uses internal switches
- When each channel dip switch is on, a related sound will be played



PRODUCT SPECIFICATION

SN | SEHN25 | SEHN50

Materials Housing-Steel, Horn housing -Steel
Ambient operating temperature -25°C to +50°C
Protection rating IP55
Housing standard color Red

- Steel housing provides excellent vibration and shock resistance under seismic conditions
- A variety of sound selections between warning sounds, alarm sounds, melodies and voice messages to fit your sophisticated application needs
- Can adjust sound volume with the switch built inside the unit

SN Electronic Sounder, Max.100dB Self Stand Type

Model number	Voltage	Current	Sound pattern and volume	Certificates	Weight
SN	DC12V-24V	Max.265mA	·WS-5 Warning sounds: Max.98dB ·WM-5 Melodies: Max.98dB	CE	0.91kg
	AC110V	65mA	·WA-5 Alarms: Max.100dB		1.06kg
	AC220V	30mA	·WV-5 Customizable sounds: 92-96dB		

※ CE compliant : DC12V-24V, AC220V

※ Max. built-in volume feature is based on WS, WP-Ch3 / WM-Ch4 / WA-Ch4.

※ In case of customized WV 5 tone type, there may be difference of volume depending on user's audio file type.

SEHN25 Electronic Sounder, Max.115dB Self Stand Type

Model number	Voltage	Current	Sound pattern and volume	Certificates	Weight
SEHN25	DC12V	2.2A	·WS-5 Warning sounds: Max.115dB ·WM-5 Melodies: Max.115dB		2.26kg
	DC24V	1A			2.48kg
	AC110V	220mA	·WA-5 Alarms: Max.113dB		
	AC220V	110mA	·WV-5 Customizable sounds: 99-112dB		

※ Max. built-in volume feature is based on WS, WP-Ch1 / WM-Ch5 / WA-Ch2.

※ In case of customized WV 5 tone type, there may be difference of volume depending on user's audio file type.

SEHN50 Electronic Sounder, Max.118dB Self Stand Type

Model number	Voltage	Current	Sound pattern and volume	Certificates	Weight
SEHN50	DC12V	2.45A	·WS-5 Warning sounds: Max.118dB ·WM-5 Melodies: Max.115dB		2.67kg
	DC24V	1.15A			3.30kg
	AC110V	280mA	·WA-5 Alarms: Max.118dB		
	AC220V	170mA	·WV-5 Customizable sounds: 108-118dB		

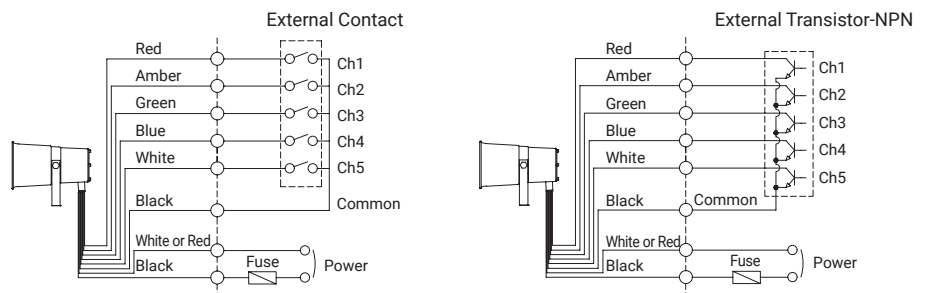
※ Max. built-in volume feature is based on WS, WP-Ch1 / WM-Ch4 / WA-Ch2.

※ In case of customized WV 5 tone type, there may be difference of volume depending on user's audio file type.

※ Please refer to [Sound tone and combination for standard product] on this catalogue for detailed sound tone specification

·SN / SEHN25 / SEHN50-DC/AC

- Customization: Uses external contact(LC)



· External power line VCTF(0.75sq) x 2C 400mm

· LC type external signal line - UL1007 AWG22(0.3sq) 400mm

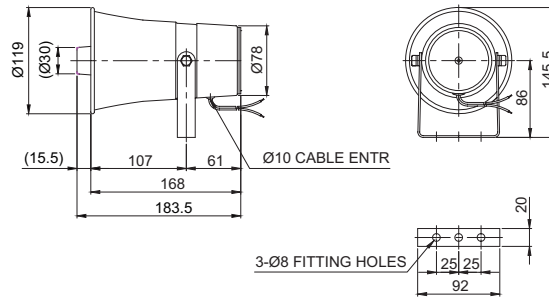
· Product can be wired regardless of polarity.



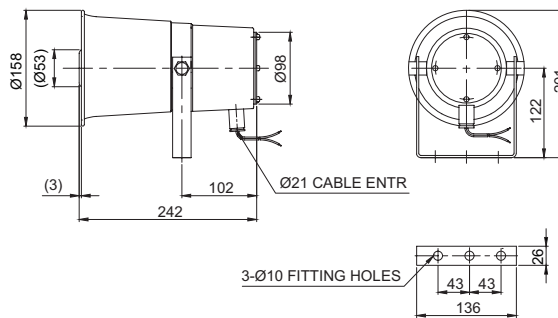
Technical Diagram

Units: mm

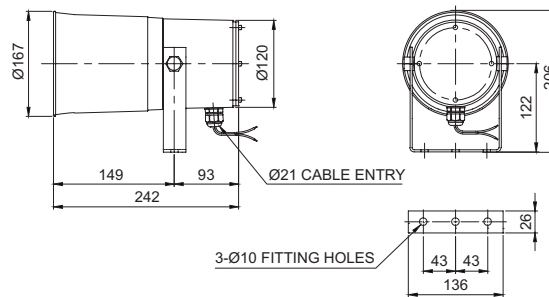
-SN



-SEHN25



-SEHN50



Customization

- You can select the audible sound pattern using External Contacts or transistor with a customized external sound line. (Model number : -LC)

Ordering Specification

SEHN25	-	WA	-	220	-	LC
[Model number]		[Sounds]		[Voltage]		[sound selection]
SN SEHN25 SEHN50		WS-Warning WM-Melody WA-Alarm WV-Customizable sound		12-DC12V 24-DC24V 12/24-DC12V-24V(SN only) 110-AC110V 220-AC220V		None-Built-in switch LC Type-Uses external contact