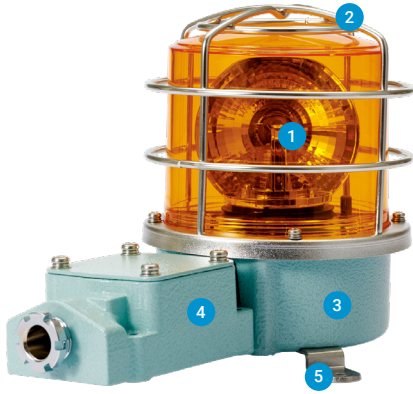


SH1 / SH2 Series

Superior durability with fully enclosed structure and corrosion resistance, suitable for vessels and heavy industry applications



PRODUCT SPECIFICATION

SH1 Series | SH2 Series

Materials Lens-PC, Housing-Al, STS316L(SH1-SUS)

Protection cage-ST316L, Reflector-PC, Reflector for bulb type-Heat resistant ABS, Bracket-ST316L

Protection rating IP66

Housing standard color MUNSELL No. 7.5BG 7/2

Cable entry 1/2" PF

- Aluminum housing and polycarbonate lens material provides excellent impact resistance under seismic conditions
- STS housing provides superior durability and corrosion resistance(SH1-SUS)
- Excellent hermetic structure that blocks water and dust
- Can select a variety of light sources (Bulb, LED, and xenon) for your application needs and environmental conditions
- Terminals located inside the terminal box or product

1 Lenses

- Utilizes a strong and durable polycarbonate material with excellent shock and vibration resistance
- The lens surface has two types depending on the light source function-Light diffusion type and light transmission type



Light transmission type

LED revolving type
Bulb revolving type
SH()LR | SH()



Light diffusion type

LED steady/flashing type
xenon lamp strobe type
SH()L | SH()S

2 Protection cage

- The durable protection cage is made of corrosion resistant stainless steel that prevents damage to the lens from external contact
- Materials: STS316L

3 Housing

- The special aluminum body housing features superior durability
- STS housing provides superior durability and corrosion resistance(SH1-SUS)
- The housing is corrosion resistant from a special anodized surface treatment process
- Materials: Al, STS316L(SH1-SUS)

4 Terminal box

- Terminal box is located on the side of housing for easy wiring
- Materials: Al

5 Brackets

- Stainless steel mounting bracket is conveniently attached to the outer surface of the product
- Materials: STS316L

A Variety of Selectable Light Source and Function Combinations

You can select from a variety of light sources for your work environment, condition, and purpose. Basic specifications are as follows.

- LED revolving type
- LED steady/flashing type
- Xenon lamp strobe type
- Bulb revolving type

Customization

- LED Strobe type
- LED revolving type

Product Categories



Standard type

- Protection cage or terminal box not attached
- Terminals located inside the housing
- Use in environments that has low probability of damage to the lens due to external forces
- SH1/SH2 Series is available in this model



Built-in terminal box

- Equipped with a terminal box for easy wiring
- Use in environments that has low probability of damage to the lens due to external forces
- SH1T()/SH2T() is available in this model



Protection cage mounted type

- Equipped with a Protection cage
- Terminals located inside the housing
- Use in environments that has low probability of damage to the lens due to external forces
- SH1()/SH2()P is available in this model



Terminal box and protection cage mounted type

- Equipped with a protection cage and a terminal box
- Terminal box enables easy wiring
- Damage to the lens from external forces can be prevented with protection cage
- SH1T()P/SH2T()P is available in this model

SH1L / SH2L



SH1LP



SH2TL

PRODUCT SPECIFICATION

SH1L | SH2L

Materials Lens-PC, Housing-AI, STS316L(SH1L-SUS)
 Protection cage-STS316L, Reflector-Heat resistant ABS
 Bracket-STS316L
Ambient operating temperature -30°C to +50°C
Protection rating IP66
Housing standard color MUNSELL No. 7.5BG 7/2
Cable entry 1/2" PF
Flashing rate 60-80 flashes/min

- Uniform and clear light diffusion with multi layered LED light distribution reflector
- Built-in switch for selection between steady and flashing mode
- STS housing provides superior durability and corrosion resistance(SH1L-SUS, SH1LP-SUS)

SH1L LED Steady/Flashing Signal Beacons

Model number	Voltage	Current	Certificates	Color
SH1L Standard type	DC12V-24V	Max.300mA	CCS	<ul style="list-style-type: none"> ● R-Red ● A-Amber ● G-Green ● B-Blue
SH1L-SUS Standard type				
SH1LP Protection cage type	AC110V	70mA		
SH1LP-SUS Protection cage type				
SH1TL Terminal box type	AC220V	35mA		
SH1TLP Protection cage and terminal box type				

※ CCS compliant: SH1L / SH1LP only

SH2L LED Steady/Flashing Signal Beacons

Model number	Voltage	Current	Certificates	Color
SH2L Standard type	DC12V-24V	Max.300mA	-	<ul style="list-style-type: none"> ● R-Red ● A-Amber ● G-Green ● B-Blue
SH2LP Protection cage type				
SH2TL Terminal box type	AC110V	70mA		
SH2TLP Protection cage and terminal box type				
	AC220V	35mA		

SH1L | SH2L LED Steady/Flashing Signal Beacons Specification Category and Products Weight Chart

Type	SH1 Series	SH2 Series
Lens diameter	Φ125mm	Φ150mm
Standard	SH1L (1.49kg) SH1L-SUS (1.93kg)	SH2L (1.57kg)
Built-in protection cage	SH1LP (1.74kg) SH1LP-SUS (2.18kg)	SH2LP (1.86kg)
Built-in terminal box	SH1TL (1.95kg)	SH2TL (2.03kg)
Built-in protection cage & Terminal box	SH1TLP (2.20kg)	SH2TLP (2.32kg)

※ Product weight is based on AC type.

SH1L /SH2L models are equipped with flexible connector, and SH1TL /SH2TL models are equipped with 15C nipple at cable entry.



Flexible connector



15C nipple

Ordering Specification

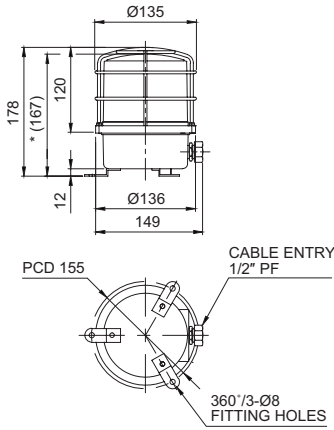
SH2L	-	220	-	R	-	SUS
[Model number]		[Voltage]		[Color]		[Housing materials]
SH1L / SH1LP		12/24-DC12V-24V 110-AC110V 220-AC220V		<ul style="list-style-type: none"> ● R-Red ● A-Amber ● G-Green ● B-Blue 		None - AI SUS - STS316L
SH1TL / SH1TLP SH2L / SH2LP SH2TL / SH2TLP						

SH1 / SH2 Series

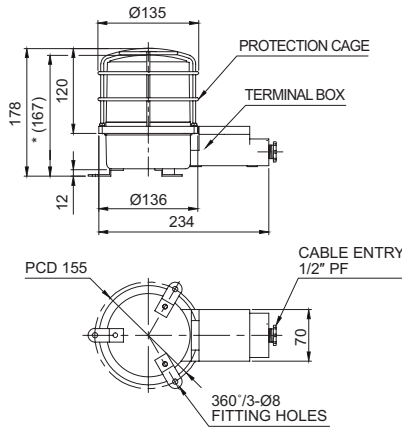
Technical Diagram

Units: mm

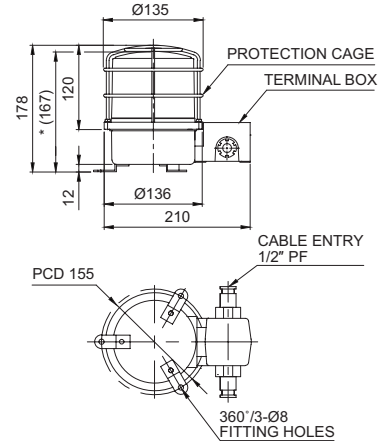
·SH1LRP(-SUS) / SH1LP(-SUS) / SH1SP(-SUS) / SH1P(-SUS)



·SH1TLRP / SH1TLP / SH1TSP / SH1TP

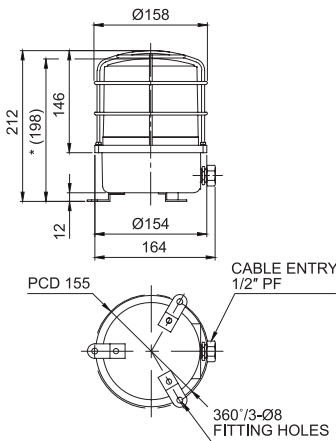


·SH1LR-2TP / SH1L-2TP / SH1S-2TP / SH1-2TP (Cable entry 2EA type)

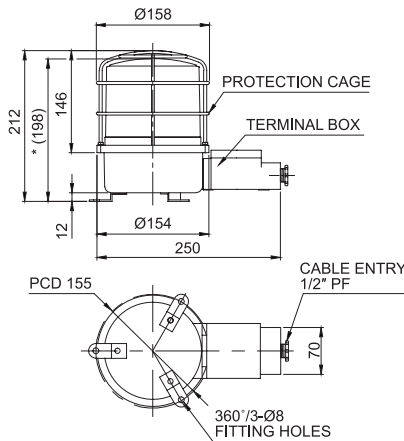


※ *(167) represents SH1LR(-SUS)/ SH1L(-SUS)/SH1S(-SUS)/ SH1(-SUS), SH1TLR/ SH1TL/ SH1TS/ SH1T size without protection cage.

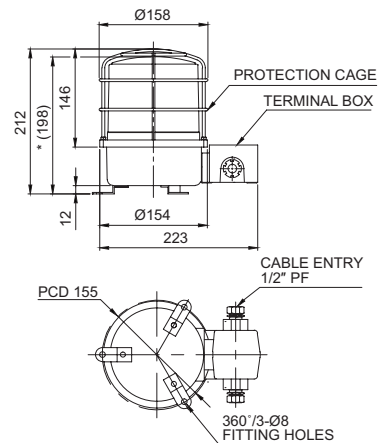
·SH2LRP / SH2LP / SH2SP / SH2P



·SH2TLRP / SH2TLP / SH2TSP / SH2TP



·SH2LR-2TP / SH2L-2TP / SH2S-2TP / SH2-2TP (Cable entry 2EA type)



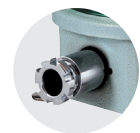
※ *(198) represents SH2 Series size without protection cage.

Wiring Instructions

· SH1(-SUS), SH1LR(-SUS), SH2, SH2LR : Black output line is negative(-).

Customization

- 3/4" PF Cable entry
Standard cable entry is 1/2" PF, 3/4" PF is customization
- Built-in cable gland type
Flexible connector is equipped to the standard cable entry
- Brass housing product (SH2(T)S, SH2(T)LR, SH2(T)L, SH2(T) Series only)
Color will be MUNSELL No. 7.5BG 7/2 when released.
- 2T type has 2 cable entries in the terminal box
2 cable entries terminal box is a customized add-on.



Built-in cable gland



Brass housing product



2 cable entries terminal box model