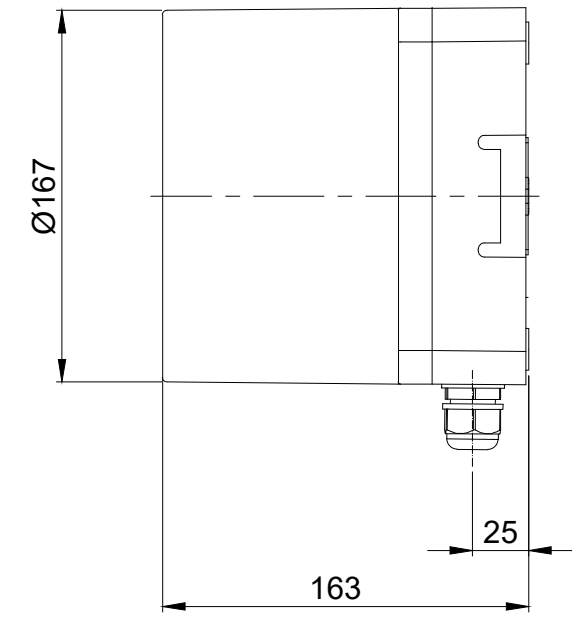
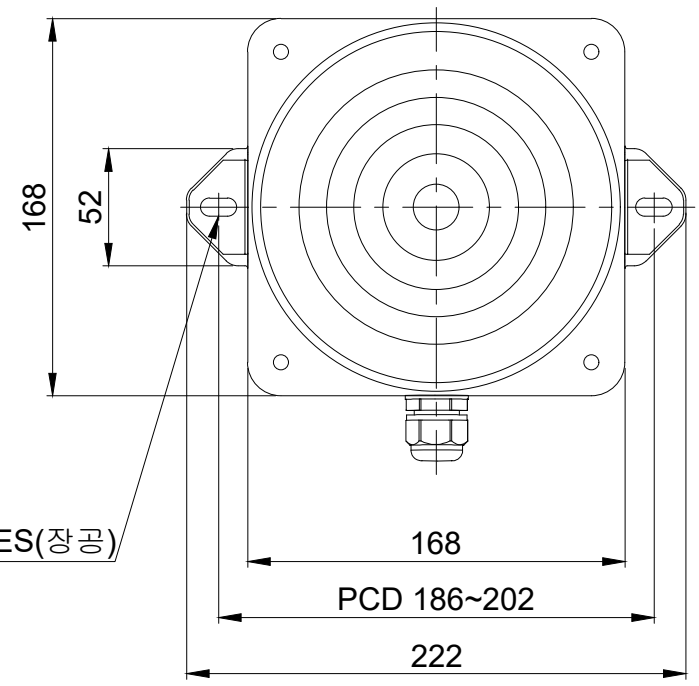
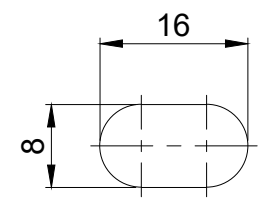
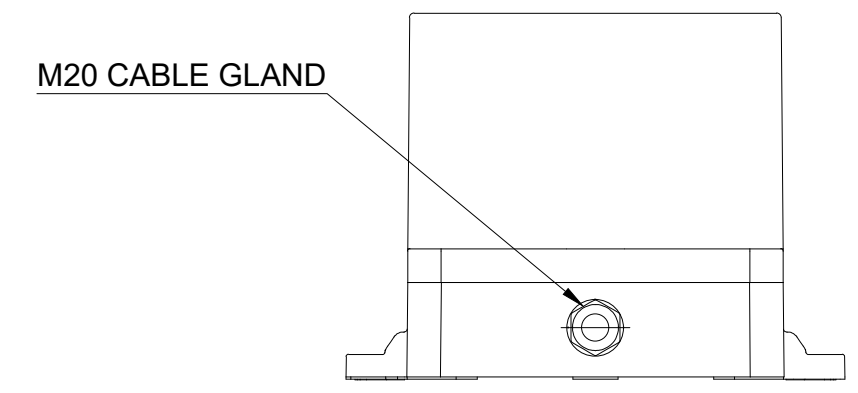


1 2 3 4 5 6

MARK	DATE	REVISION	REVISER	APP .BY
①				
②				
③				



MODEL NO	QWCD50				
MATERIAL	HORN-PC				
	HOUSING-PC+ABS				
COLOR OF LENS	RED( ), AMBER( ), GREEN( ), BLUE( )				
USE VOLT.	CURRNET	STANDARD	DC12V ~ 24V	0.2W	MAX. 5.45A
			AC110V ~ 220V		MAX. 0.90A
	SD CARD TYPE	DC12V ~ 24V	MAX. 3.80A		
		AC110V ~ 220V	MAX. 0.72A		
KIND OF SOUND	VOLUME	WARNING SOUNDS 31Ch		MAX. 115dB at 1m	
		MP3 SOUNDS		MAX. 113dB at 1m	
PROTECTION GRADE	WATER & DUST PROOF - IP66				
CABLE ENTRY	M20 CABLE GLAND				
COLOR OF HOUSING	MAKER STANDARD				
ACTION	LED LAMP STROBE LIGHT				



FITTING HOLES

	ISO2768-1 : CLASS OF TOLERANCE					SURFACE FINISH
		f	m	Ⓢ	v	
FOR LINEAR DIMENSIONS	0.5~3	±0.05	±0.1	±0.2	-	
	3~6			±0.3	±0.5	
	6~30	±0.1	±0.2	±0.5	±1	
	30~120	±0.15	±0.3	±0.8	±1.5	
	120~400	±0.2	±0.5	±1.2	±2.5	
	400~1000	±0.3	±0.8	±2	±4	
FOR ANGULAR DIMENSIONS	0~10	±1°		±1°30'	±3°	
	10~50	±0°30'		±1°	±2°	
	50~120	±0°20'		±0°30'	±1°	
	120~400	±0°10'		±0°13'	±0°30'	

Nr.	DWG. NO.	TITLE/ NAME	MAT'L	QT'Y	REFERENCE
DSND BY	CHKD BY	CHKD BY	APRV BY	VIEW	DATE
S.H.KIM	J.H.PARK		J.K.HAN	3	2019.03.20
TITLE			MODEL		
QWCD50 OUTLINE DRAWING			QWCD50		
			DWG. NO.		
			QWCD50_OUT		
SCALE	SIZE	REV	SHEET		
N/S	A4	00	1/1		

1 2 3 4 5 6 A4(297X210)