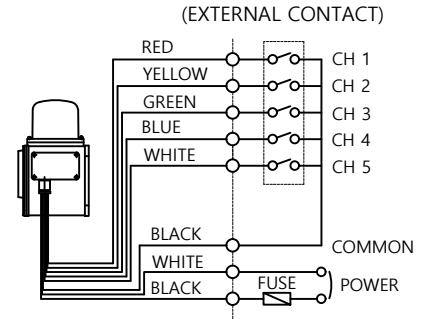


"A"PART

MARK	DATE	REVISION	REVISER	APP. BY
①				
②				
③				

MODEL NO	QJCD-P3L			
MATERIAL	HOUSING-PC+GF			
	LENS-PC			
	REFLECTOR-HEAT RESISTING ABS			
	PROTECTION CAGE-SUS316L			
COLOR OF LENS	RED(), AMBER(), GREEN()			
FLASHES PER MIN.	60 ~ 80			
USE VOLT.	LED	CURRENT	DC12V ~ DC50V AC110V ~ AC250V	ø5 Max. 1.3A Max.350mA
KIND OF SOUND	WS	5 WARNING SOUNDS		
	WM	5 MELODIES		
	WA	5 ALARMS		
	WV	3 VOICE SIGNALS		
SOUND LEVEL	MAX. 114dB			
PROTECTION GRADE	WATER & DUST PROOF IP66			
CABLE ENTRY	1/2"PF			
COLOR OF HOUSING	MAKER STANDARD			
ACTION	LED STEADY/ FLASHING LIGHT			



ELECTRICAL CONNECTION DIAGRAM

	ISO2768-1 : CLASS OF TOLERANCE					SURFACE FINISH
	f	m	⊙	v		
FOR LINEAR DIMENSIONS	0.5~3	±0.05	±0.1	±0.2	-	
	3~6			±0.3	±0.5	
	6~30	±0.1	±0.2	±0.5	±1	
	30~120	±0.15	±0.3	±0.8	±1.5	
	120~400	±0.2	±0.5	±1.2	±2.5	
	400~1000	±0.3	±0.8	±2	±4	
FOR ANGULAR DIMENSIONS	0~10	±1°	±1°30'	±1°30'	±3°	
	10~50	±0°30'	±1°	±1°	±2°	
	50~120	±0°20'	±0°30'	±0°30'	±1°	
	120~400	±0°10'	±0°13'	±0°13'	±0°30'	

Nr.	DWG. NO.	TITLE / NAME	MAT'L	1	-
DSND BY	CHKD BY	CHKD BY	APRV BY	VIEW	DATE
G-H,AHN			J.K.HAN	3	2011. 10. 28.
TITLE			MODEL		
QJCD-P3L OUTLINE DRAWING			QJCD-P3L		
			DWG. NO.		
			QJCD-P3L_OUT		
SCALE	SIZE	REV	SHEET		
N/S	A4	00	1/1		