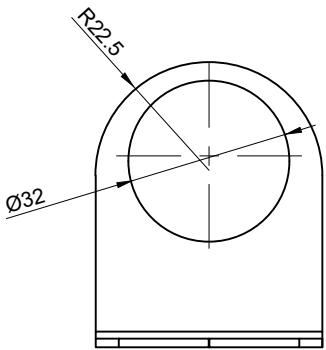
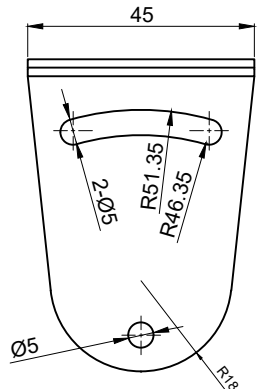
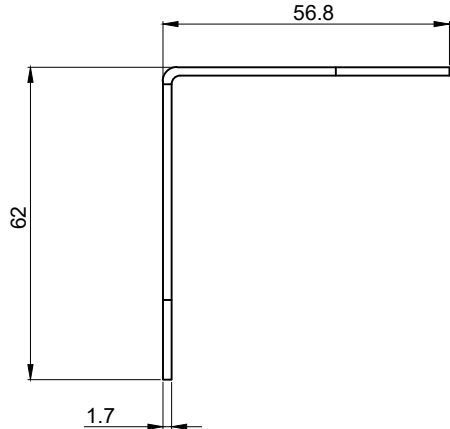



| MARK | DATE | REVISION | REVISER | APP_BY |
|------|------|----------|---------|--------|
| △ | | | | |
| △ | | | | |
| △ | | | | |



NOTE)
 1.Material: SUS304
 2.Thickness : 1.7T
 3.Please refer to right allowance table in case of the allowance is not shown.

| ISO2768-1 : CLASS OF TOLERANCE | | | | | SURFACE FINISH |
|--------------------------------|----------|--------|------|--------|----------------|
| | f | (m) | c | v | |
| FOR LINEAR DIMENSIONS | 0.5~3 | ±0.05 | ±0.1 | ±0.2 | - |
| | 3~6 | | | ±0.3 | ±0.5 |
| | 6~30 | ±0.1 | ±0.2 | ±0.5 | ±1 |
| | 30~120 | ±0.15 | ±0.3 | ±0.8 | ±1.5 |
| | 120~400 | ±0.2 | ±0.5 | ±1.2 | ±2.5 |
| | 400~1000 | ±0.3 | ±0.8 | ±2 | ±4 |
| FOR ANGULAR DIMENSIONS | 0~10 | ±1° | | ±1°30' | ±3° |
| | 10~50 | ±0°30' | | ±1° | ±2° |
| | 50~120 | ±0°20' | | ±0°30' | ±1° |
| | 120~400 | ±0°10' | | ±0°13' | ±0°30' |

| Nr. | DWG. NO. | TITLE/ NAME | MAT'L | QTY | REFERENCE |
|---|----------|-------------|------------------|------|---------------|
| DSND BY | CHKD BY | CHKD BY | MODEL | VIEW | DATE |
| K.H.PARK | J.I.BAE | | J.K.HAN | 3 | 2025. 11. 13. |
| TITLE | | | MODEL | | |
| LB32_BRACKET OUTLINE DRAWING | | | LB32_BRACKET | | |
|  | | | DWG. NO. | | |
| | | | LB32_BRACKET_OUT | | |
| SCALE | SIZE | REV | SHEET | | |
| N/S | A4 | 00 | 1/1 | | |