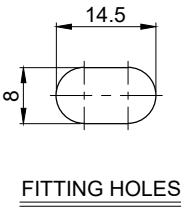
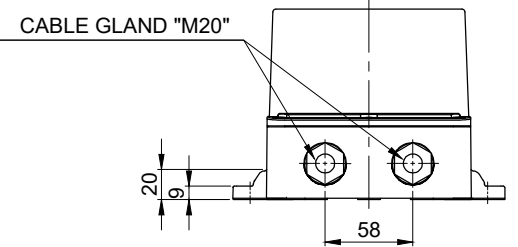
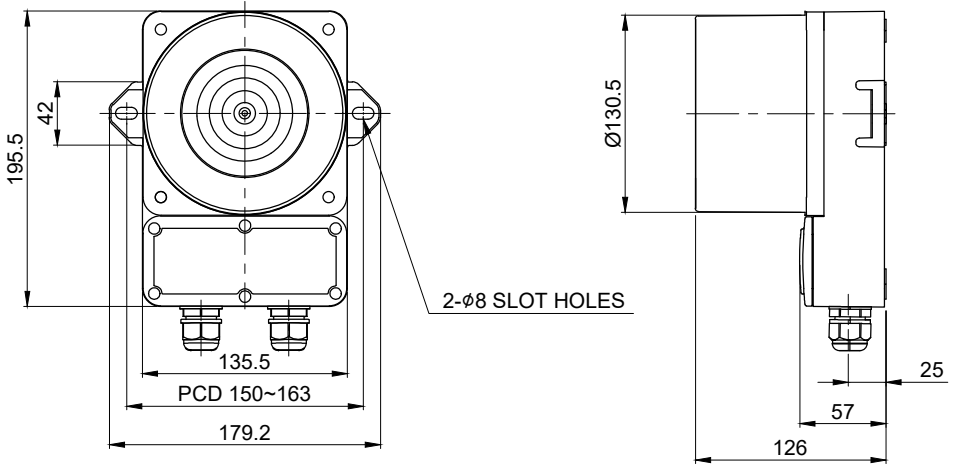


MARK	DATE	REVISION	REVISER	APP. BY
△1				
△2				
△3				

MODEL NO		QWH35BT	
MATERIAL		HORN-PC+ABS	
		HOUSING-PC+ABS	
		-	
COLOR OF LENS			
RED(), AMBER(), GREEN(), BLUE()			
USE VOLT.	CURRNET	DC12V	MAX. 0.32A
		DC24V	MAX. 0.22A
		AC110V ~ 220V	MAX. 0.12A
KIND OF SOUND	VOLUME	BUZZER MONO TONE	MAX. 115dB at 1m
PROTECTION GRADE		WATER & DUST PROOF - IP66	
CABLE ENTRY		φ21 CABLE ENTRY	
COLOR OF HOUSING		MAKER STANDARD	
ACTION		LED LAMP STROBE LIGHT	



ISO2768-1 : CLASS OF TOLERANCE					
FOR LINEAR DIMENSIONS		f	m	Ⓢ	v
	0.5~3	±0.05	±0.1	±0.2	-
	3~6	±0.05	±0.1	±0.3	±0.5
	6~30	±0.1	±0.2	±0.5	±1
	30~120	±0.15	±0.3	±0.8	±1.5
120~400	±0.2	±0.5	±1.2	±2.5	
400~1000	±0.3	±0.8	±2	±4	
FOR ANGULAR DIMENSIONS					
	0~10	±1°		±1°30'	±3°
	10~50	±0°30'		±1°	±2°
	50~120	±0°20'		±0°30'	±1°
120~400	±0°10'		±0°13'	±0°30'	

Nr.	DWG. NO.	TITLE/ NAME		MAT'L	QTY	REFERENCE
DSND BY	CHKD BY	CHKD BY	APRV BY	VIEW	DATE	
J.Y.KIM	J.Y.KIM		J.W.KIM	3	2023.04.11	
TITLE			MODEL			
QWH35BT OUTLINE DRAWING			QWH35BT			
			DWG. NO.			
			QWH35BT_OUT			
SCALE	SIZE	REV	SHEET			
1/1	A4	01	1/1			