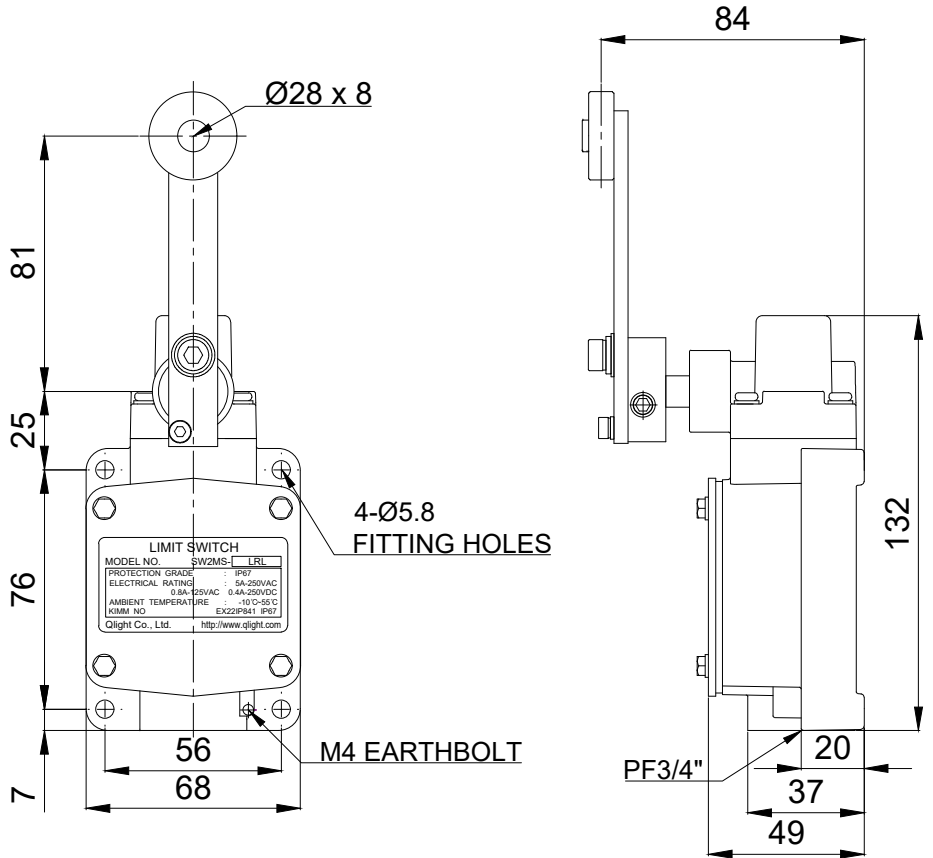


1 2 3 4 5 6

A
B
C
D

MARK	DATE	REVISION	REVISER	APP. BY
①				
②				
③				



MODEL NO	SW2MS-LRL
MATERIAL	HEAD & BODY - SUS316L BOLT, NUT & ETC.-SUS304
CONTACT	2CKT-DB, 1A1B, 250VAC 6A
PROTECTION GRADE	WATER & DUST PROOF-IP67
CABLE ENTRY	PF3/4"
COLOR	MAKER STANDARD
INSULATION RESISTANCE	100MΩ MIN. AT 500V DC

■ Operating Characteristics

OF max.g	1,380
RF min.g	260
PT	25° ± 5°
MD max.	10°
TT min	55°

FOR LINEAR DIMENSIONS	ISO2768-1 : CLASS OF TOLERANCE					SURFACE FINISH
	f	m	Ⓞ	v		
0.5~3	±0.05	±0.1	±0.2	-		
3~6			±0.3	±0.5		
6~30	±0.1	±0.2	±0.5	±1		
30~120	±0.15	±0.3	±0.8	±1.5		
120~400	±0.2	±0.5	±1.2	±2.5		
400~1000	±0.3	±0.8	±2	±4		
FOR ANGULAR DIMENSIONS	0~10	±1°	±1°30'	±3°		
	10~50	±0°30'	±1°	±2°		
	50~120	±0°20'	±0°30'	±1°		
	120~400	±0°10'	±0°13'	±0°30'		

Nr.	DWG. NO.	TITLE/ NAME	MAT'L	QTY	REFERENCE
DSND BY	CHKD BY	CHKD BY	APRV BY	VIEW	DATE
J.I.BAE	Y.H.JOO		J.K.HAN	3	2025.06.29
TITLE			MODEL		
SW2MS-LRL OUTLINE DRWAING			SW2MS-LRL		
DWG. NO.			SCALE		
SW2MS-LRL-OUT			N/S	A4	REV 00 SHEET 1/1



1 2 3 4 5 6

A4(297X210)