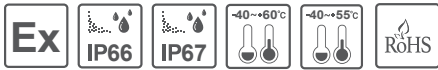
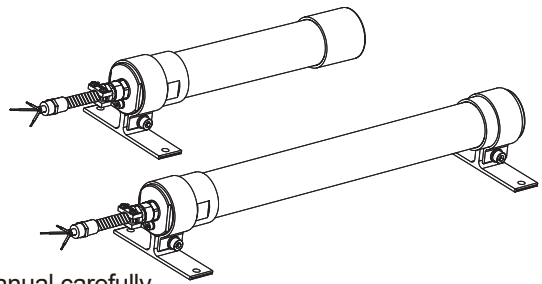


Explosion Proof LED Luminaires

QLEX-SLM series



Thank you for purchasing Qlight's products. Please read this user manual carefully prior to installation and operation to ensure safe and correct use.

! Safety Precautions for Explosion Proof Products

Please follow the instruction below to ensure safe and correct use of explosion proof products.

1. Explosion proof products should be managed according to explosion-proof regulations. Do not disassemble, assemble, alter or repair the product arbitrarily.
2. The temperature rating of the product is the temperature the product will experience at the applied rated voltage and ambient temperature indicated.
3. Use cable glands that satisfy the product's explosion proof grade and temperature grade.
4. Unused cable entries must be filled with material that meets the explosion proof grade and temperature rating.
5. Before installing the product, please make sure all cautions indicated on the labels, packaging, and operation manual of the product are fully understood.
6. Installation, maintenance and repair of the product must be performed by experts in the explosion proof field, or persons who have received relevant training.
7. For safety, the product should be installed and operated in environments that avoid high temperature and high pressure.
8. Please follow general safety precautions and avoid installing the product in locations that may generate excessive heat.
9. When installing the product in places where chemicals are located, please make sure that the environment does not have two or more incompatible chemicals mixed. For safety, please read the instruction manual carefully and be mindful of the chemical compositions where the product is used.
10. Static electricity may be generated by physical contact due to the surface characteristics of this product so please use a wet towel or anti-static cleaner to remove the foreign substances on the product.
11. Please be careful of static electricity during product installation.
Please eliminate static electricity by using static eliminator or handle the product with anti-static globes.
12. Be cautious of generating static electricity when installing the product. To avoid static electricity, use static-protective accessories or Where anti-static gloves when handling the product.
13. Please note that special conditions shall be applied if the sign "X" is placed after the certificate number.
14. For safe use, regular overpressure test must be carried out in accordance with EN 60079-1, clause 15.2.3.
15. For safe use, tempered glass must be protected from strong impact

! Precaution for Safety

Failure to follow the instructions below may cause a loss of life or serious physical injury.

1. During wiring or maintenance, please completely turn off the power of the product. (Failure to follow this may lead to an electric shock.)
2. Do not install the product in locations that subjects it to excessive dust or water other than the conditions designated by the IP protection ratings indicated for each product. (Failure to follow these instructions may cause a fire to the product, electric shock, physical injury, malfunction or damage to the product.)
3. Do not alter or repair this product. If maintenance or repair service is required, please contact your local Qlight contact point. (Failure to follow these instructions may lead to fire, electric shock, or product damage.)
4. Please apply the correct voltage to the product. (Failure to follow these instructions may lead to fire, electric shock, or product damage.)
5. When the product is applied to a condition that may impact lives or property, please make sure to have a double safety device. (Failure to follow this may cause damage to property, fire, electric shock and loss of life.)

! Precautions for Correct Use

Failure to follow the proper instructions may cause damage to property, the product, or malfunction of the product that would void the warranty.

1. Please remove any objects that can interrupt ventilation around the product.
2. Please turn off the power of the product immediately if it fails to operate properly.
3. Carefully wire the product according to each product's specification.
4. Please be careful in preventing chemicals such as thinner, benzene, etc. in contact with the surface of the product.
5. Do not apply excessive force/impact to the product.
6. Failure to follow any of the instructions above may cause malfunction or damage to the product, fire, and electric shock.

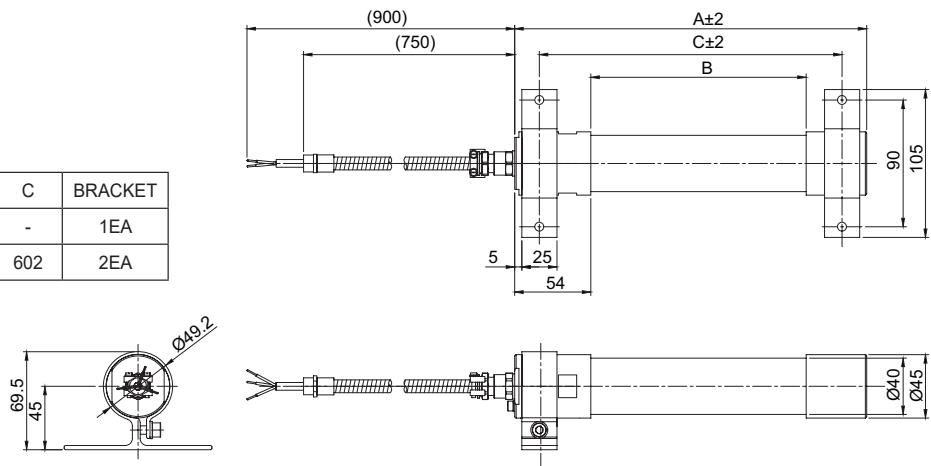


Please scan the QR code for more detailed product information.

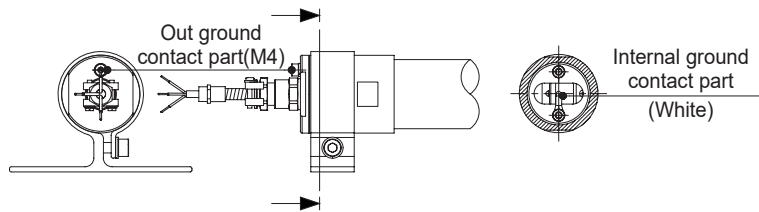
www.qlight.com

QLEX-SLM-250/ QLEX-SLM-650

MODEL	A	B	C	BRACKET
QLEX-SLM-250	250	153	-	1EA
QLEX-SLM-650	637	540	602	2EA

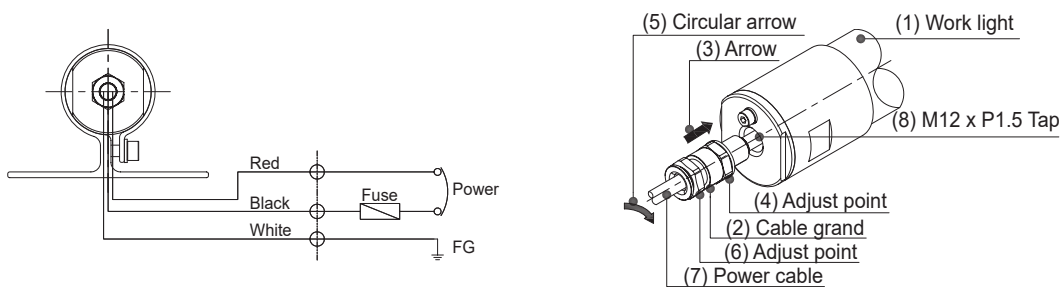


Grounding Instructions



- Outer ground is Please use an M4 bolt at the location marked in the diagram above to ground the product.
- When connecting the grounding cable, please use a ring terminal(Ø4.2mm).
- Please use a grounding cable with a diameter greater than 4mm.
- Internal ground is Just using the White line in Power Cable.

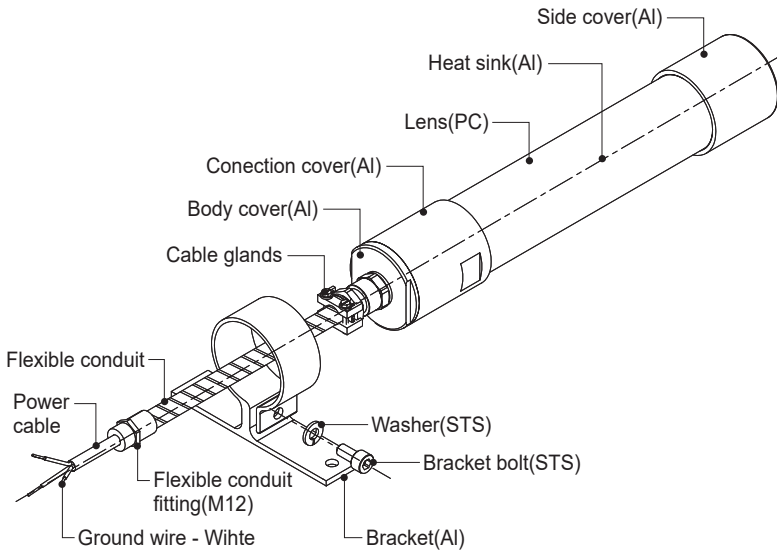
Wiring Instructions



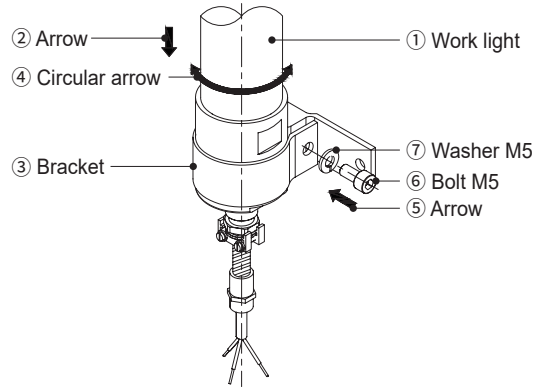
- A Cable gland(2) shall path through power cable(7) in accordance with direction of the arrow(3). The cable gland shall be connected to M12xP1.5 Tap and it shall be fixed at the adjust point(4) with the direction of circular arrow(5) by a tool.
- Please fasten the power cable(7) in accordance with the circular arrow(5) once the adjust point(6) is fixed by the tool.

Parts Definition/ Bracket Adjustment

Parts Definition



Bracket Adjustment



- Please place the product on desired surface area and secure it with brackets (either horizontal or vertical direction is possible).
- Insert the lens tube (1) into the bracket (3) in the direction indicated in the diagram (2). Adjust the lighting direction (4) to the desired position.
- Washer M5 (7) and bolt M5 (6) to the bracket in the direction indicated in the diagram (5).

Explosion proof product label

- All equipment that are used in explosive environment must have a label showing on following details in accordance with International Electrotechnical Commission(IEC) Regulation 60079-0.

ATEX, IECEx explosion proof certification – Warning Label



WARNING

1. DO NOT OPEN, MAINTAIN OR SERVICE IN AREA WHERE AN EXPLOSIVE ATMOSPHERE MAY BE PRESENT.
2. TIGHTEN ALL SCREWS AND CABLE GLANDS PROPERLY.
3. AFTER DE-ENERGIZING, DELAY 5 MINUTES BEFORE OPENING.
4. DO NOT OPEN WHEN ENERGIZED.
5. POTENTIAL ELECTROSTATIC CHARGING HAZARD-SEE INSTRUCTIONS

ATEX, IECEx explosion proof certification – Name Plate



Flame-Proof LED Light	
(1) TYPE. QLEX-SLM-250	
(2) PROTECTION. •Ex db IIC T6 Gb	
GRADE. •II 2 G Ex db IIC T6 Gb	
	•IP66/67
(3) CERT NO.	
(4) TEMP. -40°C ≤ Ta ≤ 60°C	
(5) RATING. VDC24 0.37A 8.6W	
(6) CABLE ENTRY. M12 x P1.5	
(7) SERIAL NO.	
(8) YEAR.	
(9) ADDRESS. 185-25, MUKBANG-RO	
	GIMHAE-SI, KOREA
Qlight Co.,Ltd. http://www.qlight.com	

KCs, Nepsu explosion proof certification – Name Plate



EXPLOSION-PROOF LED WORK LIGHT	
(1) TYPE. QLEX-SLM-250	
(2) PROTECTION. •Ex d IIC T6	
GRADE. •Ex d IIC T6 Gb	
(3) CERT NO.	
(4) TEMP. -40°C ≤ Ta ≤ 60°C	
(5) RATING. VDC24 0.37A 8.6W	
(6) CABLE ENTRY. M12 x P1.5	
(7) SERIAL NO.	
(8) YEAR.	
(9) ADDRESS. 185-25, MUKBANG-RO	
	GIMHAE-SI, KOREA
Qlight Co.,Ltd. http://www.qlight.com	

- (1) Type : QLEX-SLM-250
- (2) Protection Type. (① Ex ②d ③ IIC ④ T6)
- ① : Explosion protection
- ② : Type of protection – Flame proof enclosure “d”
- ③ : Explosion Group
- ④ : Classification of Maximum surface temperature. T6 is 85°C
- (3) Cer't No.
- (4) Temp : Ambient Temperature
- (5) Electricity Specification
- (6) Cable grand Specification
- (7) Serial number
- (8) Producing Date
- (9) Address

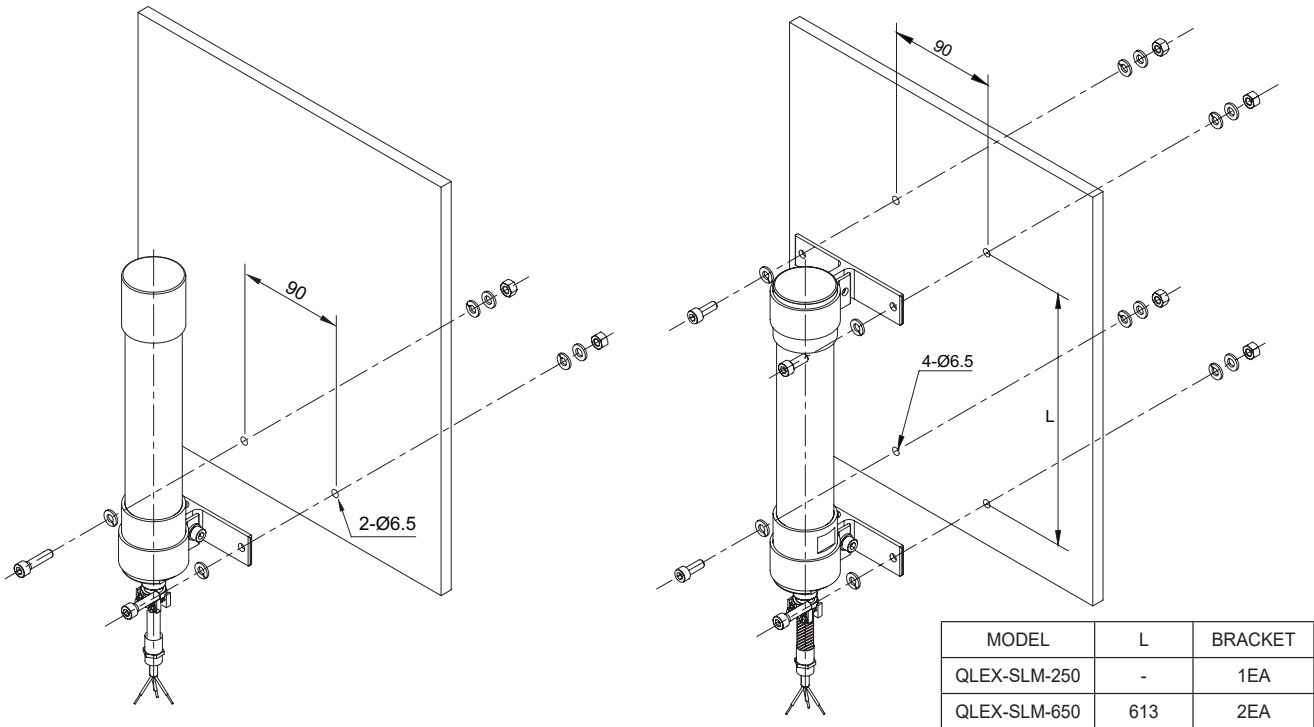
Installation/ Mounting Hole Specifications

Installation

- First, machine taps or holes on the mounting surface.
- The mounting hole of this product is 6.5mm in diameter(hole).
- When machining taps, fasten the bolt through the mounting hole of the product.
- When machining holes, insert the bolt through the hole of the product, and tighten the nut from the opposite side of the mounting surface.

Mounting Hole Specifications

- Machine holes on the mounting surface referring to the diagram below..



Installation Environment and Protection Rating

- This product is designed to be explosion proof.
- Please make sure to use the product in an environment that meets the specified explosion proof rating and regulations.
- For further information, please visit our website (www.qlight.com).

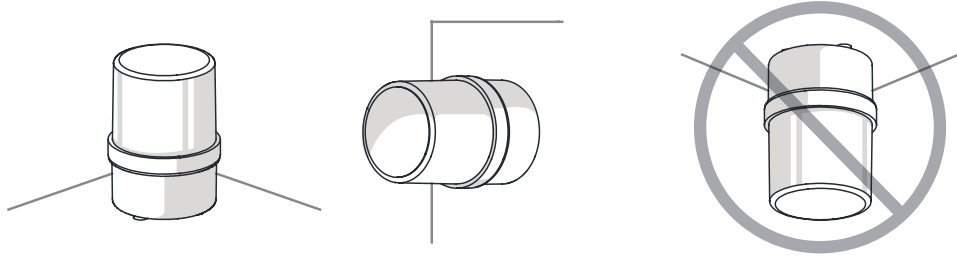
Product installation direction

- Install the product in accordance with the manual. Otherwise rainwater or moisture may penetrate into the product.

· BEACON/SIGNALING LIGHT

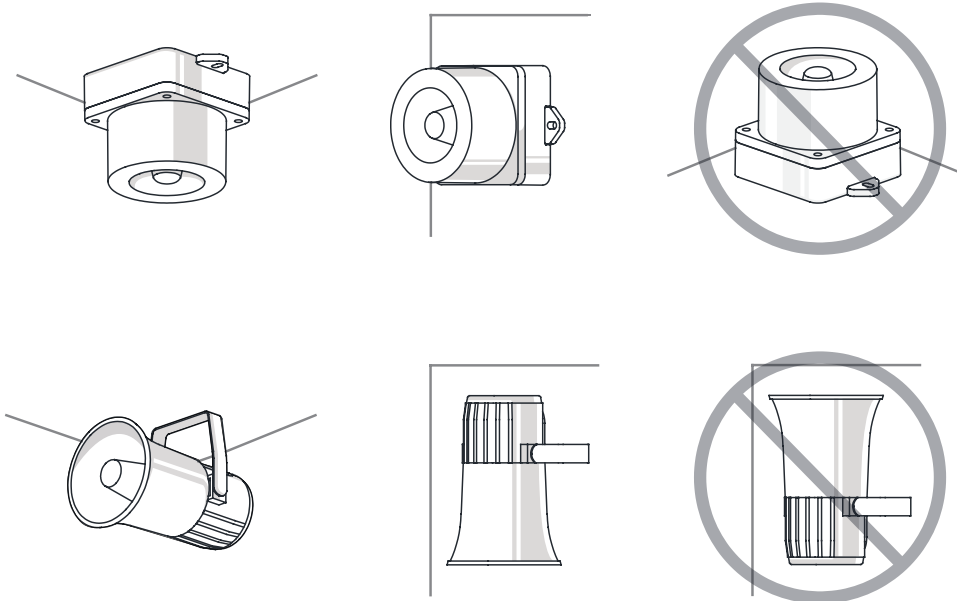
※ For products with a protection rating of less than IPX4, please install it vertically.

Power cord inlet part shall not be facing the sky.



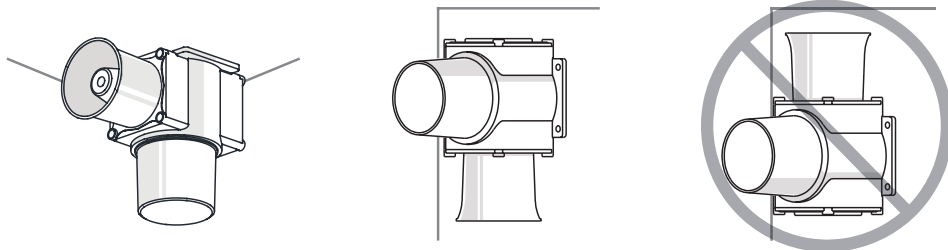
· ELECTRONIC SOUNDER/SIGNAL HORN

Sounder part shall not be facing the sky.



· HEAVY-DUTY & EXPLOSION PROOF SIGNALINGS

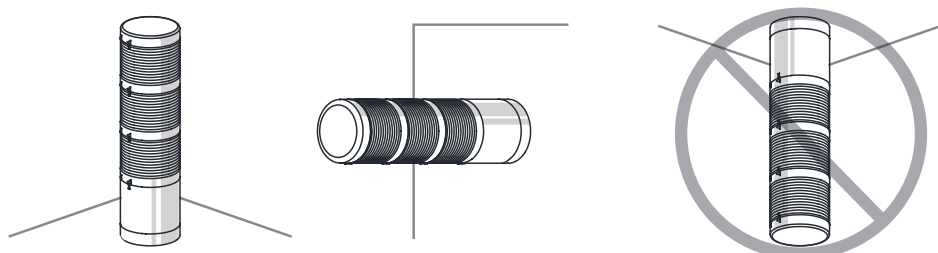
Sounder part shall not be facing the sky.



· SIGNAL TOWER LIGHTS

※ For products with a protection rating of less than IPX4, please install it vertically.

Power cord inlet part shall not be facing the sky.





For your safety

Specification and dimensions listed in this catalogue subject to change without notice for product quality improvement.
The newest product information is available on our website.(www.qlight.com)
Please read the instruction manual attached to the product carefully before installation and use.

Korea Corporation Qlight Co., Ltd. www.qlight.com | trade@qlight.com

Head Office | Suite #1510, STX-V Tower, 128 Gasan Digital 1-ro, Geumcheon-gu, Seoul, 08507, South Korea

Tel: +82-2-2679-6152 Fax: +82-2-2679-6154

Factory(Gimhae Production Headquarters) | 185-25, Mukbang-ro, Sangdong-myeon, Gimhae-si, Gyeongsangnam-do, 50805, South Korea

Tel: +82-55-328-1111

Overseas Sales Department | Qlight Building, 704 Nakdong-daero, Sasang-gu, Busan 47044, South Korea Tel: +82-51-620-4100

Busan Business Center | Qlight Building, 704 Nakdong-daero, Sasang-gu, Busan 47044, South Korea Tel: +82-51-245-0017

China Corporation SHANGHAI Qlight Electronic Co., Ltd. www.qlight.com www.qlightcn.com | qlightcn@qlight.com

Sales Corporation (Shanghai) | Room 333 Building B, No.11, Lane 450, Zhenda Road, Baoshan District, Shanghai, China

Tel: +86-21-6651-7100 Fax: +86-21-6315-3929

Manufacturing Corporation (Qidong) | No.33, Haiyan Road, Qidong High-tech Industrial Development Zone, Qidong, Jiangsu Province, China

Tel: +86-513-8384-9999 Fax: +86-513-8384-9910

Qlightec

Innovation in Alarm & Signal

Product Operation Inquiry / Customer Support +82-51-620-4100

You can expect prompt service if you have exact information such as model name, symptom, telephone number and address.

※ ALL PRODUCT, PRODUCT SPECIFICATIONS AND DATA ARE SUBJECT TO CHANGE WITHOUT NOTICE TO IMPROVE RELIABILITY, FUNCTION OR DESIGN OR OTHERWISE.

Head office : Suite #1510, STX-V Tower, 128 Gasan digital 1-ro, Geumcheon-gu, Seoul, Korea (Postal Code : 08507)

Factory : 185-25, Mukbang-Ro, Sangdong-Myeon, Gimhae-Si, Gyeongsangnam-Do, Korea (Postal Code : 50805)

www.qlight.com

EN - QLEX-SLM-250 - 2602A