


QLEX-SLM Series



QLEX-SLM Series

PRODUCT SPECIFICATION

QLEX-SLM-250
QLEX-SLM-650

Materials Side cover-Al, Lens-PC, Bracket-Al

Ambient operating temperature
 -40°C ≤ Tamb ≤ +60°C(QLEX-SLM-250)
 -40°C ≤ Tamb ≤ +55°C(QLEX-SLM-650: T6)
 -40°C ≤ Tamb ≤ +60°C(QLEX-SLM-650: T5)

Protection rating
 ATEX - $\text{II 2G Ex db IIC T6 Gb}$
 IECEx - Ex db IIC T6 Gb
 KCs - Ex d II C T6(QLEX-SLM-250)
 Ex d II C T5/T6(QLEX-SLM-650)
 NEPSI, CCC - Ex db IIC T6 Gb(QLEX-SLM-250)

Certificates CE, KCs, NEPSI, CCC, S-mark, ATEX, IECEx

Cable entry M12xP1.5

- Explosion proof LED luminaires/work light designed for use in explosive gas environments with Ex d IIC rating
- Enhanced durability with aluminum housing and polycarbonate lens tube
- Slim and compact structure realize aesthetically pleasing design
- Semi-permanent service life with long-lasting LED light source
- Features special structure that allows to adjust light angle by turning the light tube

Specifications

QLEX-SLM-250



QLEX-SLM-650



QLEX-SLM Series Explosion Proof LED Luminaires/Work Light

Optics Specifications				
Model number	QLEX-SLM-250		QLEX-SLM-650	
Lens color	Translucent			
Light color	Cooldaylight			
Color temperature	6,000-7,000K			
Luminous flux	DC	650lm	1,800lm	
	AC	350lm	1,580lm	
Illumination(at 1m)	DC	310Lux	650Lux	
	AC	240Lux	530Lux	

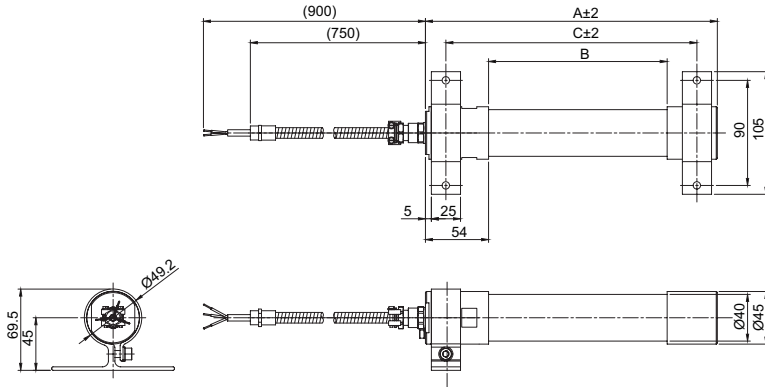
Specifications				
Model number	QLEX-SLM-250		QLEX-SLM-650	
Rated voltage	DC24V	AC220V	DC24V	AC220V
Range for operation voltage	DC21.6V-26.4V	AC198V-242V	DC21.6V-26.4V	AC198V-242V
Power consumption	8.6W	9W	20W	23W
Insulation resistance	Min. 100MΩ(500V DC mega ohm meter)			
Withstanding voltage	DC: 500VAC, 60Hz, 1minute/AC: 1,500VAC, 60Hz, 1minute			
Protection rating	IP66/67			
Materials	Side cover-Al, Lens-PC, Bracket-Al			
Certifications				
Weight(Approx.)	0.50Kg		0.93Kg	



Technical Diagram

Units: mm

QLEX-SLM Series



Model number	A	B	C	Bracket
QLEX-SLM-250	250	153	-	1EA
QLEX-SLM-650	637	540	602	2EA

Ordering Specification

QLEX-SLM	-	250	-	24	-	ATEX
[Model number]		[Product length]		[Voltage]		[Certificates]
QLEX-SLM		250-250mm 650-637mm		24-DC24V 220-AC220V		ATEX IECEX KCs CCC(NEPSI)

Cautions in use

Contact structure of an explosion proof product must be a qualified part we provide. Please do not disassemble, assemble, modify or repair arbitrarily.