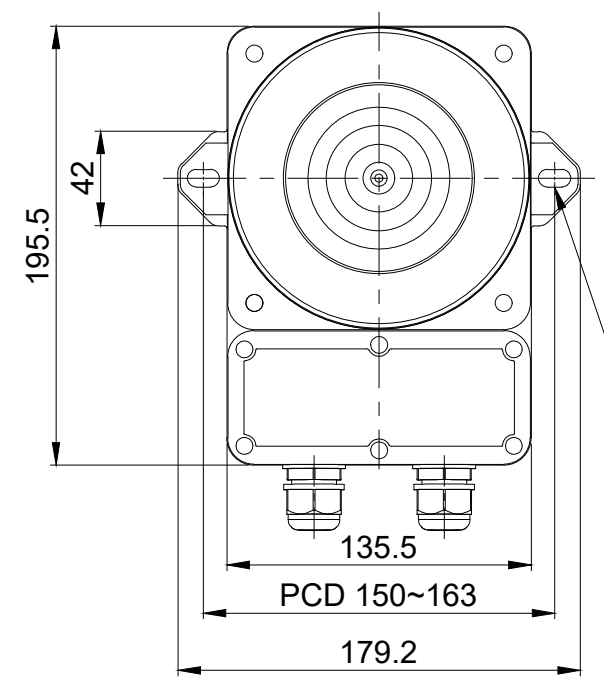
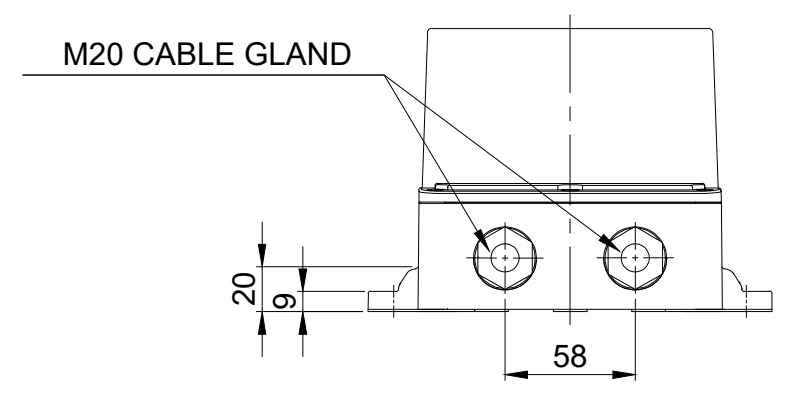
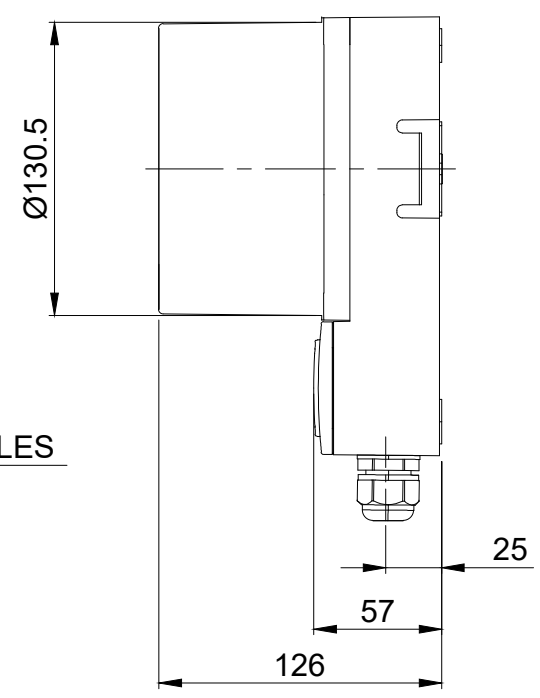


1 2 3 4 5 6

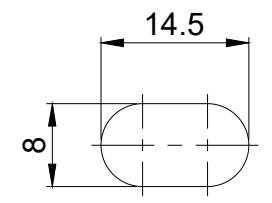
MARK	DATE	REVISION	REVISER	APP .BY
①				
②				
③				



2-φ8 SLOT HOLES



M20 CABLE GLAND



FITTING HOLES

MODEL NO		QWCD35T			
MATERIAL		HORN-PC HOUSING-PC+ABS -			
COLOR OF LENS		RED(), AMBER(), GREEN(), BLUE()			
USE VOLT.	CURRENT	STANDARD	DC12V ~ 24V	0.2W	MAX. 1.300A
			AC110V ~ 220V		MAX. 0.350A
		SD CARD TYPE	DC12V ~ 24V		MAX. 1.200A
			AC110V ~ 220V		MAX. 0.310A
CHANNEL		BIT INPUT		5CH(ONLY SD-CARD)	
		BINARY INPUT		31CH	
KIND OF SOUND	VOLUME	WARNING SOUNDS 31Ch		MAX. 115dB at 1m	
		MP3 SOUNDS		MAX. 113dB at 1m	
PROTECTION GRADE		WATER & DUST PROOF - IP66			
CABLE ENTRY		M20 CABLE GLAND			
COLOR OF HOUSING		MAKER STANDARD			
ACTION		LED LAMP STROBE LIGHT			

ISO2768-1 : CLASS OF TOLERANCE					
FOR LINEAR DIMENSIONS		f	m	Ⓢ	v
		0.5~3	±0.05	±0.1	±0.2
	3~6			±0.3	±0.5
	6~30	±0.1	±0.2	±0.5	±1
	30~120	±0.15	±0.3	±0.8	±1.5
	120~400	±0.2	±0.5	±1.2	±2.5
	400~1000	±0.3	±0.8	±2	±4
FOR ANGULAR DIMENSIONS					
		0~10	±1°	±1°30'	±3°
		10~50	±0°30'	±1°	±2°
		50~120	±0°20'	±0°30'	±1°
	120~400	±0°10'	±0°13'	±0°30'	

Nr.	DWG. NO.	TITLE/ NAME		MAT'L	QT'Y	REFERENCE
DSND BY	CHKD BY	CHKD BY	APRV BY	VIEW	DATE	
C.S.GWAK	J.H.PARK		J.K.HAN	3	2021.10.08	
TITLE			MODEL			
QWCD35T OUTLINE DRAWING			QWCD35T			
DWG. NO.			SCALE		SHEET	
QWCD35T_OUT			1/1		1/1	
SIZE		REV				
A4		01				



1 2 3 4 5 6 A4(297X210)