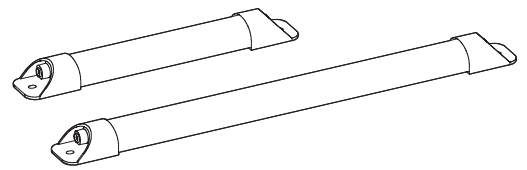
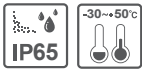


General Waterproof LED Light Bars

QPL/ QPHL



Thank you for purchasing Qlight's products. Please read this user manual carefully prior to installation and operation to ensure safe and correct use.

⚠ Precautions for Safety

Failure to follow the instructions below may cause a loss of life or serious physical injury.

1. During wiring or maintenance, please completely turn off the power of the product. (Failure to follow this may lead to an electric shock.)
2. Do not install the product in locations that subjects it to excessive dust or water other than the conditions designated by the IP protection ratings indicated for each product. (Failure to follow these instructions may cause a fire to the product, electric shock, physical injury, malfunction or damage to the product.)
3. Do not alter or repair this product. If maintenance or repair service is required, please contact your local Qlight contact point. (Failure to follow these instructions may lead to fire, electric shock, or product damage.)
4. Please apply the correct voltage to the product. (Failure to follow these instructions may lead to fire, electric shock, or product damage.)
5. When the product is applied to a condition that may impact lives or property, please make sure to have a double safety device. (Failure to follow this may cause damage to property, fire, electric shock and loss of life.)

⚠ Precautions for Correct Use

Failure to follow the proper instructions may cause damage to property, the product, or malfunction of the product that would void the warranty.

1. Please remove any objects that can interrupt ventilation around the product.
2. Please turn off the power of the product immediately if it fails to operate properly.
3. Carefully wire the product according to each product's specification.
4. Please be careful in preventing chemicals such as thinner, benzene, etc. in contact with the surface of the product.
5. Do not apply excessive force/impact to the product.
6. Failure to follow any of the instructions above may cause malfunction or damage to the product, fire, and electric shock.

Ordering Specifications

QPL	200	24
[Model number]	[Product length]	[Voltage]
<ul style="list-style-type: none">• QPL - Translucent lens• QPLC - Transparent lens• QPHL - High brightness translucent lens• QPHLC - High brightness transparent lens	<ul style="list-style-type: none">• 200 - 200mm• 300 - 300mm• 400 - 400mm• 500 - 500mm	<ul style="list-style-type: none">• 24 - DC24V• 110 - AC110V• 220 - AC220V



Please scan the QR code for more detailed product information.

www.qlight.com

Product Specifications

■ QPL / QPLC - Optics Specifications

Model number		QPL-200	QPLC-200	QPL-300	QPLC-300	QPL-400	QPLC-400	QPL-500	QPLC-500
Lens color		Translucent	Transparent	Translucent	Transparent	Translucent	Transparent	Translucent	Transparent
Light color (Standard)		Cool daylight							
Color temperature (Standard)		6,000-7,000K							
Luminous flux	DC	150lm	180lm	240lm	250lm	350lm	440lm	480lm	600lm
	AC	-	-	380lm	440lm	550lm	650lm	840lm	900lm
Illumination (at 1m)	DC	50Lux	65Lux	80Lux	100Lux	120Lux	150Lux	150Lux	200Lux
	AC	-	-	130Lux	150Lux	200Lux	240Lux	300Lux	350Lux

■ QPL / QPLC - General Product Specifications

Model number		QPL-200 / QPLC-200		QPL-300 / QPLC-300		QPL-400 / QPLC-400		QPL-500 / QPLC-500	
Rated voltage		DC24V		DC24V		DC24V		DC24V	
		AC110V/220V		AC110V/220V		AC110V/220V		AC110V/220V	
Range for operation voltage		DC21.5V-26.5V, AC98V-121V, AC198V-245V							
Power consumption	DC24V	3.7W		3.7W		5.5W		7.3W	
	AC110V	-		4.5W		7.5W		10W	
	AC220V	-		6.5W		9.5W		13W	
Insulation resistance		Min. 100MΩ(500V DC mega ohm meter)							
Withstanding voltage		DC: 500VAC, 60Hz, 1 minute/AC: 1,500VAC, 60Hz, 1 minute							
Operating temperature		-30°C to +50°C							
Protection rating		IP65							
Materials		Lens-PC, Side cover-ABS, Heatsink-Al							
Certificate		CE UL							
Weight(approx.)		0.13kg		0.18kg		0.23kg		0.29kg	

※ CE compliant: DC24V, AC220V, UL Listed: DC24V

■ QPHL / QPHLC - Optics Specifications

Model number		QPHL-200	QPHLC-200	QPHL-300	QPHLC-300	QPHL-400	QPHLC-400	QPHL-500	QPHLC-500
Lens color		Translucent	Transparent	Translucent	Transparent	Translucent	Transparent	Translucent	Transparent
Light color (Standard)		주광색							
Color temperature (Standard)		6,000-7,000K							
Luminous flux	DC	320lm	340lm	450lm	480lm	650lm	640lm	900lm	1,000lm
	AC	-	-	440lm	440lm	650lm	640lm	900lm	900lm
Illumination (at 1m)	DC	200Lux	800Lux	300Lux	1,000Lux	400Lux	1,500Lux	550Lux	2,000Lux
	AC	-	-	250Lux	1,000Lux	400Lux	1,500Lux	550Lux	2,300Lux

■ QPHL / QPHLC - General Product Specifications

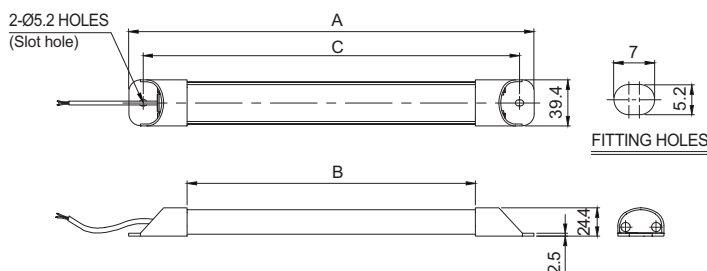
Model number		QPHL-200 / QPHLC-200		QPHL-300 / QPHLC-300		QPHL-400 / QPHLC-400		QPHL-500 / QPHLC-500	
Rated voltage		DC24V		DC24V		DC24V		DC24V	
		AC110V/220V		AC110V/220V		AC110V/220V		AC110V/220V	
Range for operation voltage		DC21.5V-26.5V, AC98V-121V, AC198V-245V							
Power consumption	DC24V	4.8W		5.5W		8W		10W	
	AC110V	-		5W		8W		12W	
	AC220V	-		8W		11W		15W	
Insulation resistance		Min. 100MΩ(500V DC mega ohm meter)							
Withstanding voltage		DC: 500VAC, 60Hz, 1 minute/AC: 1,500VAC, 60Hz, 1 minute							
Operating temperature		-30°C to +50°C							
Protection rating		IP65							
Materials		Lens-PC, Side cover-ABS, Heatsink-Al							
Certificate		-		CE UL					
Weight(approx.)		0.13kg		0.18kg		0.25kg		0.30kg	

※ CE compliant: DC24V, AC220V, UL Listed: DC24V(Except QPHL(C)-200)

Dimensions

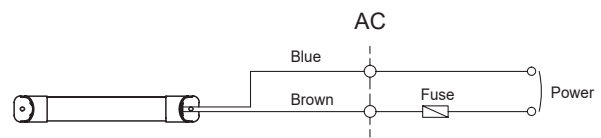
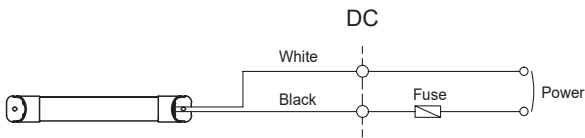
(Units : mm)

QPL/ QPHL-200/ 300/ 400/ 500
QPLC/ QPHLC-200/ 300/ 400/ 500



MODEL	A	B	C
QPL/ QPHL/ QPLC/ QPHLC-200	200	100	175
QPL/ QPHL/ QPLC/ QPHLC-300	300	200	275
QPL/ QPHL/ QPLC/ QPHLC-400	400	300	375
QPL/ QPHL/ QPLC/ QPHLC-500	500	400	475

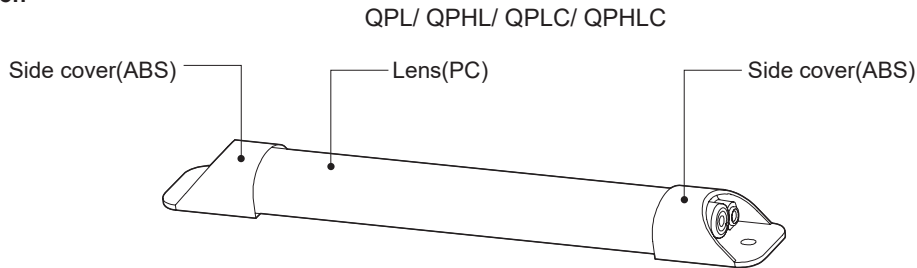
Wiring Instructions



- DC steady type cable specification : External power line - UL2464 AWG22(0.3sq) x 2C 450mm
- AC steady type cable specification : External power line - VCTFK(0.75sq) x 2C 450mm
- DC type product can be wired regardless of polarity.

Parts Definition/ Installation

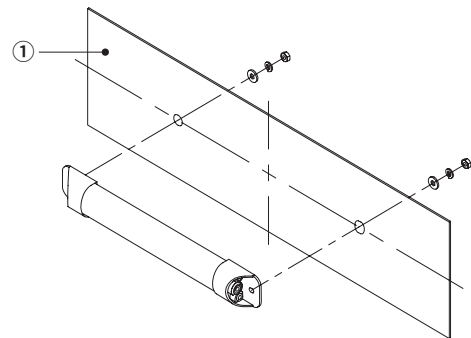
■ Parts Definition



Installation/ Mounting Hole Specifications

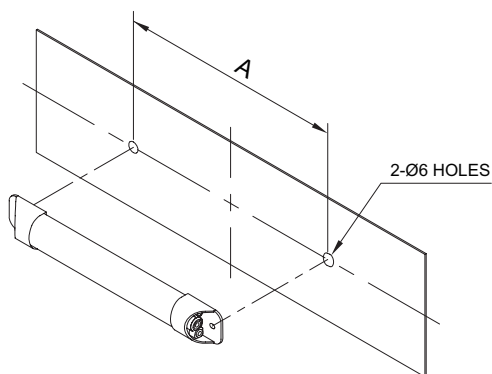
■ Installation

- First, machine taps or holes on the mounting surface ①.
- The mounting hole of this product is 5.2mm in diameter(long hole).
- When machining taps, fasten the bolt through the mounting hole of the product.
- When machining holes, insert the bolt through the hole of the product, and tighten the nut from the opposite side of the mounting surface.
(When assembling using bolt and nut, please make sure to use flat washer and spring washer.)



■ Mounting Hole Specifications

- Machine holes on the mounting surface referring to the diagram below.



QPL/ QPHL/ QPLC/ QPHLC-200/ 300/ 400/ 500

MODEL	A
QPL/ QPHL/ QPLC/ QPHLC-200	175
QPL/ QPHL/ QPLC/ QPHLC-300	275
QPL/ QPHL/ QPLC/ QPHLC-400	375
QPL/ QPHL/ QPLC/ QPHLC-500	475

Installation Environment and Protection Rating

- This product is designed for use with protection rating of IP65.
- If the product is installed in locations that subject it to excessive dust or water other than the designated IP protection rating indicated(IP65), it may cause malfunction or damage to the product.
- For further information, please visit our website(www.qlight.com).



For your safety

Specification and dimensions listed in this catalogue subject to change without notice for product quality improvement.
The newest product information is available on our website.(www.qlight.com)
Please read the instruction manual attached to the product carefully before installation and use.

Korea Corporation Qlight Co., Ltd. www.qlight.com | trade@qlight.com

Head Office | Suite #1510, STX-V Tower, 128 Gasan Digital 1-ro, Geumcheon-gu, Seoul, 08507, South Korea

Tel: +82-2-2679-6152 Fax: +82-2-2679-6154

Factory(Gimhae Production Headquarters) | 185-25, Mukbang-ro, Sangdong-myeon, Gimhae-si, Gyeongsangnam-do, 50805, South Korea

Tel: +82-55-328-1111

Overseas Sales Department | Qlight Building, 704 Nakdong-daero, Sasang-gu, Busan 47044, South Korea Tel: +82-51-620-4100

Busan Business Center | Qlight Building, 704 Nakdong-daero, Sasang-gu, Busan 47044, South Korea Tel: +82-51-245-0017

China Corporation SHANGHAI Qlight Electronic Co., Ltd. www.qlight.com www.qlightcn.com | qlightcn@qlight.com

Sales Corporation (Shanghai) | Room 333 Building B, No.11, Lane 450, Zhenda Road, Baoshan District, Shanghai, China

Tel: +86-21-6651-7100 Fax: +86-21-6315-3929

Manufacturing Corporation (Qidong) | No.33, Haiyan Road, Qidong High-tech Industrial Development Zone, Qidong, Jiangsu Province, China

Tel: +86-513-8384-9999 Fax: +86-513-8384-9910

Qlightec

Innovation in Alarm & Signal

Product Operation Inquiry / Customer Support +82-51-620-4100

You can expect prompt service if you have exact information such as model name, symptom, telephone number and address.

※ ALL PRODUCT, PRODUCT SPECIFICATIONS AND DATA ARE SUBJECT TO CHANGE WITHOUT NOTICE TO IMPROVE RELIABILITY, FUNCTION OR DESIGN OR OTHERWISE.

Head office : Suite #1510, STX-V Tower, 128 Gasan digital 1-ro, Geumcheon-gu, Seoul, Korea (Postal Code : 08507)

Factory : 185-25, Mukbang-Ro, Sangdong-Myeon, Gimhae-Si, Gyeongsangnam-Do, Korea (Postal Code : 50805)

www.qlight.com

EN - QPL-200 - 2512A