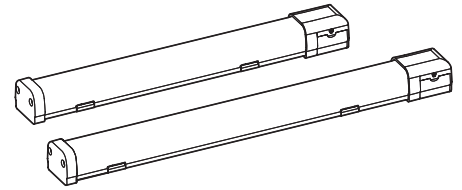


LED Light Bars for Distribution Panel

QELT-UL



Thank you for purchasing Qlight's products. Please read this user manual carefully prior to installation and operation to ensure safe and correct use.

⚠ Precautions for Safety

Failure to follow the instructions below may cause a loss of life or serious physical injury.

1. During wiring or maintenance, please completely turn off the power of the product. (Failure to follow this may lead to an electric shock.)
2. Do not install the product in locations that subjects it to excessive dust or water other than the conditions designated by the IP protection ratings indicated for each product. (Failure to follow these instructions may cause a fire to the product, electric shock, physical injury, malfunction or damage to the product.)
3. Do not alter or repair this product. If maintenance or repair service is required, please contact your local Qlight contact point. (Failure to follow these instructions may lead to fire, electric shock, or product damage.)
4. Please apply the correct voltage to the product. (Failure to follow these instructions may lead to fire, electric shock, or product damage.)
5. When the product is applied to a condition that may impact lives or property, please make sure to have a double safety device. (Failure to follow this may cause damage to property, fire, electric shock and loss of life.)

⚠ Precautions for Correct Use

Failure to follow the proper instructions may cause damage to property, the product, or malfunction of the product that would void the warranty.

1. Please remove any objects that can interrupt ventilation around the product.
2. Please turn off the power of the product immediately if it fails to operate properly.
3. Carefully wire the product according to each product's specification.
4. Please be careful in preventing chemicals such as thinner, benzene, etc. in contact with the surface of the product.
5. Do not apply excessive force/impact to the product.
6. Failure to follow any of the instructions above may cause malfunction or damage to the product, fire, and electric shock.

Ordering Specifications

QELT	-	200	-	110/120	-	UL
[Model number]		[Product length]		[Voltage]		[Certificates]
• QELT - Terminal box equipped		• 200 - 200mm • 300 - 300mm • 400 - 400mm • 500 - 500mm		• 110/120 - AC110V-120V • 220/230 - AC220V-230V		• UL - UL(RU)



Please scan the QR code for more detailed product information.


www.qlight.com

Product Specifications

Optics Specifications

Model number		QELT-200-UL	QELT-300-UL	QELT-400-UL	QELT-500-UL
Directions		Translucent	Translucent	Translucent	Translucent
Light color (Standard)		Cool daylight			
Color temperature		6,000-7,000K			
Luminous flux		370lm	780lm	1,180lm	1,310lm
Illumination (at 1m)	AC110V-120V	95Lux	200Lux	300Lux	335Lux
	AC220V-230V	170lux	280lux	380lux	400lux

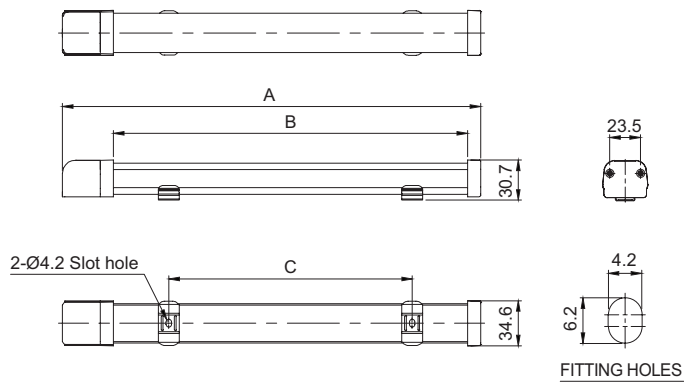
General Product Specifications

Model number		QELT-200-UL	QELT-300-UL	QELT-400-UL	QELT-500-UL
Rated voltage		AC110V-120V / AC220V-230V			
Range for operating voltage		AC98V-132V / AC198V-253V			
Power consumption	AC110V-120V	5W	9W	13W	15W
	AC220V-230V	5W	10W	14W	16W
Insulation resistance		Min. 100MΩ(500V DC mega ohm meter)			
Withstanding voltage		1,500VAC, 60Hz, 1 minute			
Operating temperature		-30°C to +50°C			
Protection rating		Non waterproof			
Materials		Lens-PC, Side cover-ABS, Bracket-STS201			
Certificate					
Weight(approx.)		0.10kg	0.12kg	0.15kg	0.17kg

Dimensions

(Units : mm)

QELT-UL

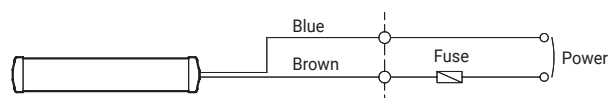


MODEL	A	B	C
QELT-200-UL	249	200	16-170
QELT-300-UL	349	300	16-270
QELT-400-UL	449	400	16-370
QELT-500-UL	549	500	16-470

Wiring Instructions

QELT-UL

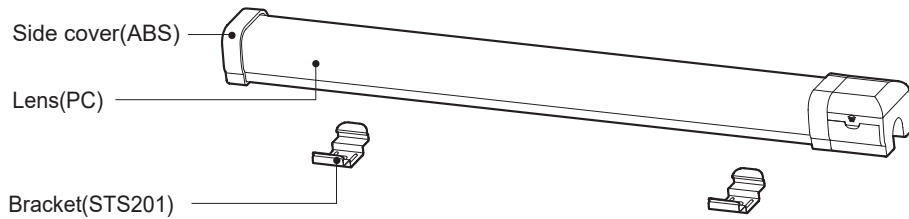
AC



- AC type cable specification : External power line - VCTFK(0.75sq) x 2C 450mm
- This product can be wired regardless of polarity.
- This product does not provide a power cord.

Parts definition/ Bracket Adjustment/ Terminal Wiring/ Switch

■ Parts Definition

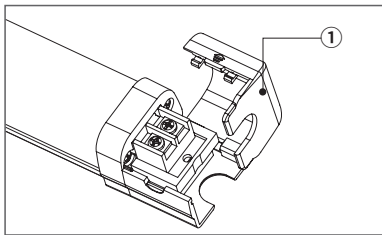


■ Bracket Adjustment

- Mounting brackets are removable with special sliding structure that allows easy adjustment of distance between the two mounting brackets.

■ Terminal Wiring

- Please wire the power cord to the terminal block as shown below.

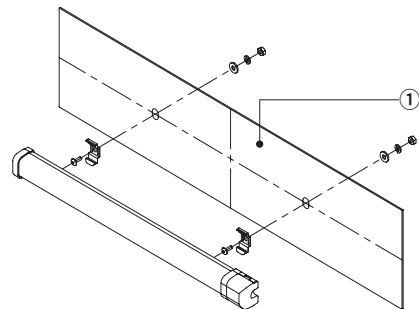


- 1) Lift open the terminal box cover ①
- 2) Loosen the bolts in the terminal box by rotating them in the CCW direction.
Connect the power lines to the terminals and then fasten the lines by rotating the bolts in the CW direction (Product can be wired regardless of polarity).
- 3) After the power lines have been connected, please close the terminal box cover ①.

Installation/ Mounting Hole Specifications

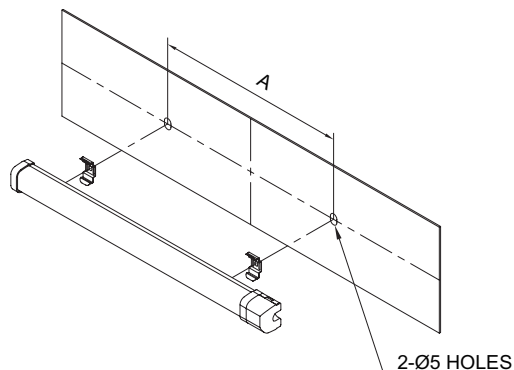
■ Installation

- First, machine taps or holes on the mounting surface ①.
- The mounting hole of this product is 4.2mm in diameter (long hole).
- When machining taps, fasten the bolt through the mounting hole of the product.
- When machining holes, insert the bolt through the hole of the product, and tighten the nut from the opposite side of the mounting surface.
(Install flat washer and spring washer when fastening bolt and nut.)
- To secure the product to brackets, place the products to brackets and push it lightly until it makes "clark" sound.



■ Mounting Hole Specifications

- Machine holes on the mounting surface referring to the diagram below.



MODEL	A
QELT-200-UL	16~170
QELT-300-UL	16~270
QELT-400-UL	16~370
QELT-500-UL	16~470

Installation Environment and Protection Rating

- This product is not waterproof.
- This product is designed for only indoor use.
- If the product is installed in locations that subject it to excessive dust or water other than the designated IP protection rating indicated, it may cause malfunction or damage to the product.
- For further information, please visit our website(www.qlight.com).



For your safety

Specification and dimensions listed in this catalogue subject to change without notice for product quality improvement.
The newest product information is available on our website.(www.qlight.com)
Please read the instruction manual attached to the product carefully before installation and use.

Korea Corporation Qlight Co., Ltd. www.qlight.com | trade@qlight.com

Head Office | Suite #1510, STX-V Tower, 128 Gasan Digital 1-ro, Geumcheon-gu, Seoul, 08507, South Korea

Tel: +82-2-2679-6152 Fax: +82-2-2679-6154

Factory(Gimhae Production Headquarters) | 185-25, Mukbang-ro, Sangdong-myeon, Gimhae-si, Gyeongsangnam-do, 50805, South Korea

Tel: +82-55-328-1111

Overseas Sales Department | Qlight Building, 704 Nakdong-daero, Sasang-gu, Busan 47044, South Korea Tel: +82-51-620-4100

Busan Business Center | Qlight Building, 704 Nakdong-daero, Sasang-gu, Busan 47044, South Korea Tel: +82-51-245-0017

China Corporation SHANGHAI Qlight Electronic Co., Ltd. www.qlight.com www.qlightcn.com | qlightcn@qlight.com

Sales Corporation (Shanghai) | Room 333 Building B, No.11, Lane 450, Zhenda Road, Baoshan District, Shanghai, China

Tel: +86-21-6651-7100 Fax: +86-21-6315-3929

Manufacturing Corporation (Qidong) | No.33, Haiyan Road, Qidong High-tech Industrial Development Zone, Qidong, Jiangsu Province, China

Tel: +86-513-8384-9999 Fax: +86-513-8384-9910

Qlightec

Innovation in Alarm & Signal

Product Operation Inquiry / Customer Support +82-51-620-4100

You can expect prompt service if you have exact information such as model name, symptom, telephone number and address.

※ ALL PRODUCT, PRODUCT SPECIFICATIONS AND DATA ARE SUBJECT TO CHANGE WITHOUT NOTICE TO IMPROVE RELIABILITY, FUNCTION OR DESIGN OR OTHERWISE.

Head office : Suite #1510, STX-V Tower, 128 Gasan digital 1-ro, Geumcheon-gu, Seoul, Korea (Postal Code : 08507)

Factory : 185-25, Mukbang-Ro, Sangdong-Myeon, Gimhae-Si, Gyeongsangnam-Do, Korea (Postal Code : 50805)

www.qlight.com

EN - QELT-UL - 2603A