

# QNEB / QNEB-P

Flame proof and intrinsic safety LED signal beacon & siren buzzer with convenient selection of steady/flashing, strobe, and simulated revolving light functions



QNEB



QNEB-P

## PRODUCT SPECIFICATION

QNEB | QNEB-P

**Materials** Lens-Tempered glass, Filter-PC, Bracket-STS316L, Protection cage-STS316L, Housing-Al

**Ambient operating temperature**

-40°C ≤ Tamb ≤ +60°C(T5)

-40°C ≤ Tamb ≤ +50°C(T6)

**Explosion protection rating**

Ex db ib IIC T5/T6 Gb, IP66

**Certificates** NEPSI, CCC

**Housing standard color** Red, MUNSELL No. 7.5BG 7/2

**Cable entry** 1/2" NPT

**Flashing rate(LF type)** 60-80 flashes/min.

**Strobe rate(LS type)** 70-80 flashes/min.

**Simulated revolving rate(LR type)** 120-140RPM

- Compact flame proof and intrinsic safety LED beacon and siren buzzer combination
- Model with complex functions of LED steady, flashing, strobe, and simulated revolving
- Features excellent shock and vibration resistance, maintenance significantly reduced with long-lasting LED light source
- Features superior durability with aluminum housing
- Fully enclosed structure with protection rating of IP66

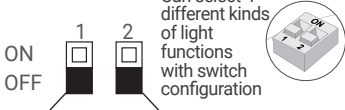


### QNEB / QNEB-P Flame Proof and Intrinsic Safety LED Beacon & Siren Buzzer

Model number	Voltage	Current	Sound pattern and volume	Certificates	Weight	Color
QNEB	DC12V -24V	Max. 380mA	· Warning sounds(Buzzer) : Max.100dB		2.30kg	● R-Red ● A-Amber ● G-Green ● B-Blue
	AC110V -230V	Max. 190mA			2.42kg	
QNEB-P	DC12V -24V	Max. 380mA			2.43kg	
	AC110V -230V	Max. 190mA			2.55kg	

### Instruction for Light Function Switch

ON=1/OFF=0

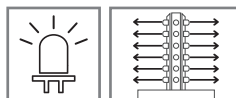


Can select 4 different kinds of light functions with switch configuration

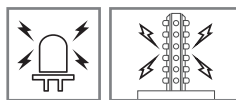


No.	1	2	Operation
0	0	0	LED Steady
1	0	1	LED Flashing
2	1	0	LED Strobe
3	1	1	LED Simulated revolving flashing

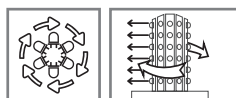
### Operation



• **LED Steady/Flashing**  
Repeat operation of LED light on/off



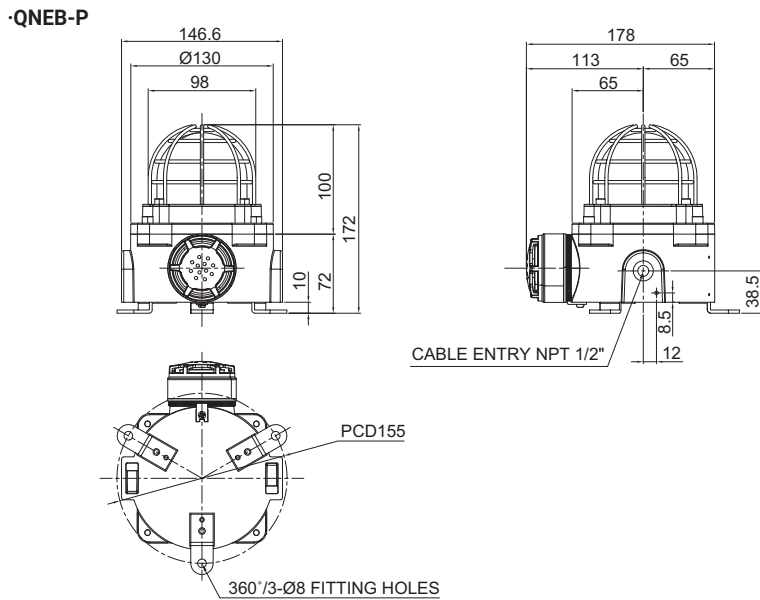
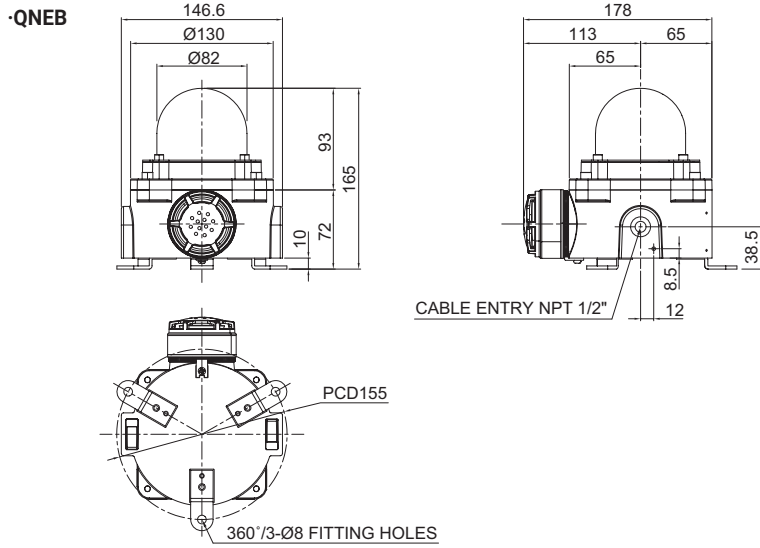
• **LED Strobe**  
Short LED steady/flashing. Creates a xenon flashing effect by providing maximum electric current



• **LED Simulated Revolving Flashing**  
LED flashes steadily around the cylindrical LED filaments which makes a simulated revolving effect

## Technical Diagram

Units: mm



## Customization

- Explosion proof cable gland attached type available (Standard type does not come with explosion proof cable gland)
- 2 ways cable entries
- M20x1.5 cable entry

## Ordering Specification

QNEB	-	12/24	-	R	-	CCC(NEPSI)
[Model number]		[Voltage]		[Color]		[Certificates]
QNEB QNEB-P		12/24-DC12V-24V 110/230-AC110V-230V		● R-Red ● A-Amber ● G-Green ● B-Blue		CCC(NEPSI)