

1 2 3 4 5 6

A

A

B

B

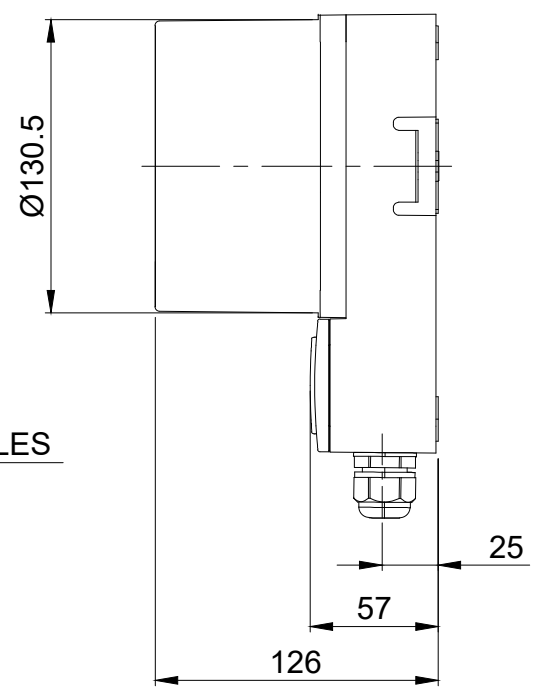
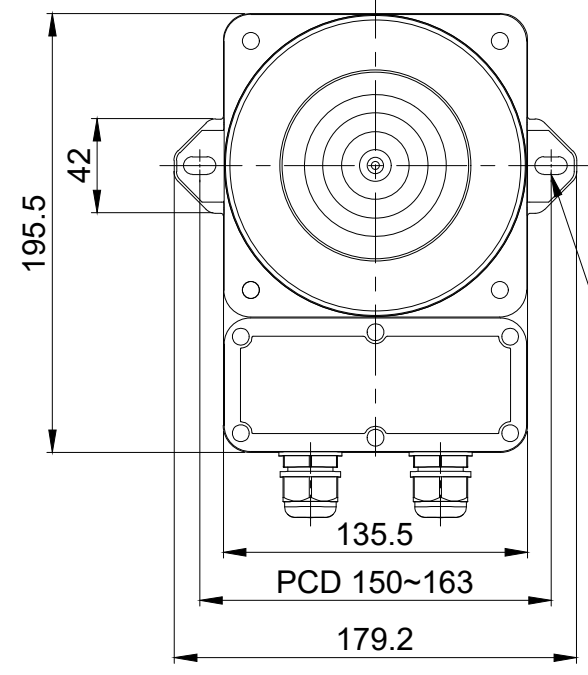
C

C

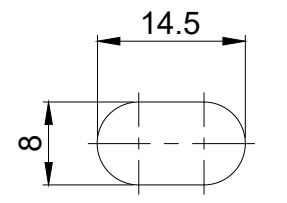
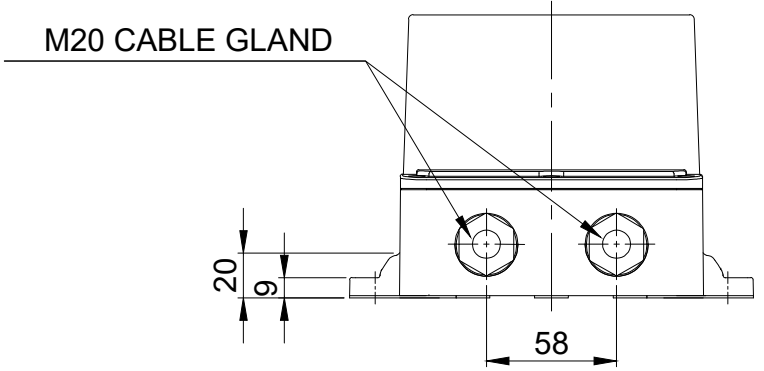
D

D

MARK	DATE	REVISION	REVISER	APP .BY
①				
②				
③				



2-Ø8 SLOT HOLES



FITTING HOLES

MODEL NO	QWH35-TI		
MATERIAL	HORN-PC		
	HOUSING-PC+ABS		
USE VOLT.	CURRENT	DC12V ~ 24V	MAX. 0.970A
		AC110V ~ 220V	MAX. 0.320A
CHANNEL	BINARY INPUT	31CH	
KIND OF SOUND	VOLUME	WARNING SOUNDS 31Ch	MAX. 115dB at 1m
PROTECTION GRADE	WATER & DUST PROOF - IP66		
CABLE ENTRY	M20 CABLE GLAND x 2		
COLOR OF HOUSING	MAKER STANDARD		

ISO2768-1 : CLASS OF TOLERANCE					
FOR LINEAR DIMENSIONS		f	m	Ⓢ	v
		0.5~3	±0.05	±0.1	±0.2
	3~6	±0.3			±0.5
	6~30	±0.1	±0.2	±0.5	±1
	30~120	±0.15	±0.3	±0.8	±1.5
	120~400	±0.2	±0.5	±1.2	±2.5
	400~1000	±0.3	±0.8	±2	±4
FOR ANGULAR DIMENSIONS					
		0~10	±1°	±1°30'	±3°
		10~50	±0°30'	±1°	±2°
		50~120	±0°20'	±0°30'	±1°
	120~400	±0°10'	±0°13'	±0°30'	

Nr.	DWG. NO.	TITLE/ NAME	MAT'L	QT'Y	REFERENCE
DSND BY	CHKD BY	CHKD BY	APRV BY	VIEW	DATE
C.S.GWAK	J.H.PARK		J.K.HAN	3	2021.10.08
TITLE			MODEL		
QWH35-TI OUTLINE DRAWING			QWH35-TI		
DWG. NO.			SCALE		
QWH35-TI_OUT			1/1	SIZE	REV
			A4	00	SHEET
					1/1



1 2 3 4 5 6 A4(297X210)