

QWH-TI Series

Wall mount electronic sounder that offers 31 pre-recorded warning sounds



• Binary input offers 31 sound

PRODUCT SPECIFICATION

QWH35-TI | QWH50-TI

Materials Horn-PC+ABS, Housing-PC+ABS

Ambient operating temperature

-30°C to +50°C (Standard type)

-50°C to +50°C (Low temperature type only DC)

Cable entry M20

Protection rating IP66

Compliant with RoHS directive

- Signal fit for the specific environment and condition.
- Telephone Initiated alarm horn sounder triggers built-in alarm sound that is activated by 25Hz telephone ring signal
- Highly noticeable telephone alarm in noisy environment
- Telephone line(2 LINE) is connected to PSTN telephone line
- Easy device customization with built in sound selection function, volume adjustment function and an SD Card slot for user inputted tones.
- 31 available tones that can be selected for a variety of environments
- 31 pre-recorded tones available via binary input
- Suitable for use in environments that require a tight seal and superior dust protection rated IP66
- Easy wiring though external terminal box
- Rated power when telephone lines are not in use: 45VDC - 55VDC
- Rated power when telephone rings : AC25V-AC120V, Frequency 15-55Hz

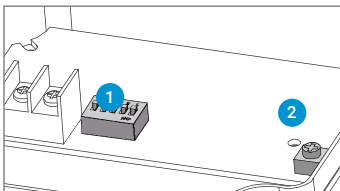
Sound Selection and Volume Adjustment Instructions

QWH Series has control switches inside the unit for sound selection and volume adjustment.

QWH-TI Series Product Category

QWH35-TI	Standard pre-recorded sound type
QWH50-TI	Standard pre-recorded sound type, high volume output

Built-in sound type



- 1 Sound channel selection switch
- 2 Volume dial

The input method of built-in sound type

	1	2	3	4	5
ON	<input type="checkbox"/>	<input type="checkbox"/>	<input type="checkbox"/>	<input type="checkbox"/>	<input type="checkbox"/>
OFF	<input type="checkbox"/>	<input type="checkbox"/>	<input type="checkbox"/>	<input type="checkbox"/>	<input type="checkbox"/>
No.	1	2	3	4	5
0	0	0	0	0	0
1	0	0	0	0	1
2	0	0	0	1	0
:	:	:	:	:	:
31	1	1	1	1	1

Select from 31 pre-recorded output sound options by using a combination of the 5 channel input switches. Selecting one sound by combining 5 switches is binary input method. The binary input method allows you to express each of the 31 alarm sound signals with a "0" or "1" by switching the 5 channels on and off as shown in the table.

QWH35-TI Wall Mount Electronic Sounder with Pre-Recorded Special Warning Sound

Model number	Voltage	Current	Sound pattern and volume	Certificates	Weight
QWH35-TI Terminal box equipped type Builtin sound type	DC12V	1.19A	·Binary Input: 31Ch ·Warning sounds: Max.115dB (Based on Ch31)	-	1.10kg
	DC24V	650mA			
	AC110V-220V	Max. 320mA			

QWH50-TI Wall Mount Electronic Sounder with Pre-Recorded Special Warning Sound

Model number	Voltage	Current	Sound pattern and volume	Certificates	Weight
QWH50-TI Terminal box equipped type Builtin sound type	DC12V	3.62A	·Binary Input: 31Ch ·Warning sounds: Max.123dB (Based on Ch16)	-	3.00kg
	DC24V	1.78A			
	AC110V-220V	Max. 750mA			

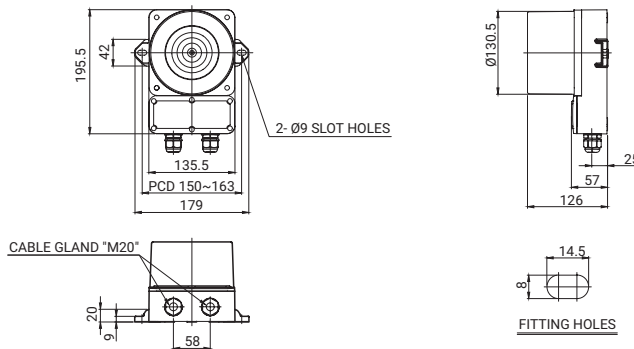
※ AC type model has a free-voltage range of 100V-240V.



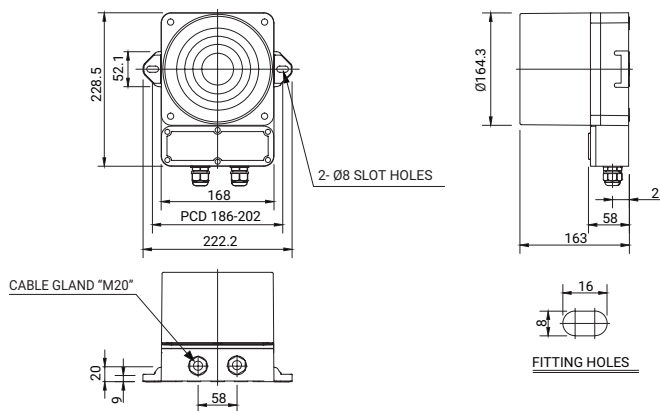
Technical Diagram

Units: mm

·QWH35-TI



·QWH50-TI



Easy wiring with 2 cable entries terminal box type



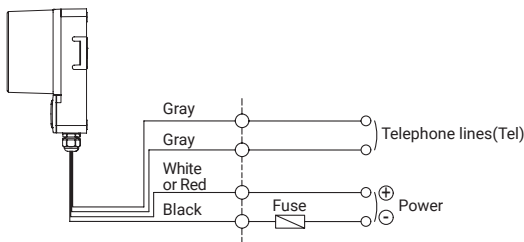
QWH35-TI
(Max.115dB)



QWH50-TI
(Max.123dB)

Sound Selection Instructions and Wiring

·QWH35-TI / QWH50-TI - DC/AC



- Please wire the unit in accordance with a wiring diagram below as power line and telephone line are wired externally.
- External power line - UL1015 AWG18(0.75sq) x 2C 400mm
- External telephone lines - UL1007 AWG22(0.3sq) 400mm
- Binary input 31 sound tones output
- ※ Please refer to [Sound pattern and combination for multifunctional product] on this catalogue for channel input setting(Wiring instruction is replaced to channel selection switch)

Ordering Specification

QWH35	-	110/220	-	TI
[Model number]		[Voltage]		[Telephone Initiated]
QWH35		12-DC12V		TI-Telephone Initiated
QWH50		24-DC24V		
		110/220-AC110V-220V		

Customization

- Cold-resistance type(DC type only)