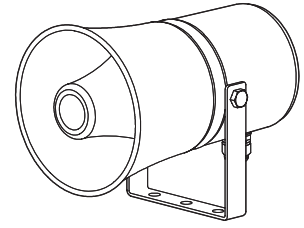


Electric Horns for Vessels and Heavy Industrial Applications

SN/ SEHN25/ SEHN50



Thank you for purchasing Qlight's products. Please read this user manual carefully prior to installation and operation to ensure safe and correct use.

⚠ Precautions for Safety

Failure to follow the instructions below may cause a loss of life or serious physical injury.

1. During wiring or maintenance, please completely turn off the power of the product. (Failure to follow this may lead to an electric shock.)
2. Do not install the product in locations that subjects it to excessive dust or water other than the conditions designated by the IP protection ratings indicated for each product. (Failure to follow these instructions may cause a fire to the product, electric shock, physical injury, malfunction or damage to the product.)
3. Do not alter or repair this product. If maintenance or repair service is required, please contact your local Qlight contact point. (Failure to follow these instructions may lead to fire, electric shock, or product damage.)
4. Please apply the correct voltage to the product. (Failure to follow these instructions may lead to fire, electric shock, or product damage.)
5. When the product is applied to a condition that may impact lives or property, please make sure to have a double safety device. (Failure to follow this may cause damage to property, fire, electric shock and loss of life.)

⚠ Precautions for Correct Use

Failure to follow the proper instructions may cause damage to property, the product, or malfunction of the product that would void the warranty.

1. Please remove any objects that can interrupt ventilation around the product.
2. Please turn off the power of the product immediately if it fails to operate properly.
3. Carefully wire the product according to each product's specification.
4. Please be careful in preventing chemicals such as thinner, benzene, etc. in contact with the surface of the product.
5. Do not apply excessive force/impact to the product.
6. Failure to follow any of the instructions above may cause malfunction or damage to the product, fire, and electric shock.

Ordering Specifications

SEHN25	WA	24	LC
[Model number]	[Sound]	[Voltage]	[Sound selection]
<ul style="list-style-type: none"> • SN • SEHN25 • SEHN50 	<ul style="list-style-type: none"> • WS-Warning sounds • WP-Special warning sounds • WM-Melodies • WA-Alarms • WV-Customizable sounds 	<ul style="list-style-type: none"> • 12-DC12V • 24-DC24V • 12/24-DC12V-24V (SN only) • 110-AC110V • 220-AC220V 	<ul style="list-style-type: none"> • (Blank) - Standard type • LC Type - Uses external contact

Product Specifications

Model number	Voltage	Current	Sound pattern and volume	Certificate	Weight	
SN	DC12V	Max. 265mA	<ul style="list-style-type: none"> • WS-5 Warning Sounds • WP-Special warning sounds • WM-5 Melodies • WA-5 Alarms • WV-5 Customizable sounds 	CE	0.91kg	
	-24V	65mA			1.06kg	
	AC110V	30mA				
SEHN25	DC12V	2.2A		<ul style="list-style-type: none"> • WS-5 Warning Sounds • WP-Special warning sounds • WM-5 Melodies • WA-5 Alarms • WV-5 Customizable sounds 	-	2.26kg
	DC24V	1A				2.48kg
	AC110V	220mA				
	AC220V	110mA				
SEHN50	DC12V	2.45A	<ul style="list-style-type: none"> • WS-5 Warning Sounds • WP-Special warning sounds • WM-5 Melodies • WA-5 Alarms • WV-5 Customizable sounds 		-	2.67kg
	DC24V	1.15A				3.30kg
	AC110V	280mA				
	AC220V	170mA				

※ CE compliant : DC12V-24V, AC220V(SN only)

※ In case of customized WV 5 tone type, there may be difference of volume depending on user's audio file type.

• **Protection rating : IP55**

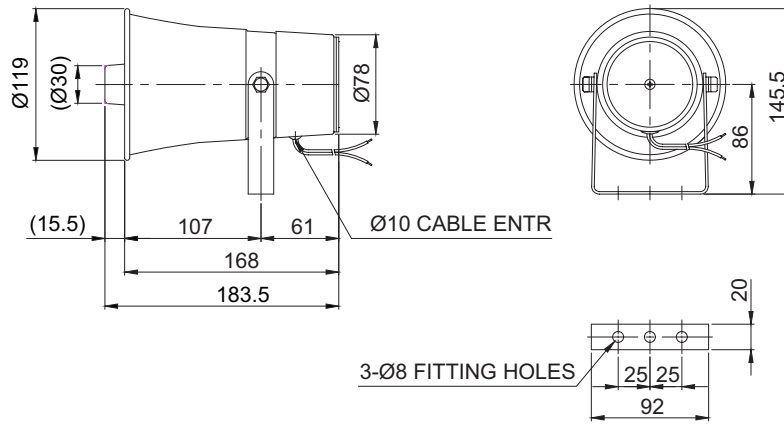
• **Ambient operating temperature : -25°C to +50°C**



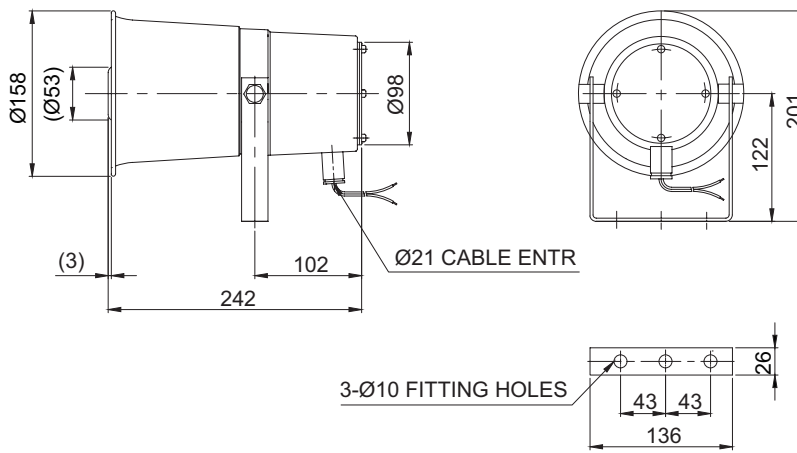
Please scan the QR code for more detailed product information.

www.qlight.com

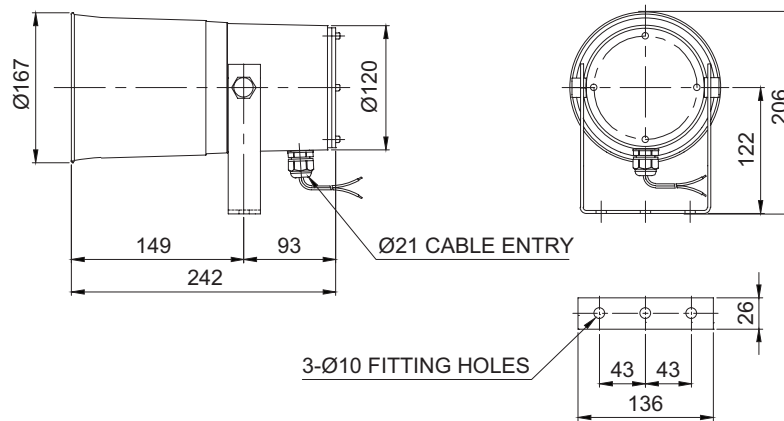
SN



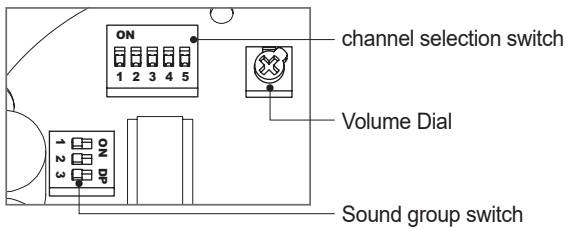
SEHN25



SEHN50



Sound Selection - Using Internal Switch (Built-in Sound Type)



- The standard type product has a tone setting switch and volume control built-in inside the product.
- Select the desired channel using the channel selection switch
- For tone group settings, refer to the website [Customer Support] - [Technical Data] - [Types of Tone and Combination of General Tone products].

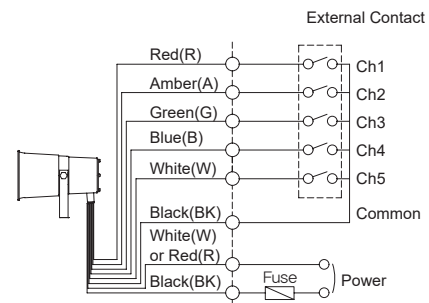
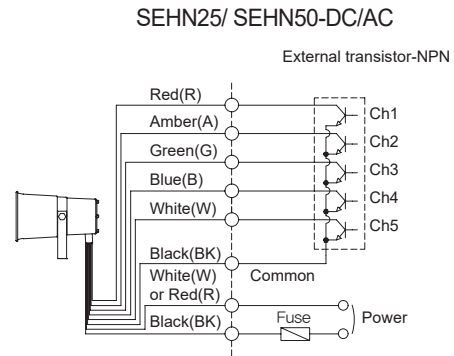
■ Sound Type by Group

Category	Sound pattern	Channel	Sound tone	Volume (Max.)		
				SN	SEHN25	SEHN50
WS	5 Warning sounds	Ch1	Fire.A-ANG	Max. 98dB	Max. 115dB	Max. 118dB
		Ch2	Emergency WA-U			
		Ch3	Ambulance PI-PO			
		Ch4	Machinery Fault			
		Ch5	High Expansion			
WM	5 Melodies	Ch1	Sweet Home	Max. 98dB	Max. 115dB	Max. 115dB
		Ch2	For Elise			
		Ch3	Cuckoo's Waltz			
		Ch4	Piano Sonata			
		Ch5	Turkish March			
WA	5 Alarms	Ch1	Beep Intermittent	Max. 100dB	Max. 113dB	Max. 118dB
		Ch2	Door Chime			
		Ch3	Phone Ring			
		Ch4	PI.PI.PI Short			
		Ch5	Tripping Beat			
WV	5 Customizable sounds	Ch1- Ch5	Available upon request (customized voice type)	92-96dB	99-112dB	108-118dB

※ In case of customized WV 5 tone type, there may be difference of volume depending on user's audio file type.

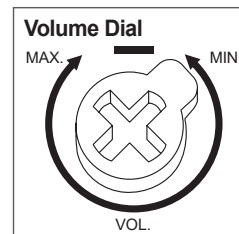
Wiring Instructions for LC Type

- LC type product with exposed sound selection signal line is available upon request. Please refer to the diagram below for wiring.



- External power line - UL1015 AWG18(0.75sq) x 2C 400mm
- LC type external signal line - UL1007 AWG22(0.3sq) 400mm
- This product can be wired regardless of polarity.

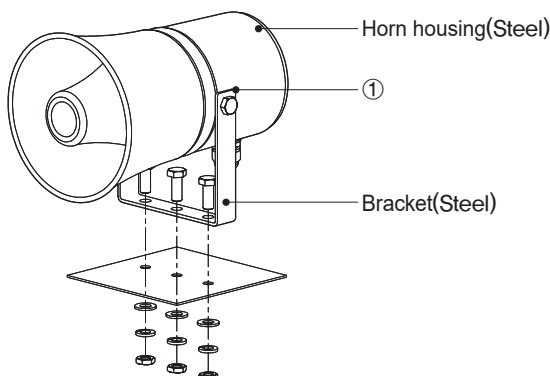
Volume Adjustment



- The volume output of this product is adjustable.
- Turn the volume dial clockwise to increase the volume, and turn counter clockwise to decrease the volume.
- There will be no sound when the dial is put at MIN.

Parts Definition/ Installation/ Adjusting the Angle of the Horn housing

■ Parts Definition



■ Parts Installation

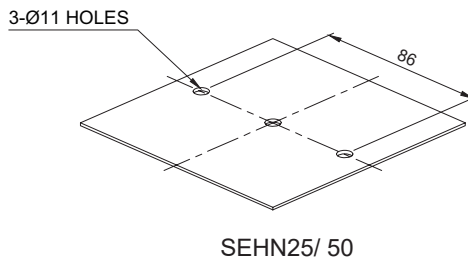
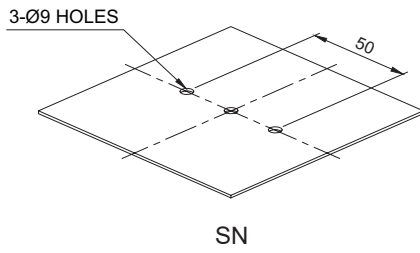
- First, machine taps or holes on the mounting surface .
- The mounting hole of this product is 8mm(SN only), 10mm in diameter.
- When machining taps, fasten the bolt through the mounting hole of the product.
- When machining holes, insert the bolt through the hole of the product, and tighten the nut from the opposite side of the mounting surface
- When assembling using bolt and nut, please make sure to use flat washer and spring washer.

■ Adjusting the Angle of the Horn housing

- When adjusting the phase and lower angle of the mixed housing (signalling angle) after product cancellation Loosen the bracket fixing bolts(①) on the side of the product slightly to adjust the desired angle.

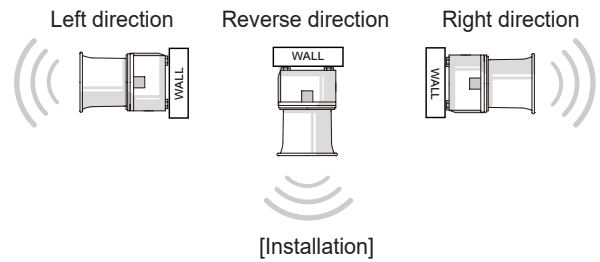
Mounting Hole Specifications

- Machine holes on the mounting surface referring to the diagram below.



Precautions for installation

- In case of outdoor applications, install the product in the upright position. Do not install the product horizontal or upside-down positions where water can potentially penetrate into the product and impact its operation.



Installation Environment and Protection Rating

- This product is designed for use with protection rating of IP55.
- If the product is installed in locations that subject it to excessive dust or water other than the designated IP protection rating indicated(IP55), it may cause malfunction or damage to the product.
- For further information, please visit our website (www.qlight.com).

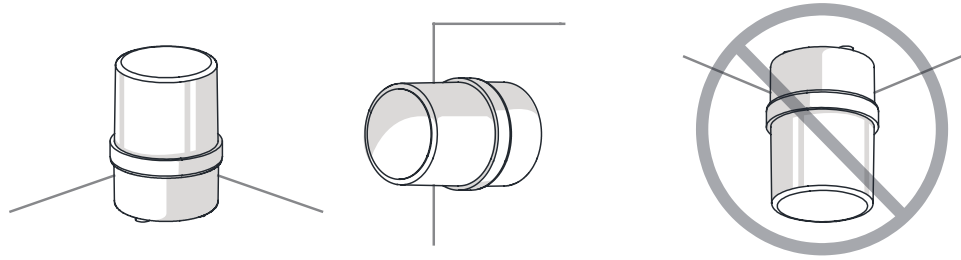
Product installation direction

- Install the product in accordance with the manual. Otherwise rainwater or moisture may penetrate into the product.

· BEACON/SIGNALING LIGHT

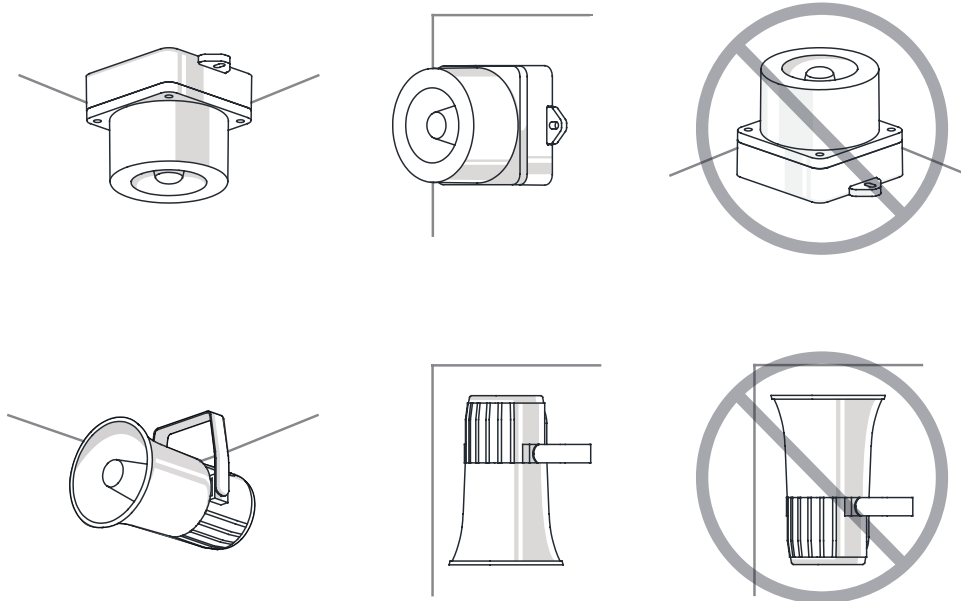
※ For products with a protection rating of less than IPX4, please install it vertically.

Power cord inlet part shall not be facing the sky.



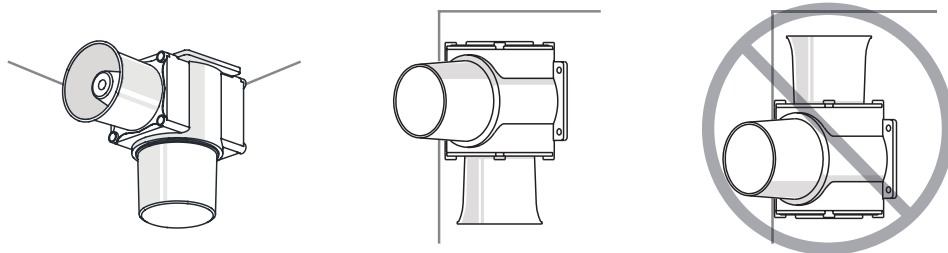
· ELECTRONIC SOUNDER/SIGNAL HORN

Sounder part shall not be facing the sky.



· HEAVY-DUTY & EXPLOSION PROOF SIGNALINGS

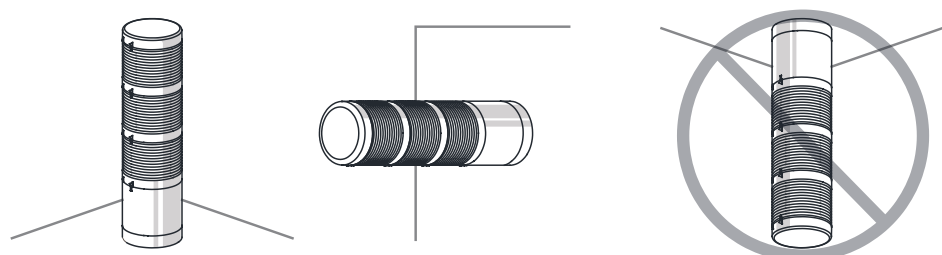
Sounder part shall not be facing the sky.



· SIGNAL TOWER LIGHTS

※ For products with a protection rating of less than IPX4, please install it vertically.

Power cord inlet part shall not be facing the sky.





For your safety

Specification and dimensions listed in this catalogue subject to change without notice for product quality improvement.
The newest product information is available on our website.(www.qlight.com)
Please read the instruction manual attached to the product carefully before installation and use.

Korea Corporation Qlight Co., Ltd. www.qlight.com | trade@qlight.com

Head Office | Suite #1510, STX-V Tower, 128 Gasan Digital 1-ro, Geumcheon-gu, Seoul, 08507, South Korea

Tel: +82-2-2679-6152 Fax: +82-2-2679-6154

Factory(Gimhae Production Headquarters) | 185-25, Mukbang-ro, Sangdong-myeon, Gimhae-si, Gyeongsangnam-do, 50805, South Korea

Tel: +82-55-328-1111

Overseas Sales Department | Qlight Building, 704 Nakdong-daero, Sasang-gu, Busan 47044, South Korea Tel: +82-51-620-4100

Busan Business Center | Qlight Building, 704 Nakdong-daero, Sasang-gu, Busan 47044, South Korea Tel: +82-51-245-0017

China Corporation SHANGHAI Qlight Electronic Co., Ltd. www.qlight.com www.qlightcn.com | qlightcn@qlight.com

Sales Corporation (Shanghai) | Room 333 Building B, No.11, Lane 450, Zhenda Road, Baoshan District, Shanghai, China

Tel: +86-21-6651-7100 Fax: +86-21-6315-3929

Manufacturing Corporation (Qidong) | No.33, Haiyan Road, Qidong High-tech Industrial Development Zone, Qidong, Jiangsu Province, China

Tel: +86-513-8384-9999 Fax: +86-513-8384-9910

Qlightec

Innovation in Alarm & Signal

Product Operation Inquiry / Customer Support +82-51-620-4100

You can expect prompt service if you have exact information such as model name, symptom, telephone number and address.

※ ALL PRODUCT, PRODUCT SPECIFICATIONS AND DATA ARE SUBJECT TO CHANGE WITHOUT NOTICE TO IMPROVE RELIABILITY, FUNCTION OR DESIGN OR OTHERWISE.

Head office : Suite #1510, STX-V Tower, 128 Gasan digital 1-ro, Geumcheon-gu, Seoul, Korea (Postal Code : 08507)

Factory : 185-25, Mukbang-Ro, Sangdong-Myeon, Gimhae-Si, Gyeongsangnam-Do, Korea (Postal Code : 50805)

www.qlight.com

EN - SEHN25 - 2601A