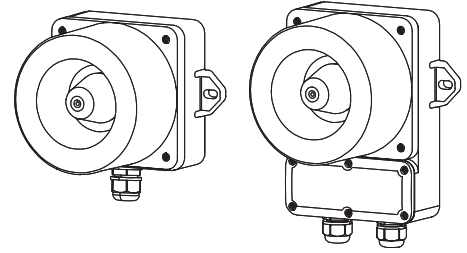


LED Strobe Light and Alarm Sounder Combinations(Telephone Initiated)

QWCD35-TI/ QWCD50-TI



Thank you for purchasing Qlight's products. Please read this user manual carefully prior to installation and operation to ensure safe and correct use.

⚠ Precautions for Safety

Failure to follow the instructions below may cause a loss of life or serious physical injury.

1. During wiring or maintenance, please completely turn off the power of the product. (Failure to follow this may lead to an electric shock.)
2. Do not install the product in locations that subjects it to excessive dust or water other than the conditions designated by the IP protection ratings indicated for each product. (Failure to follow these instructions may cause a fire to the product, electric shock, physical injury, malfunction or damage to the product.)
3. Do not alter or repair this product. If maintenance or repair service is required, please contact your local Qlight contact point. (Failure to follow these instructions may lead to fire, electric shock, or product damage.)
4. Please apply the correct voltage to the product. (Failure to follow these instructions may lead to fire, electric shock, or product damage.)
5. When the product is applied to a condition that may impact lives or property, please make sure to have a double safety device. (Failure to follow this may cause damage to property, fire, electric shock and loss of life.)

⚠ Precautions for Correct Use

Failure to follow the proper instructions may cause damage to property, the product, or malfunction of the product that would void the warranty.

1. Please remove any objects that can interrupt ventilation around the product.
2. Please turn off the power of the product immediately if it fails to operate properly.
3. Carefully wire the product according to each product's specification.
4. Please be careful in preventing chemicals such as thinner, benzene, etc. in contact with the surface of the product.
5. Do not apply excessive force/impact to the product.
6. Failure to follow any of the instructions above may cause malfunction or damage to the product, fire, and electric shock.

Ordering Specifications

QWCD35	-	110/220	-	R	-	TI
[Model number]		[Voltage]		[Color]		[Telephone Initiated]
• QWCD35		• 12 - DC12V		R-Red		• TI-Telephone Initiated
• QWCD50		• 24 - DC24V		A-Amber		
		• 110/220 - AC110V-220V		G-Green		
				B-Blue		



Please scan the QR code for more detailed product information.

www.qlight.com

Product Specifications

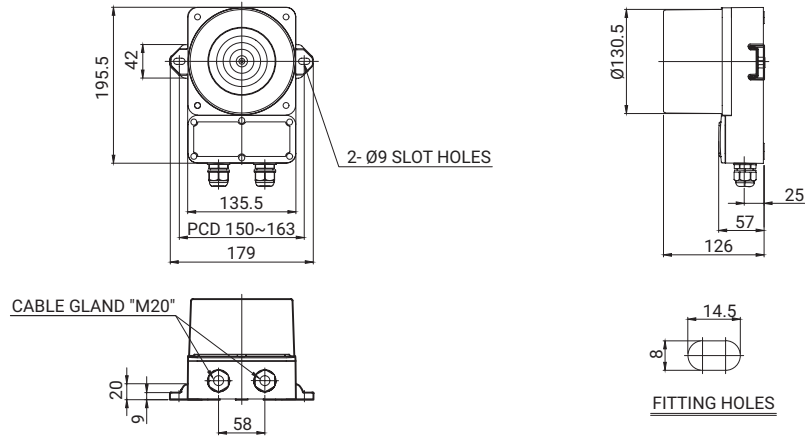
Model number	Voltage	Current	Sound pattern and volume	Certificate	Weight	Color
QWCD35-T1 Terminal box equipped type Built-in standard sound	DC12V	1.39A	<ul style="list-style-type: none"> • Binary Input : 31Ch • Built-in sound : Max.115dB (Based on Ch31) 	-	1.30kg	R-Red A-Amber G-Green B-Blue
	DC24V	840mA			1.35kg	
	AC110V-220V	Max.370mA				
QWCD50-T1 Terminal box equipped type Built-in standard sound	DC12V	4.69A	<ul style="list-style-type: none"> • Binary Input : 31Ch • Built-in sound : Max.123dB (Based on Ch16) 	-	3.10kg	
	DC24V	2.5A			3.40kg	
	AC110V-220V	Max.920mA				

- Protection rating : IP66
- Ambient operating temperature : -30°C to +50°C (Standard type)
-50°C to +50°C (Low temperature type only DC)

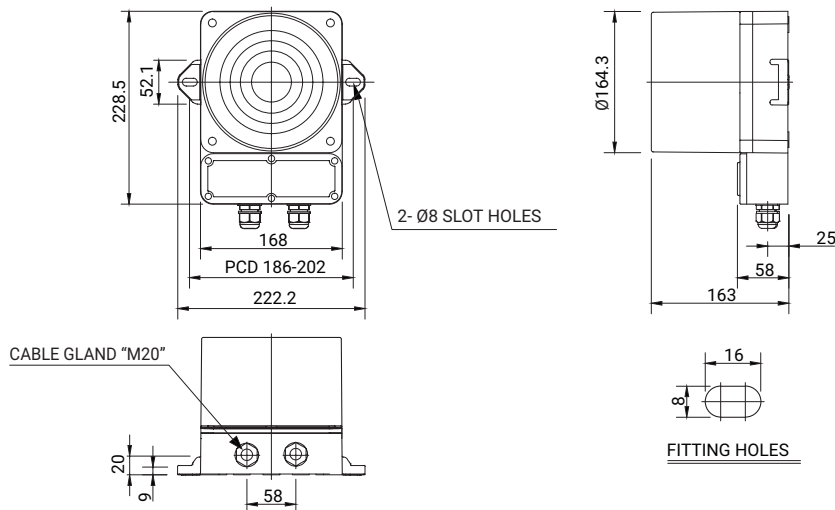
Dimensions

(Units : mm)

QWCD35-T1

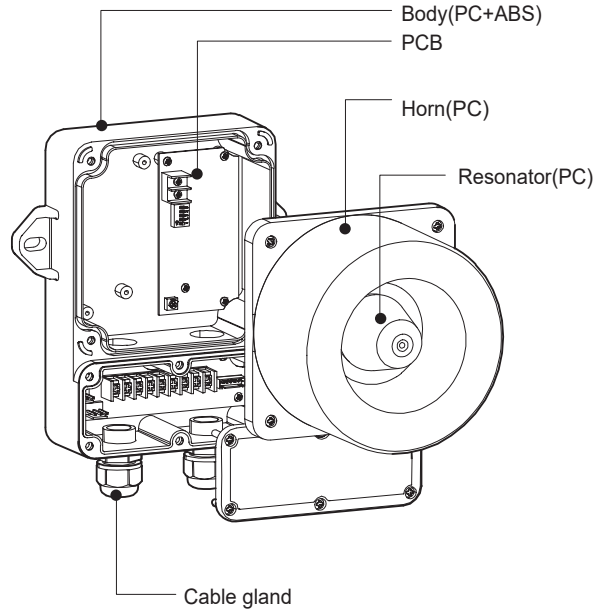


QWCD50-T1

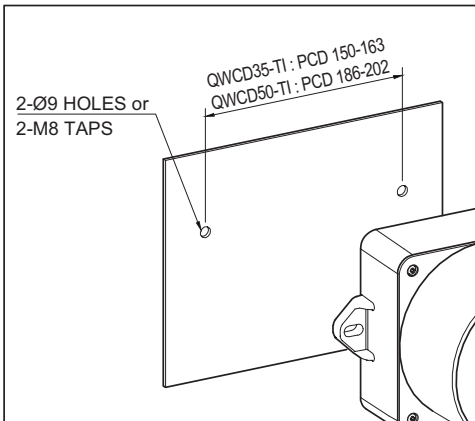


■Parts Definition

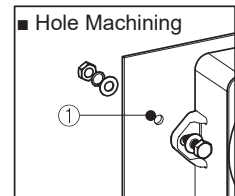
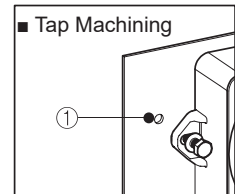
QWCD35-TI / QWCD50-TI



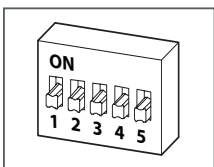
■Installation



- First, make taps or holes that match the product mounting bolts locations on the mounting surface①.
- The mounting hole of this product is 9mm in diameter (long hole).
- If the tap is machined, fasten the bolt through the mounting hole of the product.
- When machining a hole, insert the bolt through the product, insert it into the hole, and tighten the nut from the opposite side of the mounting surface.
- Install a flat washer and a spring washer to the bolt if the product can experience severe vibration and shock.



■Sound Selection - Using Internal Switch (Built-in Sound Type)



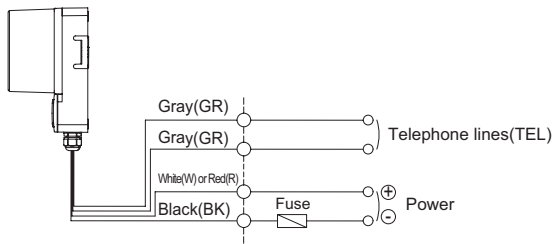
- For built-in sound type, use 'Sound Channel Selection Switch' located inside the product in order to select the type of sound. (For sound configuration chart, please refer to page 5)

■Telephone lines rated power

- Rated Power when telephone lines are not in use: 45VDC to 55VDC
- Rated Power when telephone rings : AC25V to AC120V, Frequency 15-55Hz(Ring Ring signal sound)

Wiring Instructions

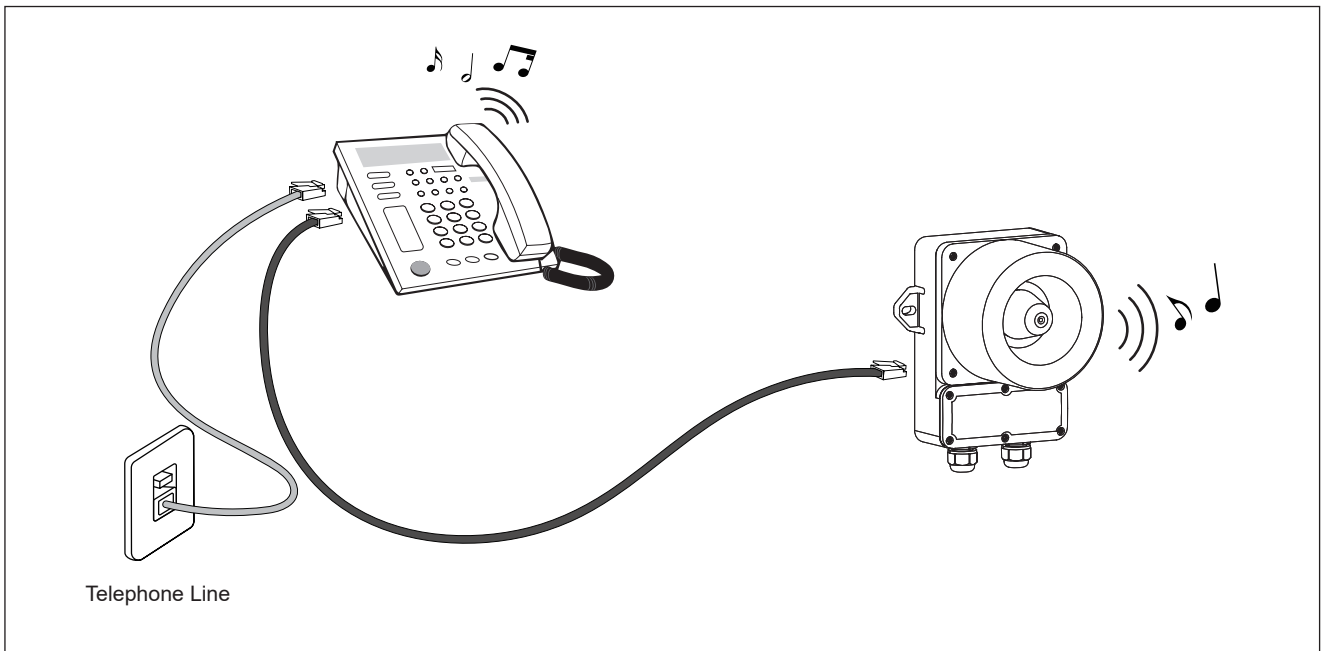
QWCD35-TI / QWCD50-TI



- Please wire the unit in accordance with a wiring diagram below as power line and telephone line are wired externally.
- External power line - UL1015 AWG18(0.75sq) x 2C 400mm
- External telephone lines - UL1007 AWG22(0.3sq) 400mm

Wiring method

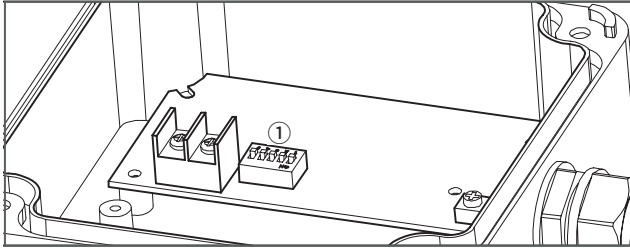
- Supply power to the product, and connect the telephone line (2 LINE) to the PSTN telephone line. (connected in parallel with the telephone)
- When the phone rings, a telephone controller recognizes a signal that activates a relay. Once the relay is activated, the signal light & sounder PCB is powered on and beacon & sounder will be operated.
- Beacon & sounder will be stopped when an operator receives a phone call.



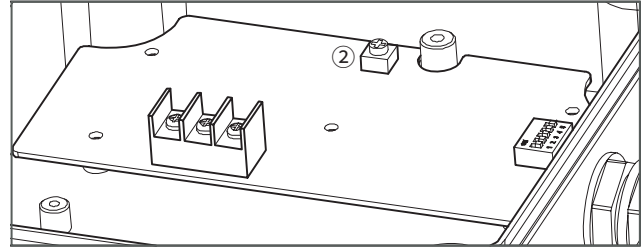
Operation Parts Configuration

■ QWCD35-TI / QWCD50-TI (Built-in Sound Type)

QWCD35-TI



QWCD50-TI



• Built-in sound type product supports binary input 31 channels.

- ① Sound channel selection switch (For more information, please refer to “Types and Combinations of sounds.”)
- ② Volume dial (For more information, please refer to “Volume Adjustment”.)

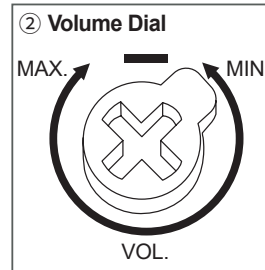
Sound Type and Combination Manual

■ Binary Input - Playing Built-in Sound

- When playing the built-in sound, select the sound in binary input mode.
- In binary input mode, you can choose one sound from 31 sounds by configuring the 5 channels.

Binary input method sound configuration						Type of sound	
No.	Ch1	Ch2	Ch3	Ch4	Ch5		
	ON(1) OFF(0)	<input type="checkbox"/>	<input type="checkbox"/>	<input type="checkbox"/>	<input type="checkbox"/>	<input type="checkbox"/>	
No.	1	2	3	4	5		
0	0	0	0	0	0	No sound	
1	0	0	0	0	1	Rel rel rel	
2	0	0	0	1	0	Slow Ambulance PI-PO	
3	0	0	0	1	1	Oit Oit warning sound	
4	0	0	1	0	0	Emergency(Siren)	
5	0	0	1	0	1	Pi- buzzer	
6	0	0	1	1	0	7 Short Pl. / 1 Long	
7	0	0	1	1	1	Pi o Pi o	
8	0	1	0	0	0	Phone Ring	
9	0	1	0	0	1	Pi- buzzer	
10	0	1	0	1	0	Pi pi pi short	
11	0	1	0	1	1	Di o Di o 2 tones buzzer	
12	0	1	1	0	0	Oit Oit warning sound	
13	0	1	1	0	1	Slow Ambulance PI-PO	
14	0	1	1	1	0	Slow Di o Di o	
15	0	1	1	1	1	Fast Li o li o	
16	1	0	0	0	0	Fire.A-ANG	
17	1	0	0	0	1	Fast Ambulance PI-PO	
18	1	0	0	1	0	Slow Ambulance PI-PO	
19	1	0	0	1	1	Ri ro ri ro warning sound	
20	1	0	1	0	0	Repeat Di-o 3 times	
21	1	0	1	0	1	Fire.A-ANG	
22	1	0	1	1	0	Ambulance PI-PO	
23	1	0	1	1	1	Slow Fire.A-ANG	
24	1	1	0	0	0	Pi-pi- buzzer low frequency	
25	1	1	0	0	1	Pi-pi- buzzer high frequency	
26	1	1	0	1	0	Di-di- buzzer high frequency	
27	1	1	0	1	1	Di-di- buzzer low frequency	
28	1	1	1	0	0	Rising Po-ong	
29	1	1	1	0	1	Fast Ambulance PI-PO	
30	1	1	1	1	0	Rising frequency	
31	1	1	1	1	1	Repeat A-ANG	

Volume Adjustment



- The volume output of this product is adjustable.
- Turn the volume dial clockwise to increase the volume, and turn counter clockwise to decrease the volume.
- There will be no sound when the dial is put at MIN.

Operation Method and Setting

Model number	Built-in sound	When playing a built-in sound
		Binary input
QWCD35-TI QWCD50-TI	31 types of sounds	Play one of 31 Special warning sounds

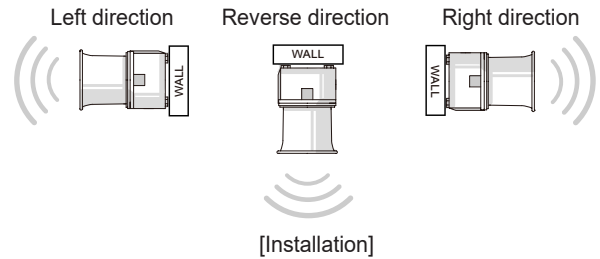
1. QWCD35-TI / QWCD50-TI

■ When Using a Built-in Sound in Binary Input Mode

- Use 'Channel Selection Switch' to select one of the 31 built in sounds.
- Please refer to a manual on page #5 'Binary Input - Playing Built-in Sound'.

Precautions for installation

- In case of outdoor applications, install the product in the upright position. Do not install the product horizontal or upside-down positions where water can potentially penetrate into the product and impact it's operation.



Installation Environment and Protection Rating

- This product is designed for indoor and outdoor use with protection rating of IP66.
- If the product is installed in locations that subject it to excessive dust or water other than the designated IP protection ratings indicated(IP66), it may cause malfunction or damage to the product.
- After installing the cable, tighten the cable entry as same level of protection rating of the product and seal it so that dust and moisture can not penetrate into the product.
- For further information, please visit our website (www.qlight.com).

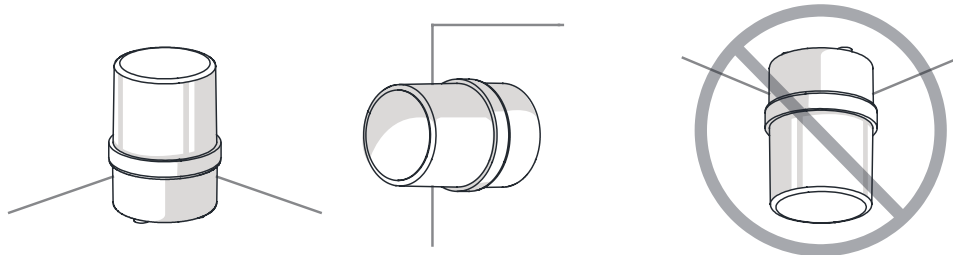
Product installation direction

- Install the product in accordance with the manual. Otherwise rainwater or moisture may penetrate into the product.

· BEACON/SIGNALING LIGHT

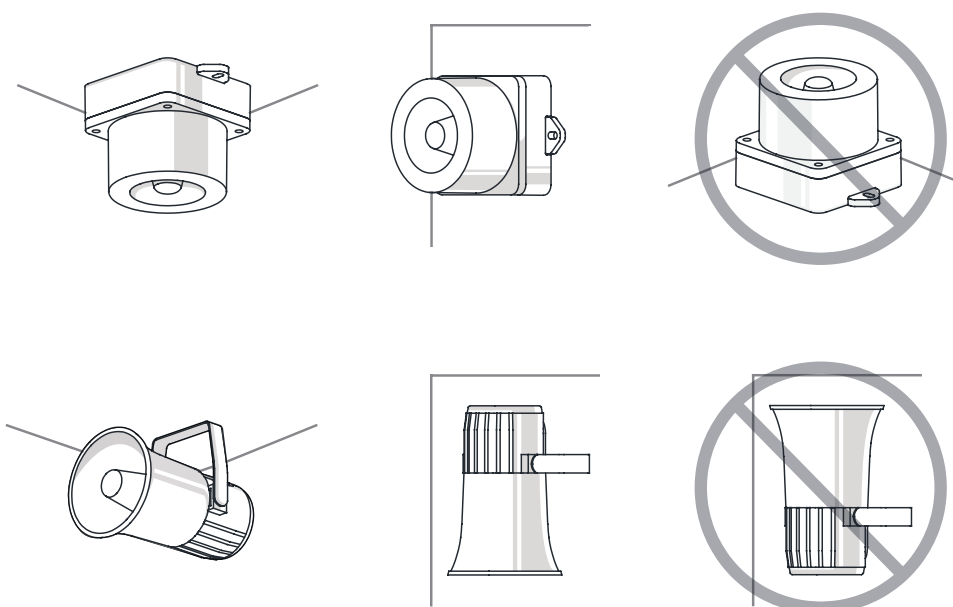
※ For products with a protection rating of less than IPX4, please install it vertically.

Power cord inlet part shall not be facing the sky.



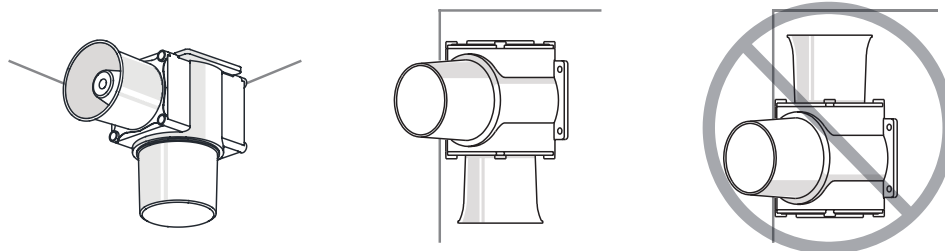
· ELECTRONIC SOUNDER/SIGNAL HORN

Sounder part shall not be facing the sky.



· HEAVY-DUTY & EXPLOSION PROOF SIGNALINGS

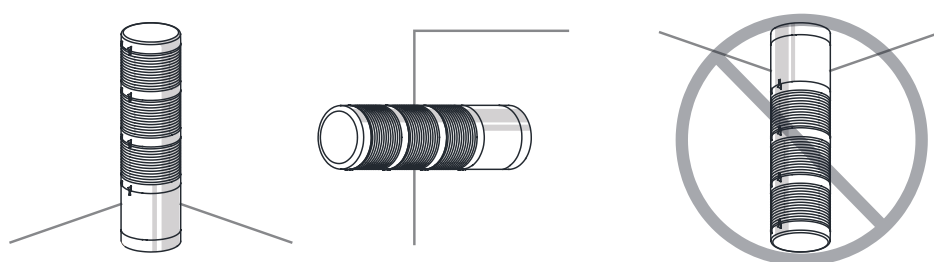
Sounder part shall not be facing the sky.



· SIGNAL TOWER LIGHTS

※ For products with a protection rating of less than IPX4, please install it vertically.

Power cord inlet part shall not be facing the sky.





For your safety

Specification and dimensions listed in this catalogue subject to change without notice for product quality improvement.
The newest product information is available on our website.(www.qlight.com)
Please read the instruction manual attached to the product carefully before installation and use.

Korea Corporation Qlight Co., Ltd. www.qlight.com | trade@qlight.com

Head Office | Suite #1510, STX-V Tower, 128 Gasan Digital 1-ro, Geumcheon-gu, Seoul, 08507, South Korea

Tel: +82-2-2679-6152 Fax: +82-2-2679-6154

Factory(Gimhae Production Headquarters) | 185-25, Mukbang-ro, Sangdong-myeon, Gimhae-si, Gyeongsangnam-do, 50805, South Korea

Tel: +82-55-328-1111

Overseas Sales Department | Qlight Building, 704 Nakdong-daero, Sasang-gu, Busan 47044, South Korea Tel: +82-51-620-4100

Busan Business Center | Qlight Building, 704 Nakdong-daero, Sasang-gu, Busan 47044, South Korea Tel: +82-51-245-0017

China Corporation SHANGHAI Qlight Electronic Co., Ltd. www.qlight.com www.qlightcn.com | qlightcn@qlight.com

Sales Corporation (Shanghai) | Room 333 Building B, No.11, Lane 450, Zhenda Road, Baoshan District, Shanghai, China

Tel: +86-21-6651-7100 Fax: +86-21-6315-3929

Manufacturing Corporation (Qidong) | No.33, Haiyan Road, Qidong High-tech Industrial Development Zone, Qidong, Jiangsu Province, China

Tel: +86-513-8384-9999 Fax: +86-513-8384-9910

Qlightec

Innovation in Alarm & Signal

Product Operation Inquiry / Customer Support +82-51-620-4100

You can expect prompt service if you have exact information such as model name, symptom, telephone number and address.

※ ALL PRODUCT, PRODUCT SPECIFICATIONS AND DATA ARE SUBJECT TO CHANGE WITHOUT NOTICE TO IMPROVE RELIABILITY, FUNCTION OR DESIGN OR OTHERWISE.

Head office : Suite #1510, STX-V Tower, 128 Gasan digital 1-ro, Geumcheon-gu, Seoul, Korea (Postal Code : 08507)

Factory : 185-25, Mukbang-Ro, Sangdong-Myeon, Gimhae-Si, Gyeongsangnam-Do, Korea (Postal Code : 50805)

www.qlight.com

EN - QWCD35-TI - 2511A