

QWCD-TI Series

A new concept of using the horn cover as a light globe

PRODUCT SPECIFICATION

QWCD35-TI | QWCD50-TI

Materials Horn-PC, Housing-PC+ABS

Ambient operating temperature

-30°C to +50°C (Standard type)

-50°C to +50°C (Low temperature type only DC)

Protection rating IP66

Flashing rate 60-80 flashes/min

Compliant with RoHS directive

- Telephone Initiated Signal beacon triggers built-in alarm sound that is activated by 25Hz telephone ring signal
- Highly noticeable telephone alarm in noisy environment
- Telephone line(2 LINE) is connected to PSTN telephone line
- Easy device customization with built in sound selection function, volume adjustment function and an SD Card slot for user inputted tones
- 31 available tones that can be selected for a variety of environments
- 31 pre-recorded tones available via binary input
- Suitable for use in environments that require a tight seal and superior dust protection rated IP66
- Easy wiring through external terminal block
- Rated power when telephone lines are not in use: 45VDC - 55VDC
- Rated power when telephone rings : AC25V-AC120V, Frequency 15-55Hz

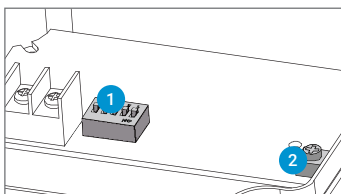


QWCD-TI Series

Qlight's exclusive innovative design the horn cover emits light!

- Telephone Initiated Signal beacon triggers built-in alarm sound that is activated by 25Hz telephone ring signal
- By using the horn cover as a light globe, the size of the product has been reduced significantly
- The color of light can be selected from red, yellow, green, or blue
- Includes seven different playback functions; one function is the continuous playback function which provides constant message notification
- Can play special alarm sounds of built-in 31 sounds depending on environment, and supports binary input method
- By making the horn cover with polycarbonate (PC) material, the product has excellent durability and weather resistance
- Can be used for heavy-duty, ship, or outdoor use which requires waterproof, dustproof structure(IP66).

Built-in sound type



- 1 Channel selection switch
- 2 Volume

The input method of built-in sound type

	1	2	3	4	5
ON	<input type="checkbox"/>	<input type="checkbox"/>	<input type="checkbox"/>	<input type="checkbox"/>	<input type="checkbox"/>
OFF	<input type="checkbox"/>	<input type="checkbox"/>	<input type="checkbox"/>	<input type="checkbox"/>	<input type="checkbox"/>
No.	1	2	3	4	5
0	0	0	0	0	0
1	0	0	0	0	1
2	0	0	0	1	0
:	:	:	:	:	:
31	1	1	1	1	1

Built-in sound type model supports binary input mode which provides a selection of 31 different input combinations for five kinds of sounds.

You can only select 2 numbers with 1 switch; "0", "1". With 5 switches you can have 31 combinations. Selecting one sound from 5 switches is the binary input method.

QWCD-TI Series

Easy wiring with 2 cable entries terminal box type



QWCD35-TI Series



QWCD50-TI Series

QWCD35-TI LED Strobe Light & Alarm Sounder

Model number	Voltage	Current	Sound pattern and volume	Certificates	Weight	Color
QWCD35-TI Terminal box equipped type	DC12V	1.39A	·Binary Input: 31Ch ·Warning sounds : Max.115dB (Based on Ch31)	-	1.30kg	● R-Red
	DC24V	840mA				● A-Amber
Built-in sound type	AC110V-220V	Max.370mA			1.35kg	● G-Green ● B-Blue

※ AC type model has a free-voltage range of 100V-240V.

QWCD50-TI LED Strobe Light & Alarm Sounder

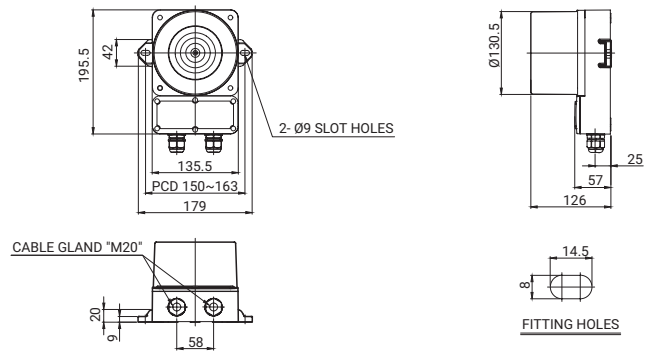
Model number	Voltage	Current	Sound pattern and volume	Certificates	Weight	Color
QWCD50-TI Terminal box equipped type	DC12V	4.69A	·Binary Input: 31Ch ·Warning sounds : Max.123dB (Based on Ch16)	-	3.10kg	● R-Red
	DC24V	2.5A				● A-Amber
Built-in sound type	AC110V-220V	Max.920mA			3.40kg	● G-Green ● B-Blue

※ AC type model has a free-voltage range of 100V-240V.

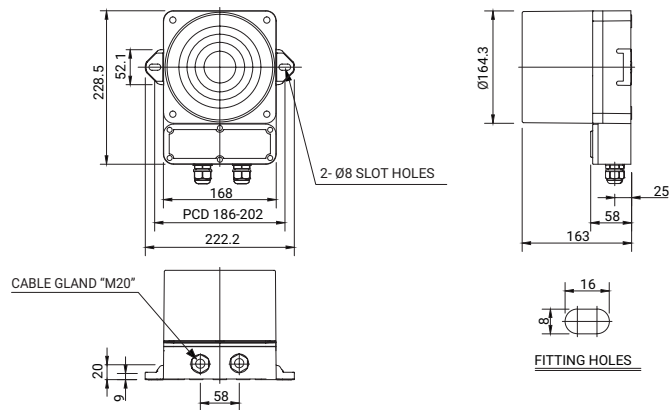
Technical Diagram

Units: mm

·QWCD35-TI



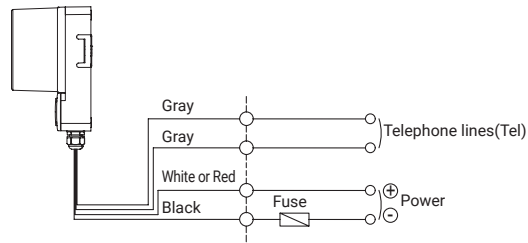
·QWCD50-TI





Sound Selection Instructions and Wiring

·QWCD35-TI / QWCD50-TI - DC/AC



- Please wire the unit in accordance with a wiring diagram below as power line and telephone line are wired externally.
- External power line - UL1015 AWG18(0.75sq) x 2C 400mm
- External telephone lines - UL1007 AWG22(0.3sq) 400mm
- Binary input 31 sound tones output
- ※ Please refer to [Sound pattern and combination for multifunctional product] on this catalogue for channel input setting
(Wiring instruction is replaced to channel selection switch)

Customization · Cold-resistance type(DC type only)

Ordering Specification

QWCD35	-	110/220	-	R	-	TI
[Model number]		[Voltage]		[Color]		[Telephone Initiated]
QWCD35 QWCD50		12-DC12V 24-DC24V 110/220-AC110V-220V		● R-Red ● A-Amber ● G-Green ● B-Blue		TI-Telephone Initiated