

QTC Series

Separate Color Filter Lens Inside the Outer Lens Helps to Provide a Clear Signal

PRODUCT SPECIFICATION

QTC Series

Materials Lens-PC, Filter lens-PC, Housing-ABS, Pole-Al

Ambient operating temperature -30°C to +50°C

Volume Max.85dB at 1m

Protection rating Standard type-IP65, Built-in buzzer type-IP54

Flashing rate 60-80/min

Compliant with RoHS directive

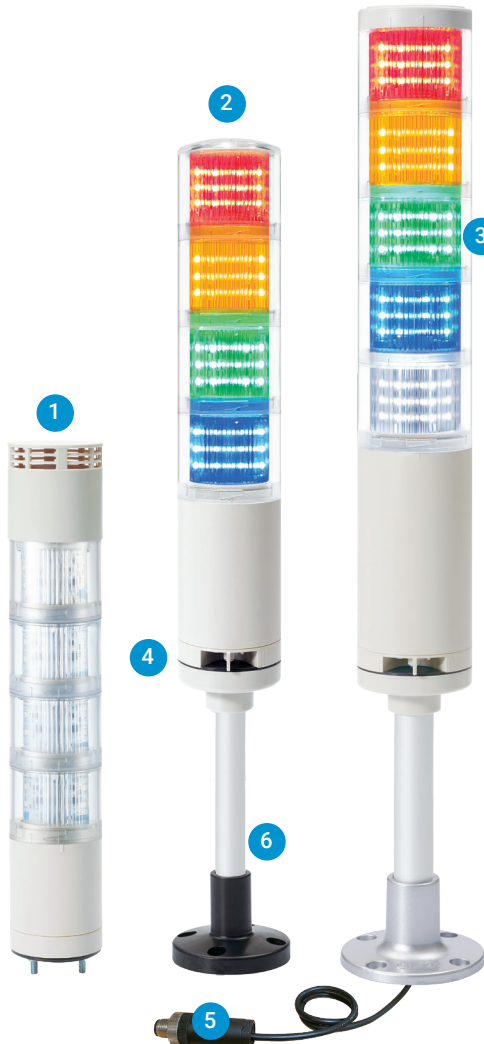
- Modular LED steady/flashing signal tower lights
- Added a separate color filter lens inside the outer lens to help provide a clear signal
- Can select from size selections of Ø50mm, Ø60mm and Ø70mm to fit your sophisticated application needs
- The addition of modules and change in color arrangement can be achieved without the use of tools by using the Lock-type structure
- QTC type offers a nifty integrated lens and cover for a simple aesthetically pleasing product
- When it is turned off the translucent color filter provides comfortable viewing at close proximity for the operator
- A variety of Mounting bracket selections for the pole mount type to fit your location and mounting needs
- Standard model and built-in buzzer model can be used by selecting the specifications suitable for the operating environment.
- Available in customized 2 sound buzzer type and high volume(100dB) buzzer type
- Wired type and M12 connector type allow for a customized model that M12 connector can be attached at the end of wires.
- Transistors can be connected and can be operated on PLC directly



Each modular color lens can be added without additional tools



QTC model uses a special contact structure for stable operation, the lens modules lock into place by rotating the modular structures together. This allows for easy changes to the color arrangement without any tools. Additional modules can be added.

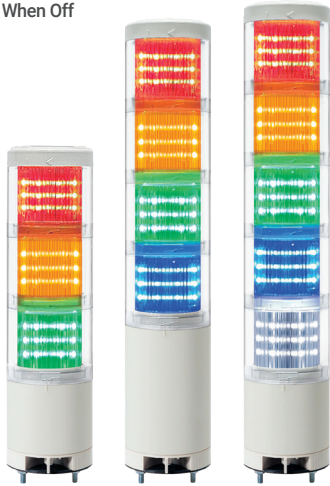


- 1 High volume buzzer(100dB) option can be fitted to the top of the product. (Customization)**
High volume 100dB volume buzzer module fastened to the top of the product provides 360 degree buzzer signal output which cannot be achieved with the single directional buzzer.(Buzzer volume cannot be adjusted)
- 2 Integrated cover and lens model(QTCA50 / QTCA60 / QTCA70)**
The sleek body cover and lens model is made of one piece for a simple unified look.
- 3 QTC Series Special Lens**
QTC Series added a separate color filter lens inside the outer lens to help provide a clear signal.
- 4 Buzzer volume is adjusted via the volume control lever**
QTC type volume can be adjusted for each specific working condition with the equipped buzzer volume control lever at the bottom of the product.(-BZ type)
- 5 M12 connector attached type**
M12 connector is standard(Female M12 connector is not provided).
- 6 Can select from a variety of Mounting brackets option to fit your application needs and build environment**
There are a variety of Mounting bracket options available depending on cost and installation requirements.

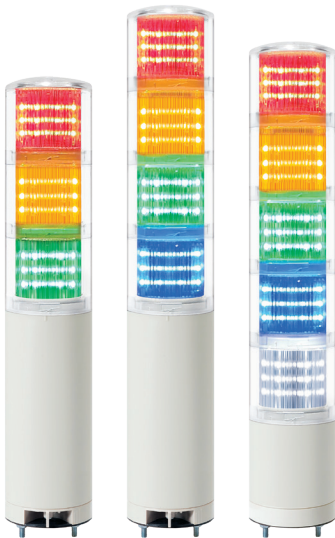
QTC60ML / QTC60L



When Off



QTC60ML Series



QTCA60ML Series



High-volume buzzer module

QTC60ML Ø60mm Direct mount, LED Steady/Flashing

Model number	Layers	Voltage	Certificates	Weight	Color
QTC60ML Steady	1	DC12V		0.28kg	● R-Red
QTC60ML-BZ Steady w/built-in buzzer		DC24V		0.28kg	
		AC110V-220V		0.38kg	
QTC60MLF Steady/Flashing	2	DC12V		0.36kg	● R-Red ● G-Green
QTC60MLF-BZ Steady/Flashing w/ built-in buzzer		DC24V		0.36kg	
		AC110V-220V	0.46kg		
QTC60ML Steady	3	DC12V	CE	0.45kg	● R-Red ● A-Amber ● G-Green
QTC60ML-BZ Steady w/built-in buzzer		DC24V		0.45kg	
		AC110V-220V		0.55kg	
QTCA60ML Steady	4	DC12V	UL	0.53kg	● R-Red ● A-Amber ● G-Green ● B-Blue
QTCA60ML-BZ Steady w/built-in buzzer		DC24V		0.53kg	
QTCA60MLF Steady/Flashing		AC110V-220V		0.63kg	
QTCA60MLF-BZ Steady/Flashing w/ built-in buzzer	5	DC12V		0.61kg	● R-Red ● A-Amber ● G-Green ● B-Blue ○ W-White
		DC24V		0.61kg	
		AC110V-220V	0.71kg		

※ AC type model has a free-voltage range of 100V-240V.

※ UL Listed: DC24V

Light source/buzzer current(based on 1 layer)

Voltage	DC12V	DC24V	AC110V-220V
Light source current(1 layer)	105mA	70mA	Max.60mA
Buzzer current	40mA	75mA	Max.55mA

Wiring Instructions

- External power line - UL1015 AWG18(0.75sq) x 2C 400mm
- External signal line - UL1007 AWG22(0.3sq) 400mm
- LED tower light can be wired by using transistor and External Contact

Customization

- DC24V voltage UL listed product
- M12 connector attached type
- 2 buzzer sound types : Both prolonged (beep, beep) and staccato (beep, beep, beep) buzzer output available
- Wall mount bracket options : Bracket structure allows for threading through the bracket hole or into the wall
- Top high-volume buzzer module mounted (lens limited to 4 layers or less)



Wall mount bracket TWS45



Wall mount bracket TWA45

Ordering Specification

QTC60ML	-	3	-	110/220	-	RAG
[Model number]		[Layers]		[Voltage]		[Color]
QTC60ML		1-1 Layer		12-DC12V		● R-Red
QTC60ML-BZ		2-2 Layers		24-DC24V		● A-Amber
QTC60MLF		3-3 Layers		110/220-AC110V-220V		● G-Green
QTC60MLF-BZ		4-4 Layers				● B-Blue
QTCA60ML		5-5 Layers				○ W-White
QTCA60ML-BZ						
QTCA60MLF						
QTCA60MLF-BZ						

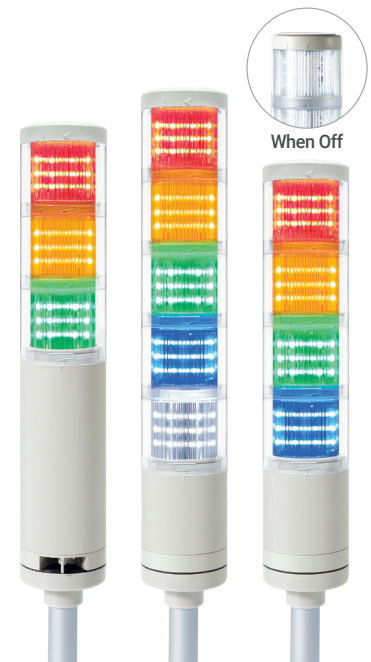


QTC60L Ø60mm Pole mount, LED Steady/Flashing

Model number	Layers	Voltage	Certificates	Weight	Color
QTC60L Steady	1	DC12V	CE UL	0.43kg	● R-Red
QTC60L-BZ Steady w/built-in buzzer		DC24V		0.43kg	
		AC110V-220V		0.53kg	
QTC60LF Steady/Flashing	2	DC12V		0.52kg	● R-Red
QTC60LF-BZ Steady/Flashing w/ built-in buzzer		DC24V		0.52kg	● G-Green
		AC110V-220V	0.62kg		
QTC60L Steady	3	DC12V	CE UL	0.60kg	● R-Red
QTC60L-BZ Steady w/built-in buzzer		DC24V		0.60kg	● A-Amber
		AC110V-220V		0.70kg	● G-Green
QTC60LF Steady/Flashing	4	DC12V		0.69kg	● R-Red
QTC60LF-BZ Steady/Flashing w/ built-in buzzer		DC24V		0.69kg	● A-Amber
		AC110V-220V	0.79kg	● G-Green	
QTC60LF Steady/Flashing	5	DC12V	CE UL	0.77kg	● R-Red
QTC60LF-BZ Steady/Flashing w/ built-in buzzer		DC24V		0.77kg	● A-Amber
		AC110V-220V		0.87kg	● G-Green
				● B-Blue	
				● W-White	

※ AC type model has a free-voltage range of 100V-240V.

※ UL Listed: DC24V



QTC60L Series

Light source/buzzer current(based on 1 layer)

Voltage	DC12V	DC24V	AC110V-220V
Light source current(1 layer)	105mA	70mA	Max.60mA
Buzzer current	40mA	75mA	Max.55mA

Wiring Instructions

- External power line - UL1015 AWG18(0.75sq) x 2C 400mm
- External signal line - UL1007 AWG22(0.3sq) 400mm
- LED tower light can be wired by using transistor and External Contact

Mounting bracket

Standard	LB18	LW18	QZ18	SZ18	QL18	SL18
Steel	Steel	ABS	ABS	Al	ABS	Al

※ Please refer to [Tower Light Mounting bracket] on this catalogue for detailed dimensions

Ordering Specification

QTC60L	-	3	-	110/220	-	RAG	-	LW18
[Model number]		[Layers]		[Voltage]		[Color]		[Bracket]
QTC60L		1-1 Layer		12-DC12V		● R-Red		· None-Standard
QTC60L-BZ		2-2 Layers		24-DC24V		● A-Amber		· Bracket
QTC60LF		3-3 Layers		110/220-AC110V-220V		● G-Green		-LB18 -LW18
QTC60LF-BZ		4-4 Layers				● B-Blue		-QZ18 -SZ18
QTC60L		5-5 Layers				○ W-White		-QL18 -SL18
QTC60L-BZ								
QTC60LF								
QTC60LF-BZ								



QTCA60L Series

Customization

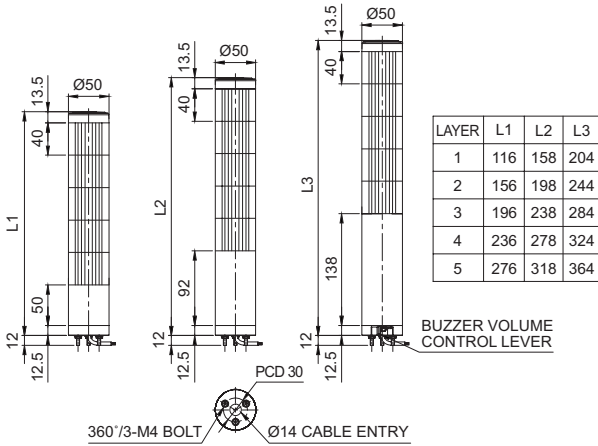
- 2 buzzer sound types : Both prolonged(beep, beep) and staccato(beep, beep, beep) buzzer output available
- DC24V voltage UL listed product
- M12 connector attached type
- Customized pole length available
- Top high-volume buzzer module mounted (lens limited to 4 layers or less)

QTC Series

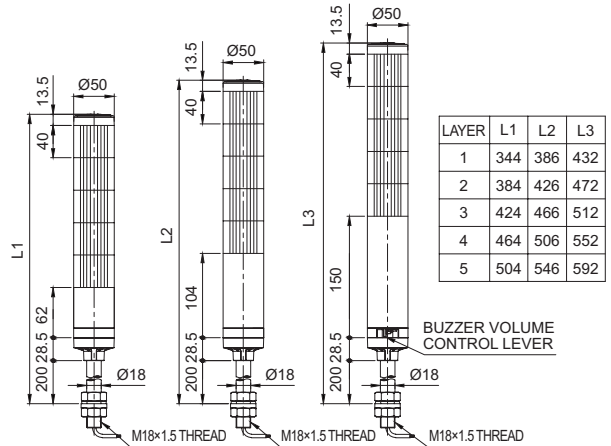
Technical Diagram

Units : mm

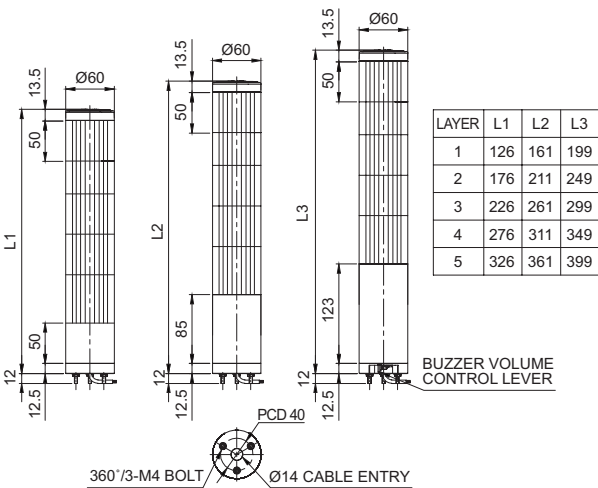
- QTC50ML-DC ·QTC50ML-AC ·QTC50MLF-AC
- QTC50MLF-DC ·QTC50MLF-BZ-DC ·QTC50ML-BZ-AC
- QTC50ML-BZ-DC ·QTC50MLF-BZ-AC



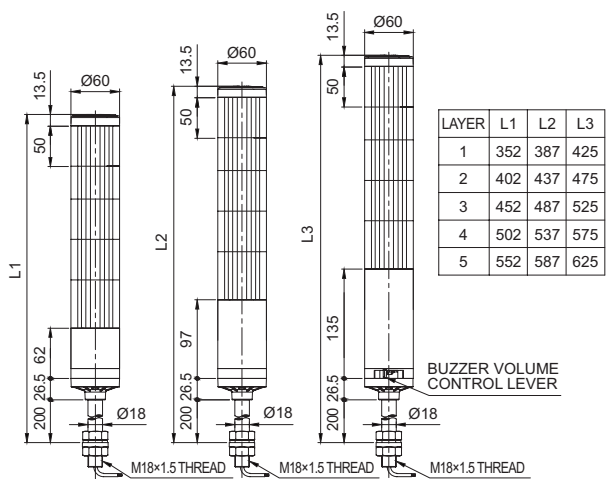
- QTC50L-DC ·QTC50L-AC ·QTC50LF-AC
- QTC50LF-DC ·QTC50LF-BZ-DC ·QTC50L-BZ-AC
- QTC50L-BZ-DC ·QTC50LF-BZ-AC



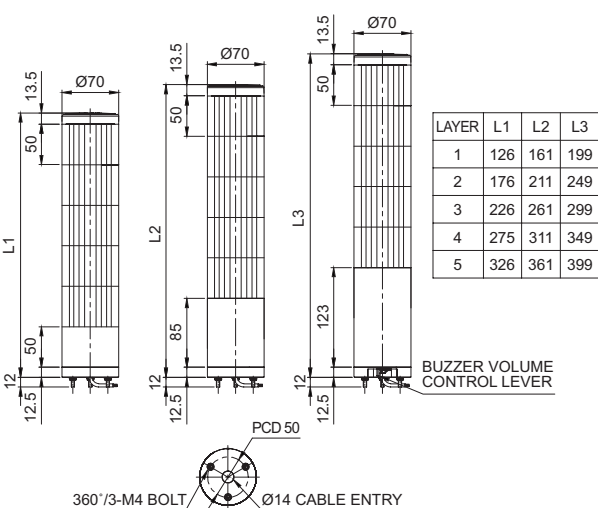
- QTC60ML-DC ·QTC60ML-AC ·QTC60MLF-AC
- QTC60MLF-DC ·QTC60MLF-BZ-DC ·QTC60ML-BZ-AC
- QTC60ML-BZ-DC ·QTC60MLF-BZ-AC



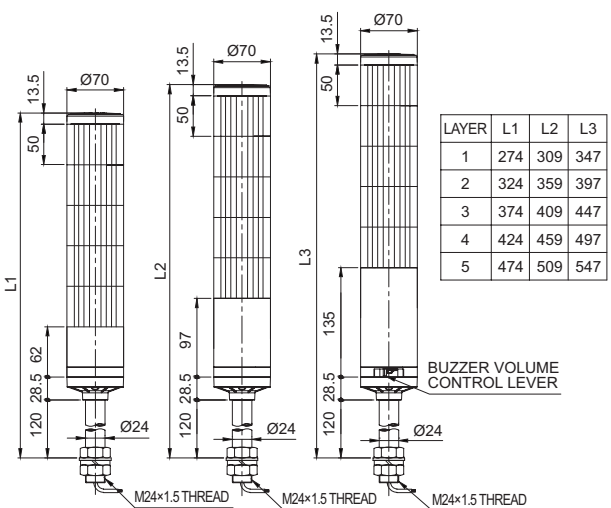
- QTC60L-DC ·QTC60L-AC ·QTC60LF-AC
- QTC60LF-DC ·QTC60LF-BZ-DC ·QTC60L-BZ-AC
- QTC60L-BZ-DC ·QTC60LF-BZ-AC



- QTC70ML-DC ·QTC70ML-AC ·QTC70MLF-BZ-AC
- QTC70MLF-DC ·QTC70MLF-AC ·QTC70ML-BZ-AC
- QTC70ML-BZ-DC ·QTC70MLF-BZ-AC



- QTC70L-DC ·QTC70L-AC ·QTC70LF-BZ-AC
- QTC70LF-DC ·QTC70LF-AC ·QTC70L-BZ-DC
- QTC70L-BZ-DC ·QTC70LF-BZ-DC



QTG / QTC / QTR Series

Wiring Instructions(using External Contact)

· In case of wiring with External Contacts, refer to the wiring diagrams below according to your product's type and voltage setting.

Wiring Instructions

DC Steady

QTG50ML
 QTG50L
 QTG60ML
 QTG60L
 QTG70ML
 QTG70L
 QTC50ML
 QTC50L
 QTC60ML
 QTC60L
 QTC70ML
 QTC70L
 QTR50ML
 QTR50L
 QTR60ML
 QTR60L
 QTR70ML
 QTR70L

- QTG(A) □□ (M)L - Buzzer same wiring instruction
- QTC(A) □□ (M)L - Buzzer same wiring instruction
- QTR(A) □□ (M)L - Buzzer same wiring instruction
- QTG □□ L
- QTC □□ L
- QTR □□ L

Lens diameter 50(50mm): QTR50(M)L
 60(60mm): QTR60(M)L
 70(70mm): QTR70(M)L

AC Steady

QTG50ML
 QTG50L
 QTG60ML
 QTG60L
 QTG70ML
 QTG70L
 QTC50ML
 QTC50L
 QTC60ML
 QTC60L
 QTC70ML
 QTC70L
 QTR50ML
 QTR50L
 QTR60ML
 QTR60L
 QTR70ML
 QTR70L

- QTG(A) □□ (M)L - Buzzer same wiring instruction
- QTC(A) □□ (M)L - Buzzer same wiring instruction
- QTR(A) □□ (M)L - Buzzer same wiring instruction
- QTG □□ L
- QTC □□ L
- QTR □□ L

Lens diameter 50(50mm): QTR50(M)L
 60(60mm): QTR60(M)L
 70(70mm): QTR70(M)L

DC Steady/ Flashing

QTG50MLF
 QTG50LF
 QTG60MLF
 QTG60LF
 QTG70MLF
 QTG70LF
 QTC50MLF
 QTC50LF
 QTC60MLF
 QTC60LF
 QTC70MLF
 QTC70LF
 QTR50MLF
 QTR50LF
 QTR60MLF
 QTR60LF
 QTR70MLF
 QTR70LF

- QTG(A) □□ (M)LF - Buzzer same wiring instruction
- QTC(A) □□ (M)LF - Buzzer same wiring instruction
- QTR(A) □□ (M)LF - Buzzer same wiring instruction
- QTG □□ LF
- QTC □□ LF
- QTR □□ LF

Lens diameter 50(50mm): QTR50(M)LF
 60(60mm): QTR60(M)LF
 70(70mm): QTR70(M)LF

AC Steady/ Flashing

QTG50MLF
 QTG50LF
 QTG60MLF
 QTG60LF
 QTG70MLF
 QTG70LF
 QTC50MLF
 QTC50LF
 QTC60MLF
 QTC60LF
 QTC70MLF
 QTC70LF
 QTR50MLF
 QTR50LF
 QTR60MLF
 QTR60LF
 QTR70MLF
 QTR70LF

- QTG(A) □□ (M)LF - Buzzer same wiring instruction
- QTC(A) □□ (M)LF - Buzzer same wiring instruction
- QTR(A) □□ (M)LF - Buzzer same wiring instruction
- QTG □□ LF
- QTC □□ LF
- QTR □□ LF

Lens diameter 50(50mm): QTR50(M)LF
 60(60mm): QTR60(M)LF
 70(70mm): QTR70(M)LF

- DC steady type cable specification: External power line/External signal line - UL1007 AWG22(0.3sq) 400mm
- AC steady, AC/DC steady/flashing type cable specification: External power line - UL1015 AWG18(0.75sq) x 2C 400mm
External signal line - UL1007 AWG22(0.3sq) 400mm

QTG / QTC / QTR Series

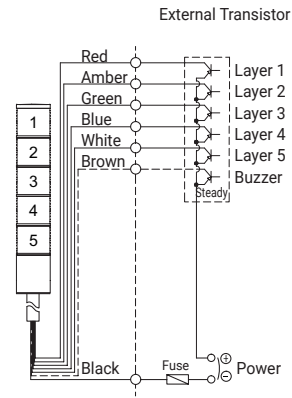
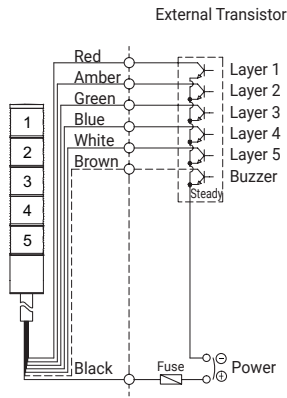
Wiring Instructions(using transistor)

· In case of wiring with transistors, please select the proper transistor type : either NPN or PNP based on the source voltage setting.

Wiring Instructions

DC Steady

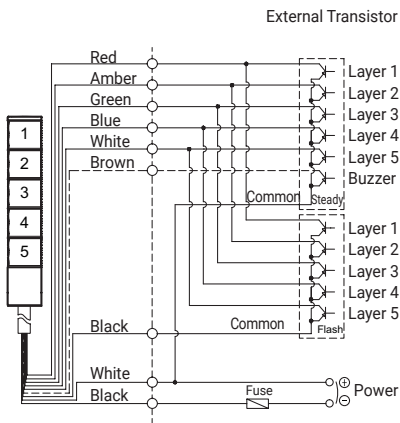
- QTG50ML
- QTG50L
- QTG60ML
- QTG60L
- QTG70ML
- QTG70L
- QTC50ML
- QTC50L
- QTC60ML
- QTC60L
- QTC70ML
- QTC70L
- QTR50ML
- QTR50L
- QTR60ML
- QTR60L
- QTR70ML
- QTR70L



- QTG(A) □□ (M)L - Buzzer same wiring instruction
- QTC(A) □□ (M)L - Buzzer same wiring instruction
- QTR(A) □□ (M)L - Buzzer same wiring instruction
- QTG □□ L
- QTC □□ L
- QTR □□ L
- └ Lens diameter 50(50mm): QTR50(M)L
- 60(60mm): QTR60(M)L
- 70(70mm): QTR70(M)L

DC Steady/ Flashing

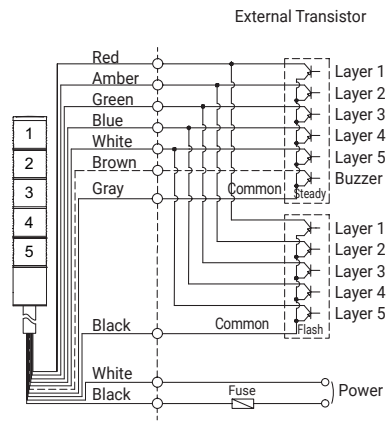
- QTG50MLF
- QTG50LF
- QTG60MLF
- QTG60LF
- QTG70MLF
- QTG70LF
- QTC50MLF
- QTC50LF
- QTC60MLF
- QTC60LF
- QTC70MLF
- QTC70LF
- QTR50MLF
- QTR50LF
- QTR60MLF
- QTR60LF
- QTR70MLF
- QTR70LF



- QTG(A) □□ (M)LF - Buzzer same wiring instruction
- QTC(A) □□ (M)LF - Buzzer same wiring instruction
- QTR(A) □□ (M)LF - Buzzer same wiring instruction
- QTG □□ LF
- QTC □□ LF
- QTR □□ LF
- └ Lens diameter 50(50mm): QTR50(M)LF
- 60(60mm): QTR60(M)LF
- 70(70mm): QTR70(M)LF

AC Steady/ Flashing

- QTG50MLF
- QTG50LF
- QTG60MLF
- QTG60LF
- QTG70MLF
- QTG70LF
- QTC50MLF
- QTC50LF
- QTC60MLF
- QTC60LF
- QTC70MLF
- QTC70LF
- QTR50MLF
- QTR50LF
- QTR60MLF
- QTR60LF
- QTR70MLF
- QTR70LF



- QTG(A) □□ (M)LF - Buzzer same wiring instruction
- QTC(A) □□ (M)LF - Buzzer same wiring instruction
- QTR(A) □□ (M)LF - Buzzer same wiring instruction
- QTG □□ LF
- QTC □□ LF
- QTR □□ LF
- └ Lens diameter 50(50mm): QTR50(M)LF
- 60(60mm): QTR60(M)LF
- 70(70mm): QTR70(M)LF

· DC steady type cable specification: External power line/External signal line - UL1007 AWG22(0.3sq) 400mm
 · AC steady, AC/DC steady/flashing type cable specification: External power line - UL1015 AWG18(0.75sq) x 2C 400mm
 External signal line - UL1007 AWG22(0.3sq) 400mm