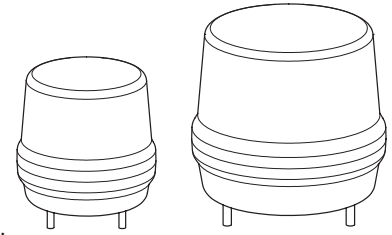


# Multiple Color LED Steady Signal Light

## QMCL



Thank you for purchasing Qlight's products. Please read this user manual carefully prior to installation and operation to ensure safe and correct use.

### ⚠ Precautions for Safety

Failure to follow the instructions below may cause a loss of life or serious physical injury.

1. During wiring or maintenance, please completely turn off the power of the product. (Failure to follow this may lead to an electric shock.)
2. Do not install the product in locations that subjects it to excessive dust or water other than the conditions designated by the IP protection ratings indicated for each product. (Failure to follow these instructions may cause a fire to the product, electric shock, physical injury, malfunction or damage to the product.)
3. Do not alter or repair this product. If maintenance or repair service is required, please contact your local Qlight contact point. (Failure to follow these instructions may lead to fire, electric shock, or product damage.)
4. Please apply the correct voltage to the product. (Failure to follow these instructions may lead to fire, electric shock, or product damage.)
5. When the product is applied to a condition that may impact lives or property, please make sure to have a double safety device. (Failure to follow this may cause damage to property, fire, electric shock and loss of life.)

### ⚠ Precautions for Correct Use

Failure to follow the proper instructions may cause damage to property, the product, or malfunction of the product that would void the warranty.

1. Please remove any objects that can interrupt ventilation around the product.
2. Please turn off the power of the product immediately if it fails to operate properly.
3. Carefully wire the product according to each product's specification.
4. Please be careful in preventing chemicals such as thinner, benzene, etc. in contact with the surface of the product.
5. Do not apply excessive force/impact to the product.
6. Failure to follow any of the instructions above may cause malfunction or damage to the product, fire, and electric shock.

### Ordering Specifications

QMCL80	BZ	24
[Model number]	[Buzzer]	[Voltage]
• QMCL60	• (None)	• 12-DC12V
• QMCL80	• No buzzer type	• 24-DC24V
• QMCL100	• BZ	
• QMCL125	• Built-in buzzer type	

### Product Specifications

Model number	Voltage	Current	Certificate	Weight	Color
QMCL60	DC12V	170mA		0.12kg	7Color
	DC24V	70mA			
QMCL80	DC12V	190mA		0.17kg	
	DC24V	135mA			
QMCL100	DC12V	225mA		0.24kg	
	DC24V	135mA			
QMCL125	DC12V	235mA		0.31kg	
	DC24V	190mA			

#### • Light source/buzzer current

Model number	Voltage	DC12V	DC24V
QMCL60	Light source current	170mA	70mA
	Buzzer current	45mA	65mA
QMCL80	Light source current	190mA	135mA
	Buzzer current	45mA	65mA
QMCL100	Light source current	225mA	135mA
	Buzzer current	45mA	65mA
QMCL125	Light source current	235mA	190mA
	Buzzer current	45mA	65mA

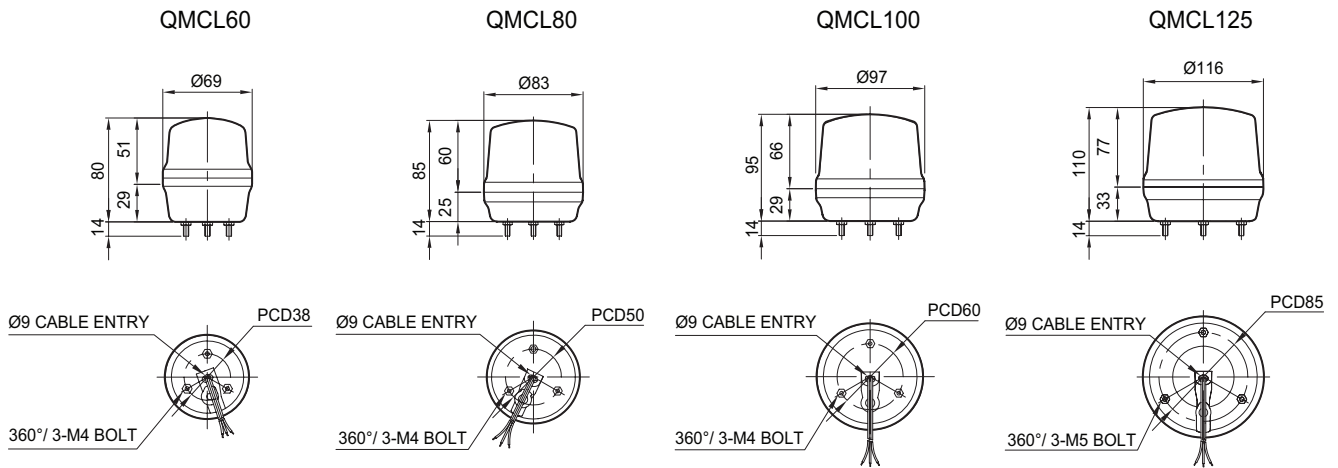
#### • Protection rating : IP65

#### • Ambient operating temperature : -30°C to +50°C



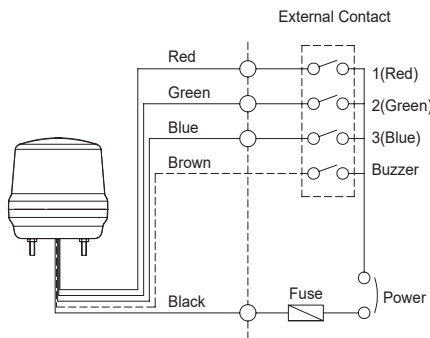
Please scan the QR code for more detailed product information.

[www.qlight.com](http://www.qlight.com)



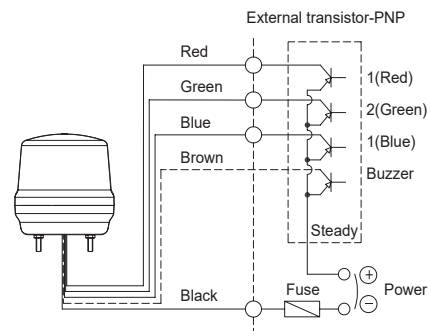
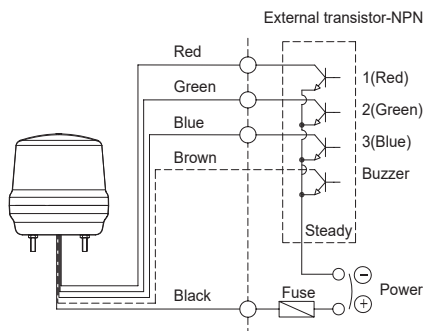
Wiring Instructions

- QMCL Series can be wired with either External Contact or transistor.
- When using a transistor, please choose between the NPN transistor or PNP transistor which best matches the voltage and product type, then connect them correctly according to the wiring diagram below.



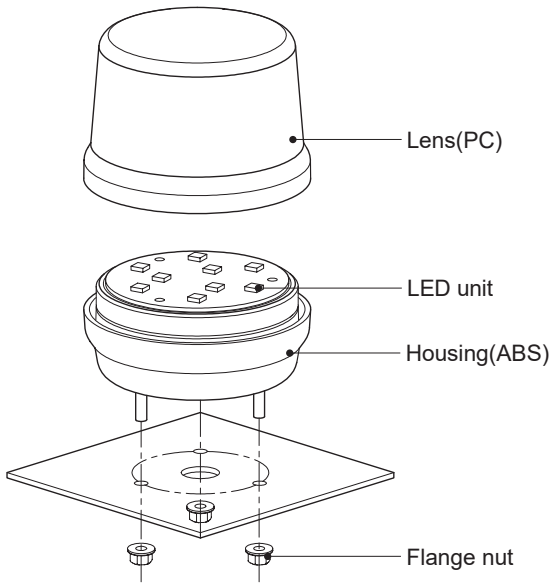
• Wiring Configuration for Signal Color

No.	Signal color	Wiring configuration
1	RED	1(RED)
2	GREEN	2(GREEN)
3	BLUE	3(BLUE)
4	AMBER	1(RED)+2(GREEN)
5	CYAN	2(GREEN)+3(BLUE)
6	PURPLE	1(RED)+3(BLUE)
7	WHITE	1(RED)+2(GREEN)+3(BLUE)



- External power line/ External signal line - UL1007 AWG22(0.3sq) 400mm
- This products can be wired regardless of polarity.
- For built-in buzzer type, once the unit is powered on, signal light and buzzer are working simultaneously.

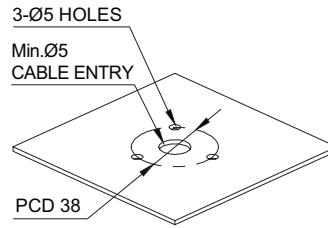
## Parts Definition and Installation



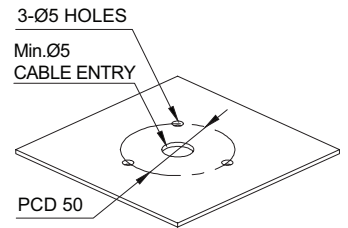
- First, remove the flange nuts from bolts and place the product through the mounting surface holes.
- Fasten the flange nuts on the opposite side of the mounting surface until the product is tightened securely.

## Mounting Hole Specifications

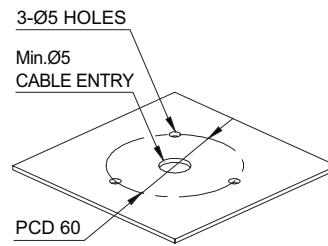
- Machine holes on the mounting surface referring to the diagram below.



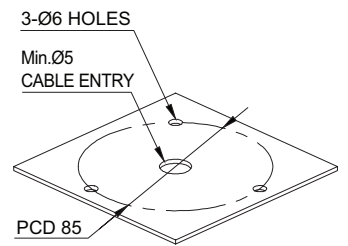
QMCL60



QMCL80



QMCL100



QMCL125

## Installation Environment and Protection Rating

- This product is designed for use with protection rating of IP65.
- If the product is installed in locations that subject it to excessive dust or water other than the designated IP protection rating indicated(IP65), it may cause malfunction or damage to the product.
- In case of outdoor applications, install the product in the upright position. Do not install the product horizontal or upside-down positions where water can potentially penetrate into the product and impact it's operation.
- For further information, please visit our website ([www.qlight.com](http://www.qlight.com)).

## Mounting Accessories (Sold Separately)

- Please refer to the dimensions below for installation of mounting brackets.

		Dimensions		
QMCL60	<p>Ø12 PCD30-40 360°/6-Ø5 HOLES 4-Ø4.5 HOLES Ø12 CABLE ENTRY</p>	TWS45	<p>PCD30-40 360°/3-Ø5 HOLES 4-Ø4.5 HOLES</p>	TWA45
QMCL80	<p>Ø12 PCD40-50 360°/6-Ø5 HOLES 4-Ø4.5 HOLES Ø12 CABLE ENTRY</p>	TWS80	<p>PCD40-50 360°/3-Ø5 HOLES 4-Ø4.5 HOLES</p>	TWA80
QMCL100 QMCL125	<p>Ø22 PCD85 PCD60-70 PCD50 360°/3-Ø5.5 HOLES 6-Ø5.5 HOLES 4-Ø5.5 HOLES Ø10 CABLE ENTRY</p>	SWP125	<p>Ø22 PCD85 PCD60-70 PCD50 360°/3-Ø5.5 HOLES 6-Ø5.5 HOLES 4-Ø5.5 HOLES Ø10 CABLE ENTRY</p>	SWM125

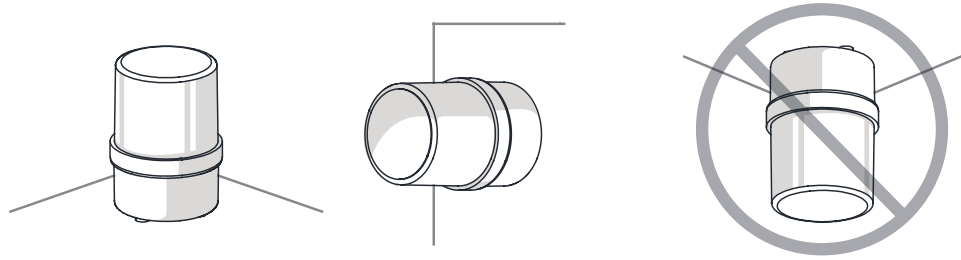
## Product installation direction

- Install the product in accordance with the manual. Otherwise rainwater or moisture may penetrate into the product.

### · BEACON/SIGNALING LIGHT

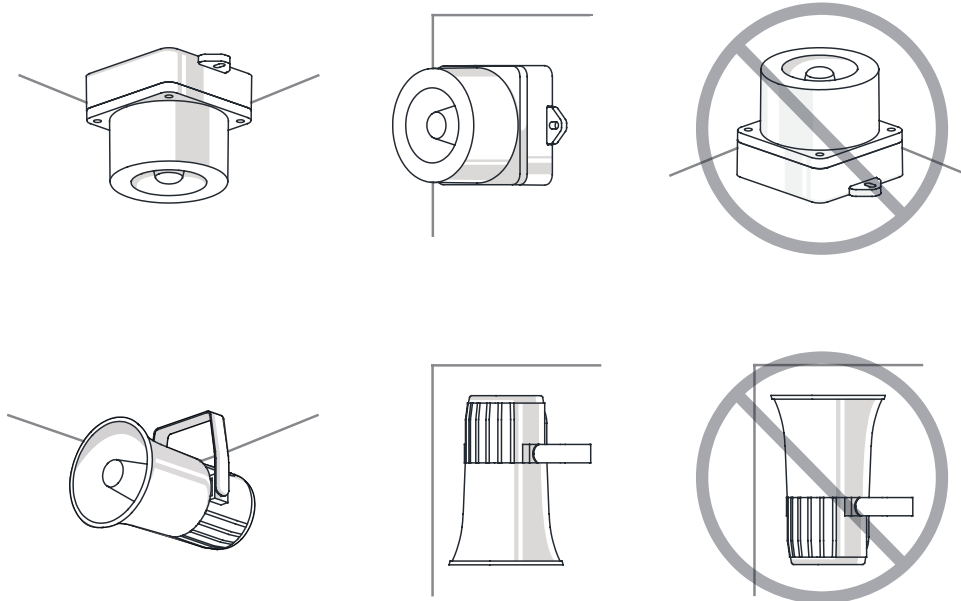
※ For products with a protection rating of less than IPX4, please install it vertically.

Power cord inlet part shall not be facing the sky.



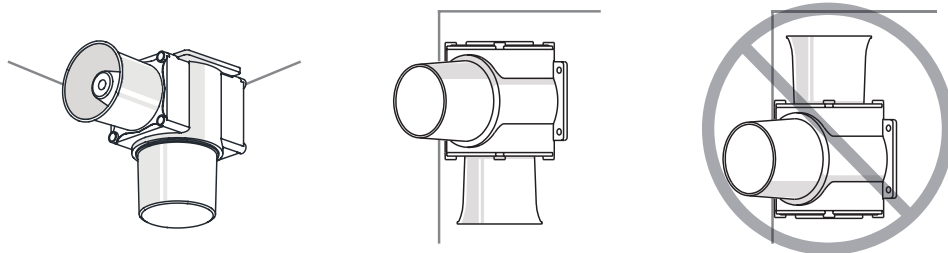
### · ELECTRONIC SOUNDER/SIGNAL HORN

Sounder part shall not be facing the sky.



### · HEAVY-DUTY & EXPLOSION PROOF SIGNALINGS

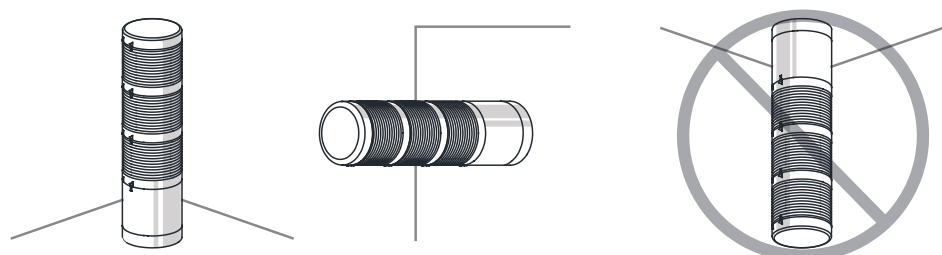
Sounder part shall not be facing the sky.



### · SIGNAL TOWER LIGHTS

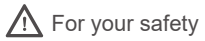
※ For products with a protection rating of less than IPX4, please install it vertically.

Power cord inlet part shall not be facing the sky.









For your safety

Specification and dimensions listed in this catalogue subject to change without notice for product quality improvement.  
The newest product information is available on our website.(www.qlight.com)  
Please read the instruction manual attached to the product carefully before installation and use.

*Qlight Co., Ltd. www.qlight.com | trade@qlight.com*

Head Office | Suite #1510, STX-V Tower, 128 Gasan digital 1-ro, Geumcheon-gu, Seoul, Korea

Tel. +82-2-2679-6152(Toll free. +82-80-328-2222) Fax. +82-2-2679-6154

Factory | 185-25, Mukbang-ro, Sangdong-myeon, Gimhae-si, Gyeongsangnamdo, Korea Tel. +82-55-328-1111(Toll free. +82-80-328-1111)

Qlight Overseas Sales Dept | 704 Nakdong-daero, Sasang-gu, Busan, Korea(Eomgung-Dong) Tel : +82-51-620-4100

Qlight Public Relations & Marketing Team Office | 704 Nakdong-daero, Sasang-gu, Busan, Korea(Eomgung-Dong) Tel. +82-51-245-0017

---

*SHANGHAI Qlight Electronic Co., Ltd. www.qlight.com www.qlightcn.com | qlightcn@qlight.com*

China Factory/ Shanghai Sales Office | #Room 333 Building B, #11, Lane 450, Zhenda Road, Baoshan District, Shanghai, China

Tel. +86-21-6651-7100 Fax. +86-21-6315-3929

China Factory Site 2 (Qidong) | #33, Haiyan Road, Qidong High-tech Industrial Development Zone, Qidong, Jiangsu Province, China

Tel +86-513-8384-9999 Fax +86-513-8384-9910

**Qlightec**

Innovation in Alarm & Signal

Product Operation Inquiry / Customer Support +82-51-620-4100

You can expect prompt service if you have exact information such as model name, symptom, telephone number and address.

※ ALL PRODUCT, PRODUCT SPECIFICATIONS AND DATA ARE SUBJECT TO CHANGE WITHOUT NOTICE TO IMPROVE RELIABILITY, FUNCTION OR DESIGN OR OTHERWISE.

Head office : Suite #1510, STX-V Tower, 128 Gasan digital 1-ro, Geumcheon-gu, Seoul, Korea (Postal Code : 08507)

Factory : 185-25, Mukbang-Ro, Sangdong-Myeon, Gimhae-Si, Gyeongsangnam-Do, Korea (Postal Code : 50805)

www.qlight.com

EN - QMCL60 - 2405A