

# Q125L Series



Q125L



Q125LW

## PRODUCT SPECIFICATION

Q125L | Q125LW | Q125LP

**Materials** Lens-PC, housing-ABS, mounting bracket-PC

**Ambient operating temperature** -30°C to +50°C

**Volume** Max.80dB at 1m







**Protection rating** IP65

**Flashing rate** 60-80/min/60-80/min

**Compliant with RoHS directive**

- Small-sized signal light of Ø125mm with attractive appearance
- Shock and vibration-resistant, maintenance reduced with long-lasting energy-efficient LED light bulb
- Selectable mounts available depending on your application environment (direct mount, wall mount, pole mount)
- Features high visibility with special diffusive lens and direct LED light distribution system
- Built-in switch for selection between steady and flashing light mode
- Can select between standard and built-in buzzer type depending on installation environment

### Q125L / Q125LW / Q125LP LED Steady/Flashing Signal Light

Model number	Voltage	Current	Certificates	Weight	Color
Q125L Q125LW Q125LP	DC12V-24V	Max.270mA	 	Q125L-0.36kg Q125LW-0.40kg Q125LP-0.53kg (Including buzzer and standard pipe)	 R-Red  A-Amber  G-Green  B-Blue
	AC110V-220V	Max.80mA			

- Various mounting options are available
- ※ DC type model has a free-voltage range of 10V-30V.
- ※ AC type model has a free-voltage range of 100V-240V.
- ※ UL Listed: DC24V








### Wiring Instructions

- External Power line - UL1015 AWG18(0.75sq) x 2C 400mm
- This product can be wired regardless of polarity.

### Customization

- Customized pole length available

### Mounting Bracket

Standard	LB24	LW24	QZ24	SZ24	QL24	SL24
						
Steel	Steel	ABS	ABS	Al	ABS	Al

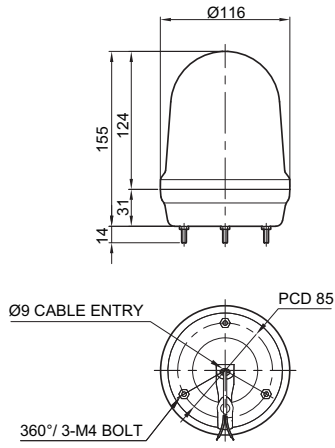
Please refer to [Tower Light Mounting Bracket] on this catalogue for detailed dimensions.



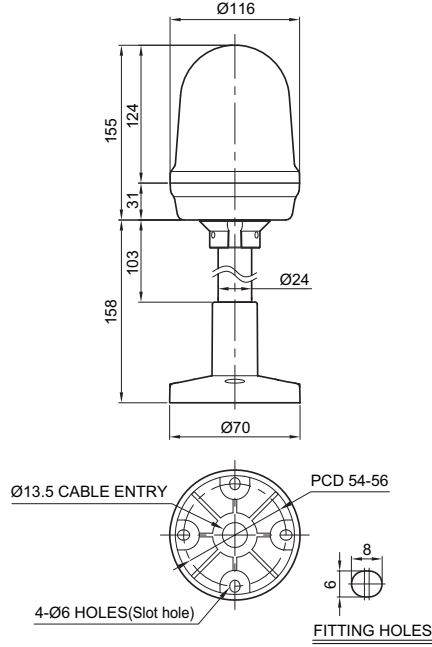
## Technical Diagram

Units: mm

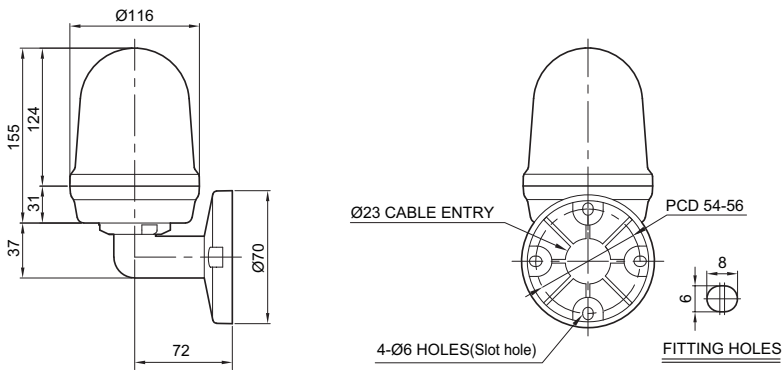
·Q125L



·Q125LP



·Q125LW



**Q125LP**  
(SZ24 Bracket)

## Ordering Specification

<b>Q125LP</b>	-	<b>BZ</b>	-	<b>12/24</b>	-	<b>R</b>	-	<b>SZ24</b>
[Model number]		[Buzzer option]		[Voltage]		[Color]		[mount bracket]
Q125L		(None)		12/24-DC12V-24V		● R-Red		(None) - Standard Bracket
Q125LW		- No buzzer		110/220-AC110V220V		● A-Amber		-LB24-LW24
Q125LP		BZ				● G-Green		-QZ24-SZ24
		- Built-in buzzer				● B-Blue		-QL24-SL24