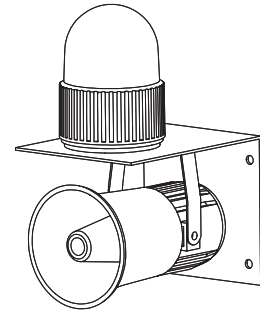


Warning Lights & Electric Horns Combinations

SC1



Thank you for purchasing Qlight's products. Please read this user manual carefully prior to installation and operation to ensure safe and correct use.

⚠️ Precautions for Safety

Failure to follow the instructions below may cause a loss of life or serious physical injury.

1. During wiring or maintenance, please completely turn off the Power of the product. (Failure to follow this may lead to an electric shock.)
2. Do not install the product in locations that subjects it to excessive dust or water other than the conditions designated by the IP protection ratings indicated for each product. (Failure to follow these instructions may cause a fire to the product, electric shock, physical injury, malfunction or damage to the product.)
3. Do not alter or repair this product. If maintenance or repair service is required, please contact your local Qlight contact point. (Failure to follow these instructions may lead to fire, electric shock, or product damage.)
4. Please apply the correct voltage to the product. (Failure to follow these instructions may lead to fire, electric shock, or product damage.)
5. When the product is applied to a condition that may impact lives or property, please make sure to have a double safety device. (Failure to follow this may cause damage to property, fire, electric shock and loss of life.)

⚠️ Precautions for Correct Use

Failure to follow the proper instructions may cause damage to property, the product, or malfunction of the product that would void the warranty.

1. Please remove any objects that can interrupt ventilation around the product.
2. Please turn off the Power of the product immediately if it fails to operate properly.
3. Carefully wire the product according to each product's specification.
4. Please be careful in preventing chemicals such as thinner, benzene, etc. in contact with the surface of the product.
5. Do not apply excessive force/impact to the product.

Ordering Specifications

SC1	- (S100R	-	R	+	SEN15	-	WS) -	220
[Model number]		[Light type]		[Color]		[Horn type]		[Sound]		[Voltage]
• SC1(S100R+SRN)		• S100R • S100U • S100L • S100LR • S100S		R-Red A-Amber G-Green B-Blue		• Select 1 model among SN, SRN and SEN15/25		• WS-Warning sounds • WP-Special warning sounds • WM-Melodies • WA-Alarms • WV-Customizable voices		• 12 - DC12V • 24 - DC24V • 110 - AC110V • 220 - AC220V



Please scan the QR code for more detailed product information.

www.qlight.com

Product Specifications

Warning Lights S100R

Model number	Voltage	Current	Bulb specifications			Certificate	Weight	Color
			Volts/Watts	Configuration	Part#			
S100R	DC12V	965mA	12V10W	T16x35 15S	9	CE	0.34kg	R-Red A-Amber G-Green B-Blue
	DC24V	565mA	24V10W		10			
	AC110V	130mA	12V10W		9			
	AC220V	65mA	12V10W		9			

• Protection rating : IP44

• Ambient operating temperature : -20°C to + 50°C

※ Ambient temperature, volume and protection level may change depending on the combination.

Electric Horns SRN

Model number	Voltage	Current	Sound pattern	Certificate	Weight
SRN	DC12V-24V	Max.410mA	·WS-5 Warning sounds: Max.108dB ·WM-5 Melodies: Max.108dB ·WA-5 Alarms: Max.105dB ·WV-5 Customizable sounds: 95-102dB	CE	0.72Kg
	AC110V	85mA			0.98Kg
	AC220V	60mA			0.98Kg

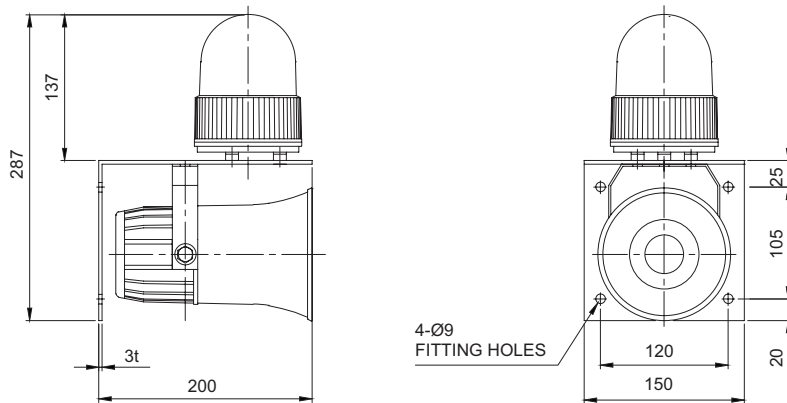
※ CE compliant : DC12V-24V

※ Max.built-in volume feature is based on WS-Ch3 / WM-Ch4 / WA-Ch4.

Dimensions

(Units : mm)

SC1

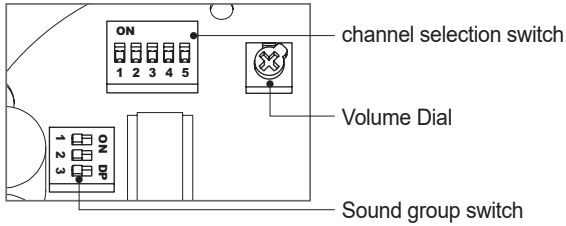


Wiring Instructions



- External Power line - UL1007 AWG22(0.3sq) 400mm
- External signal line - UL1015 AWG18(0.75sq) x 2C 400mm

Sound Selection - Using Internal Switch (Standard Type)



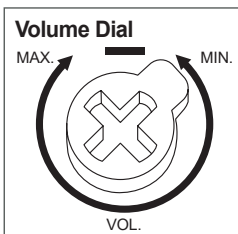
- The standard type product has a tone setting switch and volume control built-in inside the product.
- Select the desired channel using the channel selection switch
- For tone group settings, refer to the website [Customer Support] - [Technical Data] - [Types of Tone and Combination of General Tone products].

■ Sound Type by Group

Category	Sound pattern	Channel	Sound Tone	volume (Max.)
WS	5 Warning sounds	Ch1	Fire.A-ANG	Max. 108dB
		Ch2	Emergency WA-U	
		Ch3	Ambulance PI-PO	
		Ch4	Machinery Fault	
		Ch5	High Expansion	
WM	5 Melodies	Ch1	Sweet Home	Max. 108dB
		Ch2	For Elise	
		Ch3	Cuckoo's Waltz	
		Ch4	Piano Sonata	
		Ch5	Turkish March	
WA	5 Alarms	Ch1	Beep Intermittent	Max. 105dB
		Ch2	Door Chime	
		Ch3	Phone Ring	
		Ch4	PI.PI.PI Short	
		Ch5	Tripping Beat	
WV	5 Customizable sounds	Ch1-Ch5	Available upon request (customized voice type)	95-102dB

※ In case of customized WV 5 tone type, there may be difference of volume depending on user's audio file type.

Volume Adjustment



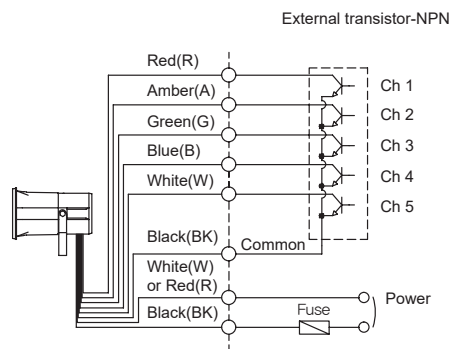
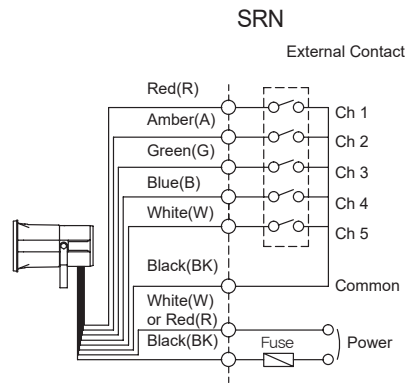
- The volume output of this product is adjustable.
- Turn the volume dial clockwise to increase the volume, and turn counter clockwise to decrease the volume.
- There will be no sound when the dial is put at MIN.

Precautions for installation

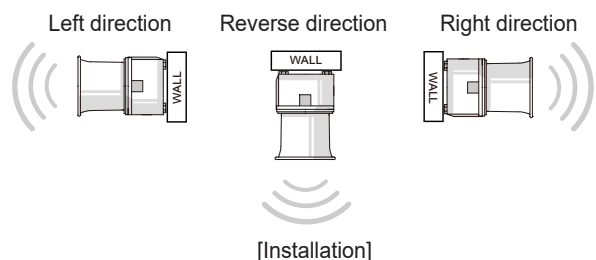
- In case of outdoor applications, install the product in the upright position. Do not install the product horizontal or upside-down positions where water can potentially penetrate into the product and impact its operation.

Wiring Instructions for LC Type

- LC type product with exposed sound selection signal line is available upon request. Please refer to the diagram below for wiring.

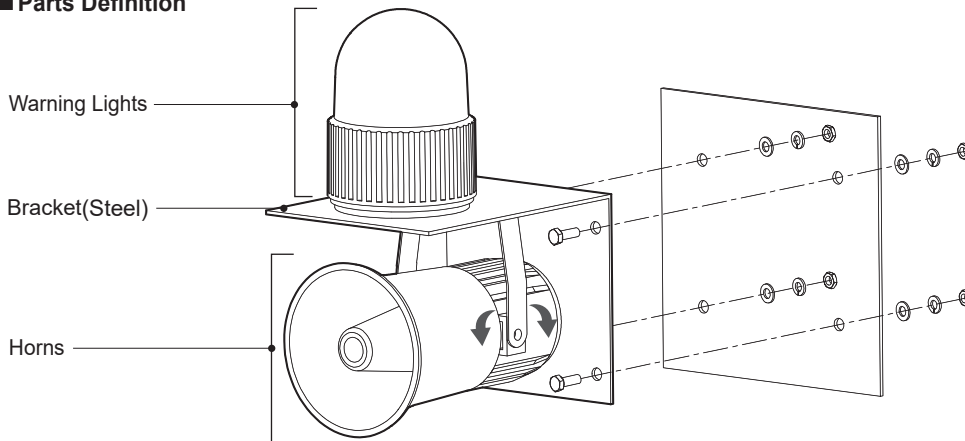


- External Power line - UL1007 AWG22(0.3sq) 400mm
- External signal line - UL1015 AWG18(0.75sq) x 2C 400mm
- This product can be wired regardless of polarity.



Parts Definition/ Installation/ Adjusting the Angle of the Horn housing

■ Parts Definition



■ Installation

- First, machine taps or holes on the mounting surface.
- The mounting hole of this product is 9mm in diameter(hole).
- When machining taps, fasten the bolt through the mounting hole of the product.
- When machining holes, insert the bolt through the hole of the product, and tighten the nut from the opposite side of the mounting surface
- When assembling using bolt and nut, please make sure to use flat washer and spring washer.

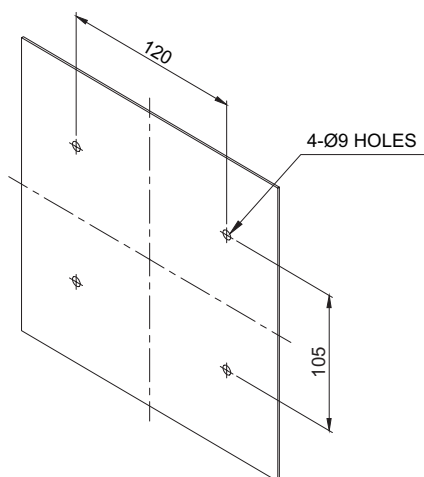
■ Adjusting the Angle of the Horn housing

- When adjusting the phase and lower angle of the mixed housing (signalling angle) after product cancellation Loosen the bracket fixing bolts on the side of the product slightly to adjust the desired angle.

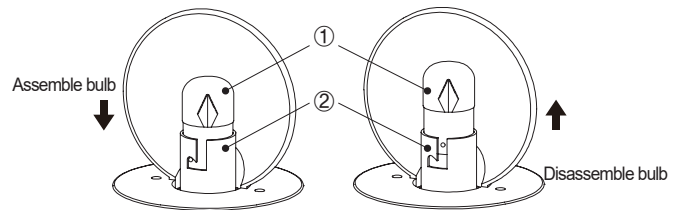
Mounting Hole Specifications/ Bulb Replacement Instructions

■ Mounting Hole Specifications

- Machine holes on the mounting surface referring to the diagram below.



■ Bulb Replacement Instructions



- Please wait at least 1 minute after turning off the Power before replacing the bulb.
- Lightly press the light bulb(①) and turn it counterclockwise, then the light bulb is removed from the socket(②).
- In order to put the bulb in to the unit, please place the bulb(①) in the socket(②) and screw it clockwise while lightly pushing down the bulb.

Installation Environment and Protection Rating

- This product is designed for use with protection rating of IP44(IP rating may be varied depending on configuration of the product).
- If the product is installed in locations that subject it to excessive dust or water other than the designated IP protection rating indicated(IP44), it may cause malfunction or damage to the product.
- For further information, please visit our website (www.qlight.com).

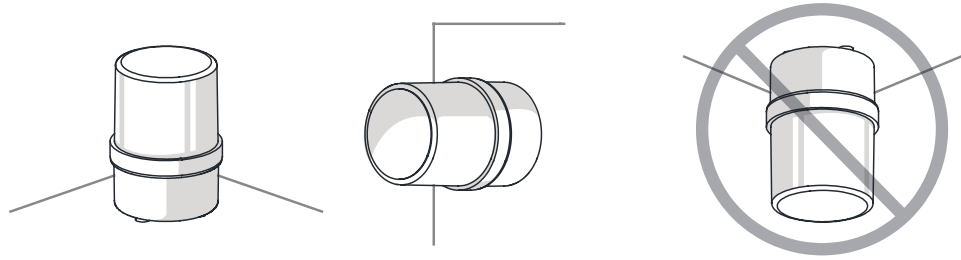
Product installation direction

- Install the product in accordance with the manual. Otherwise rainwater or moisture may penetrate into the product.

· BEACON/SIGNALING LIGHT

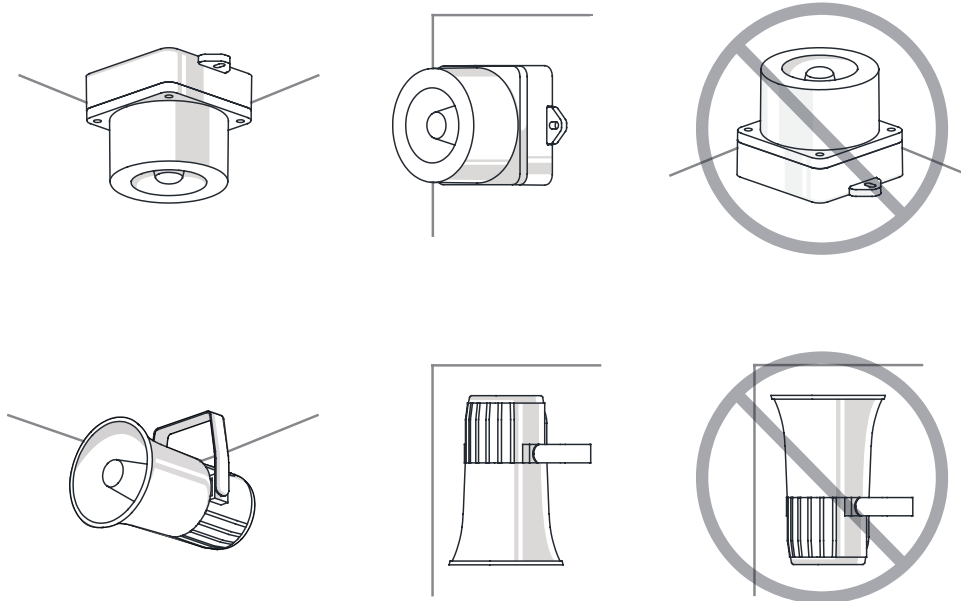
※ For products with a protection rating of less than IPX4, please install it vertically.

Power cord inlet part shall not be facing the sky.



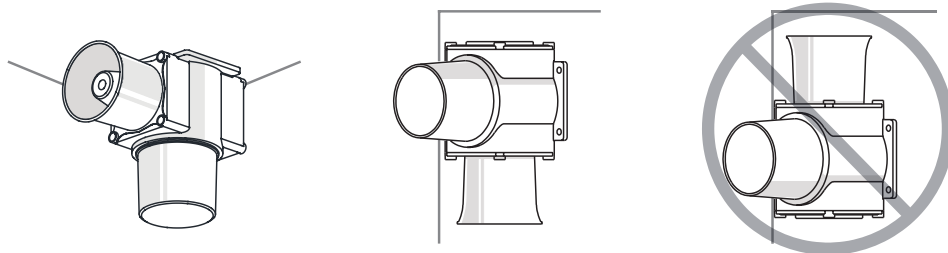
· ELECTRONIC SOUNDER/SIGNAL HORN

Sounder part shall not be facing the sky.



· HEAVY-DUTY & EXPLOSION PROOF SIGNALINGS

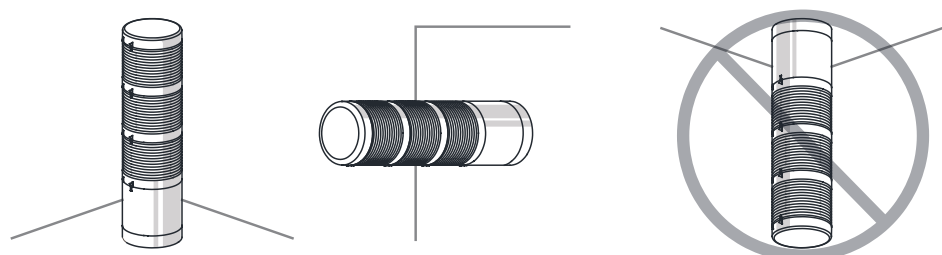
Sounder part shall not be facing the sky.

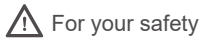


· SIGNAL TOWER LIGHTS

※ For products with a protection rating of less than IPX4, please install it vertically.

Power cord inlet part shall not be facing the sky.





For your safety

Specification and dimensions listed in this catalogue subject to change without notice for product quality improvement.
The newest product information is available on our website.(www.qlight.com)
Please read the instruction manual attached to the product carefully before installation and use.

Qlight Co., Ltd. www.qlight.com | trade@qlight.com

Head Office | Suite #1510, STX-V Tower, 128 Gasan digital 1-ro, Geumcheon-gu, Seoul, Korea

Tel. +82-2-2679-6152(Toll free. +82-80-328-2222) Fax. +82-2-2679-6154

Factory(Gimhae Production Headquarters) | 185-25, Mukbang-ro, Sangdong-myeon, Gimhae-si, Gyeongsangnamdo, Korea

Tel. +82-55-328-1111(Toll free. +82-80-328-1111)

Qlight Overseas Sales Dept | 704 Nakdong-daero, Sasang-gu, Busan, Korea(Eomgung-Dong) Tel : +82-51-620-4100

Qlight Public Relations & Marketing Team Office | 704 Nakdong-daero, Sasang-gu, Busan, Korea(Eomgung-Dong) Tel. +82-51-245-0017

SHANGHAI Qlight Electronic Co., Ltd. www.qlight.com www.qlightcn.com | qlightcn@qlight.com

China Factory/ Shanghai Sales Office | #Room 333 Building B, #11, Lane 450, Zhenda Road, Baoshan District, Shanghai, China

Tel. +86-21-6651-7100 Fax. +86-21-6315-3929

China Factory Site 2 (Qidong) | #33, Haiyan Road, Qidong High-tech Industrial Development Zone, Qidong, Jiangsu Province, China

Tel +86-513-8384-9999 Fax +86-513-8384-9910

Qlightec

Innovation in Alarm & Signal

Product Operation Inquiry / Customer Support +82-51-620-4100

You can expect prompt service if you have exact information such as model name, symptom, telephone number and address.

※ ALL PRODUCT, PRODUCT SPECIFICATIONS AND DATA ARE SUBJECT TO CHANGE WITHOUT NOTICE TO IMPROVE RELIABILITY, FUNCTION OR DESIGN OR OTHERWISE.

Head office : Suite #1510, STX-V Tower, 128 Gasan digital 1-ro, Geumcheon-gu, Seoul, Korea (Postal Code : 08507)

Factory : 185-25, Mukbang-Ro, Sangdong-Myeon, Gimhae-Si, Gyeongsangnam-Do, Korea (Postal Code : 50805)

www.qlight.com

EN - SC1 - 2503A