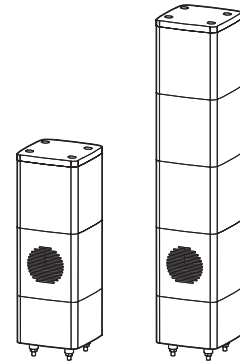


# Stackable Cube Tower Lights with Alarm Sounder

## SJD/ SJDL



Thank you for purchasing Qlight's products. Please read this user manual carefully prior to installation and operation to ensure safe and correct use.

### ⚠️ Precautions for Safety

Failure to follow the instructions below may cause a loss of life or serious physical injury.

1. During wiring or maintenance, please completely turn off the power of the product. (Failure to follow this may lead to an electric shock.)
2. Do not install the product in locations that subjects it to excessive dust or water other than the conditions designated by the IP protection ratings indicated for each product. (Failure to follow these instructions may cause a fire to the product, electric shock, physical injury, malfunction or damage to the product.)
3. Do not alter or repair this product. If maintenance or repair service is required, please contact your local Qlight contact point. (Failure to follow these instructions may lead to fire, electric shock, or product damage.)
4. Please apply the correct voltage to the product. (Failure to follow these instructions may lead to fire, electric shock, or product damage.)
5. When the product is applied to a condition that may impact lives or property, please make sure to have a double safety device. (Failure to follow this may cause damage to property, fire, electric shock and loss of life.)

### ⚠️ Precautions for Correct Use

Failure to follow the proper instructions may cause damage to property, the product, or malfunction of the product that would void the warranty.

1. Please remove any objects that can interrupt ventilation around the product.
2. Please turn off the power of the product immediately if it fails to operate properly.
3. Carefully wire the product according to each product's specification.
4. Please be careful in preventing chemicals such as thinner, benzene, etc. in contact with the surface of the product.
5. Do not apply excessive force/impact to the product.
6. Failure to follow any of the instructions above may cause malfunction or damage to the product, fire, and electric shock.

### Ordering Specifications

SJD	WA	3	220	RAG
[Model number]	[Sound]	[Layer]	[Voltage]	[Color]
<ul style="list-style-type: none"> <li>• SJD</li> <li>• SJDL</li> </ul>	<ul style="list-style-type: none"> <li>• WS - Warning sounds</li> <li>• WM - Melodies</li> <li>• WA - Alarms</li> <li>• WV - Customizable sounds</li> </ul>	<ul style="list-style-type: none"> <li>• 1-1Layer</li> <li>• 2-2Layers</li> <li>• 3-3Layers</li> </ul>	<ul style="list-style-type: none"> <li>• 12 -DC12V</li> <li>• 24 -DC24V</li> <li>• 12/24 -DC12V-24V(SJDL only)</li> <li>• 110 -AC110V</li> <li>• 220 -AC220V</li> </ul>	<ul style="list-style-type: none"> <li>R-Red</li> <li>A-Amber</li> <li>G-Green</li> </ul>



Please scan the QR code for more detailed product information

[www.qlight.com](http://www.qlight.com)

## Product Specifications

### • SJD

Model number	layer	Voltage	Bulb specifications			Sound pattern and volume	Certificate	Weight	Color						
			Volts/Watts	Configuration	Part#										
SJD	1	DC12V	12V5W	T16x35 15S	5	• WS - 5 Warning sounds : Max.90dB • WM - 5 Melodies : Max.90dB • WA - 5 Alarms : Max.85dB • WV - 5 Customizable sounds : 79-85dB	-	1.41kg	R - Red						
		DC24V	24V5W		6			1.79kg							
		AC110V	12V5W		5			1.65kg	R - Red						
		AC220V	12V5W		5				G - Green						
	2	DC12V	12V5W		5			• WS - 5 Warning sounds : Max.90dB • WM - 5 Melodies : Max.90dB • WA - 5 Alarms : Max.85dB • WV - 5 Customizable sounds : 79-85dB	-	-	1.65kg	R - Red			
		DC24V	24V5W		6						2.04kg	G - Green			
		AC110V	12V5W		5						1.90kg	R - Red			
		AC220V	12V5W		5							A - Amber			
	3	DC12V	12V5W		5						• WS - 5 Warning sounds : Max.90dB • WM - 5 Melodies : Max.90dB • WA - 5 Alarms : Max.85dB • WV - 5 Customizable sounds : 79-85dB	-	-	1.90kg	R - Red
		DC24V	24V5W		6									2.29kg	A - Amber
		AC110V	12V5W		5									2.29kg	G - Green
		AC220V	12V5W		5										G - Green

### • SJDL

Model number	layer	Voltage	Sound pattern and volume	Certificate	Weight	Color				
SJDL	1	DC12V-24V	• WS - 5 Warning sounds : Max.90dB • WM - 5 Melodies : Max.90dB • WA - 5 Alarms : Max.85dB • WV - 5 Customizable sounds : 79-85dB	-	1.63kg	R - Red				
		AC110V								
		AC220V								
	2	DC12V-24V			• WS - 5 Warning sounds : Max.90dB • WM - 5 Melodies : Max.90dB • WA - 5 Alarms : Max.85dB • WV - 5 Customizable sounds : 79-85dB	-	1.80kg	R - Red		
		AC110V						G - Green		
		AC220V								
	3	DC12V-24V					• WS - 5 Warning sounds : Max.90dB • WM - 5 Melodies : Max.90dB • WA - 5 Alarms : Max.85dB • WV - 5 Customizable sounds : 79-85dB	-	2.04kg	R - Red
		AC110V								A - Amber
		AC220V								G - Green

### • Protection rating : IP23

### • Ambient operating temperature : -20°C to +50°C

※ Max. built-in volume feature is based on WS-Ch1 / WM-Ch4 / WA-Ch5.

※ In case of customized WV 5 tone type, there may be difference of volume depending on user's audio file type.

※ Please refer to page 3 for detailed information about selectable sound patterns.

### ■ Light source/signal sound current(based on 1 layer)

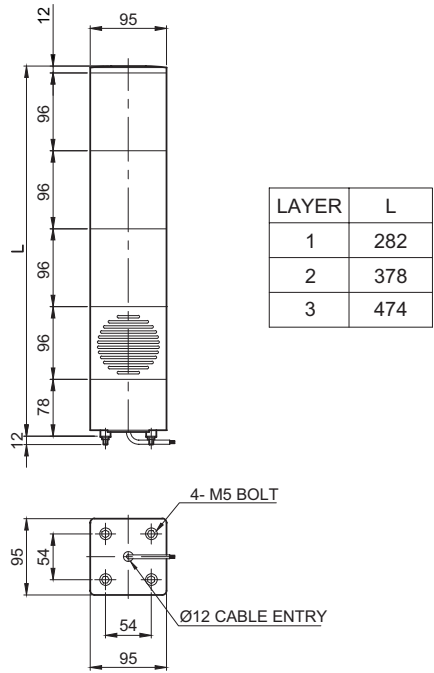
#### • SJD

Voltage	DC12V	DC24V	AC110V	AC220V
Light source current(1 layer)	490mA	350mA	100mA	50mA
Signal sound current	210mA	130mA	75mA	50mA

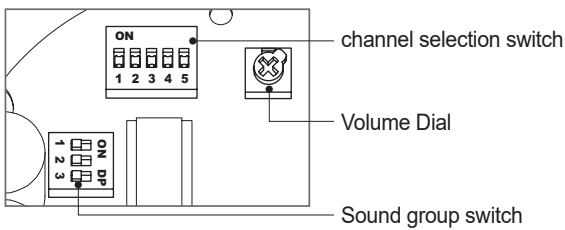
#### • SJDL

Voltage	DC12V-24V	AC110V	AC220V
Light source current(1 layer)	Max.185mA	80mA	40mA
Signal sound current	Max.210mA	75mA	50mA

SJD/ SJDJL



Sound Selection



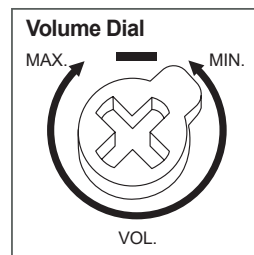
- The standard type product has a tone setting switch and volume control built-in inside the product.
- For tone group settings, refer to the website [Customer Support] - [Technical Data] - [Types of Tone and Combination of General Tone products].

■ Sound Type by Group

Category	Sound pattern	Channel	Sound tone	Volume (Max.)
WS	5 Warning sounds	Ch1	Fire.A-ANG	Max. 90dB
		Ch2	Emergency WA-U	
		Ch3	Ambulance PI-PO	
		Ch4	Machinery Fault	
		Ch5	High Expansion	
WM	5 Melodies	Ch1	Sweet Home	Max. 90dB
		Ch2	For Elise	
		Ch3	Cuckoo's Waltz	
		Ch4	Piano Sonata	
		Ch5	Turkish March	
WA	5 Alarms	Ch1	Beep Intermittent	Max. 85dB
		Ch2	Door Chime	
		Ch3	Phone Ring	
		Ch4	PI.PI.PI Short	
		Ch5	Tripping Beat	
WV	5 Customizable sounds	Ch1- Ch5	Available upon request (customized voice type)	79-85dB

※ In case of customized WV 5 tone type, there may be difference of volume depending on user's audio file type.

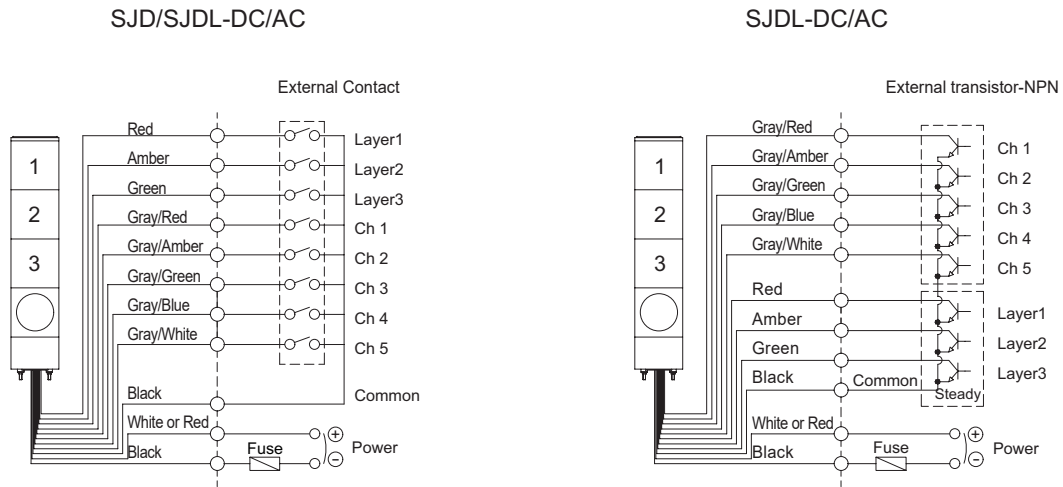
Volume Adjustment



- The volume output of this product is adjustable.
- Turn the volume dial clockwise to increase the volume, and turn counter clockwise to decrease the volume.
- There will be no sound when the dial is put at MIN.

## Wiring Instructions

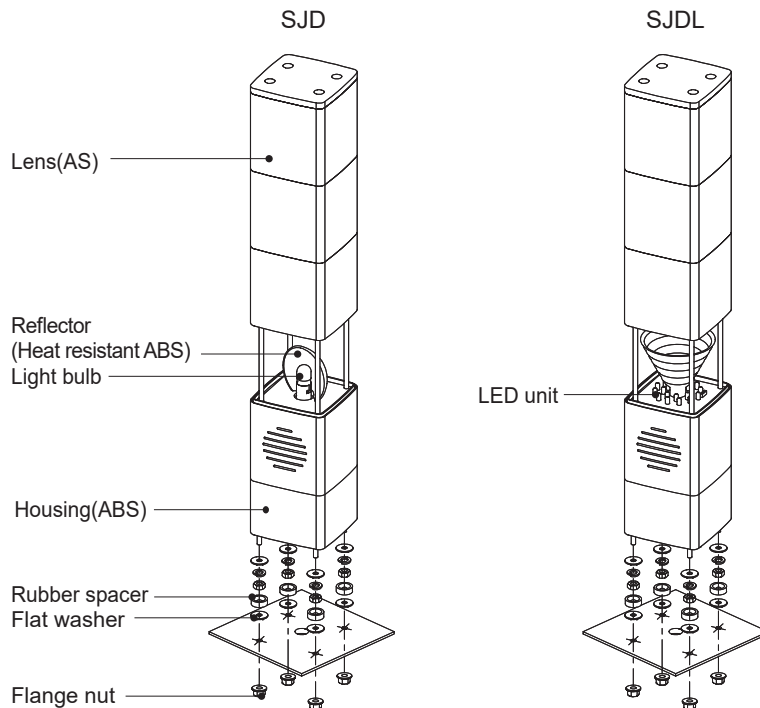
- SJD series type can be wiring with External Contact and transistor.
- Wiring to transistor, use the NPN transistor. Please wire properly based on technical diagram.
- Bulb type SJD can not be wiring with transistor. Please use External Contact.



- External power line - UL1015 AWG18(0.75sq) × 2C 400mm
- External signal line - UL1007 AWG22(0.3sq) 400mm

## Parts Definition/ Installation

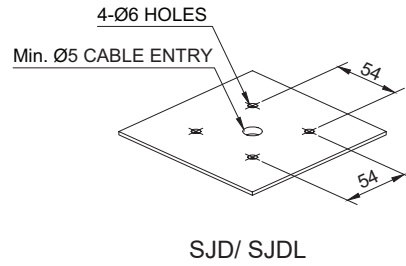
### ■ Parts Definition/ Installation



- First, remove the flange nuts from bolts and place the product through the mounting surface holes.
- Fasten the flange nuts on the opposite side of the mounting surface until the product is tightened securely.

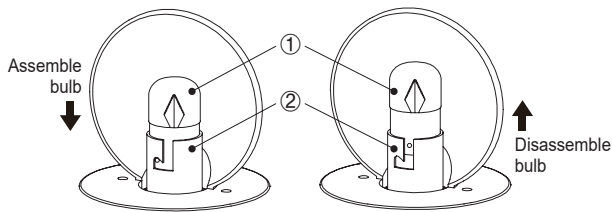
## Mounting Hole Specifications

- Machine holes on the mounting surface referring to the diagram below.



## Bulb Replacement Instructions

### ■ Bulb Replacement Instructions(SJD only)



- Please wait at least 1 minute after turning off the power before replacing the bulb.
- In order to disassemble the bulb, please push down the bulb(①) lightly and screw it counterclockwise.
- In order to put the bulb in to the unit, please place the bulb(①) in the socket(②) and screw it clockwise while lightly pushing down the bulb.

## Installation Environment and Protection Rating

- This product is designed for use with protection rating of IP23.
- If the product is installed in locations that subject it to excessive dust or water other than the designated IP protection rating indicated(IP23), it may cause malfunction or damage to the product.
- In case of outdoor applications, install the product in the upright position. Do not install the product horizontal or upside-down positions where water can potentially penetrate into the product and impact it's operation.
- For further information, please visit our website ([www.qlight.com](http://www.qlight.com)).

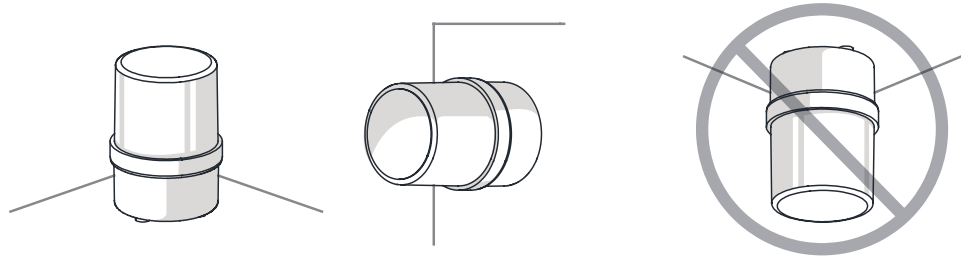
## Product installation direction

- Install the product in accordance with the manual. Otherwise rainwater or moisture may penetrate into the product.

### · BEACON/SIGNALING LIGHT

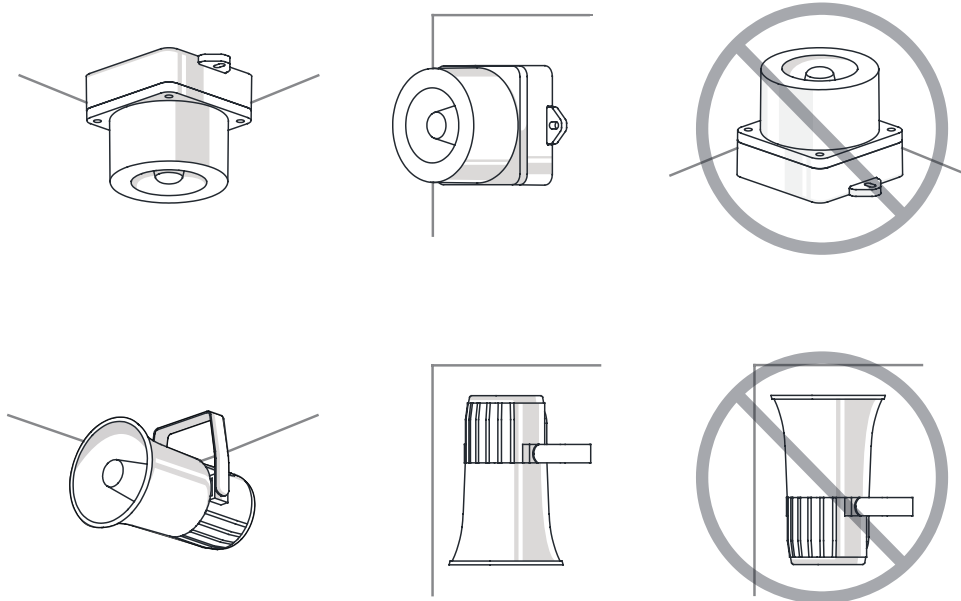
※ For products with a protection rating of less than IPX4, please install it vertically.

Power cord inlet part shall not be facing the sky.



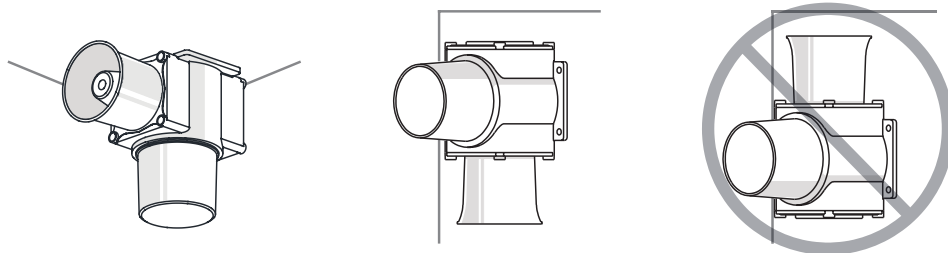
### · ELECTRONIC SOUNDER/SIGNAL HORN

Sounder part shall not be facing the sky.



### · HEAVY-DUTY & EXPLOSION PROOF SIGNALINGS

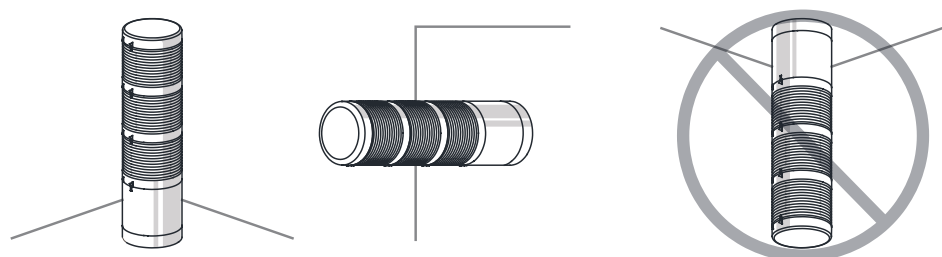
Sounder part shall not be facing the sky.



### · SIGNAL TOWER LIGHTS

※ For products with a protection rating of less than IPX4, please install it vertically.

Power cord inlet part shall not be facing the sky.







For your safety

Specification and dimensions listed in this catalogue subject to change without notice for product quality improvement.  
The newest product information is available on our website.(www.qlight.com)  
Please read the instruction manual attached to the product carefully before installation and use.

*Korea Corporation Qlight Co., Ltd. www.qlight.com | trade@qlight.com*

Head Office | Suite #1510, STX-V Tower, 128 Gasan Digital 1-ro, Geumcheon-gu, Seoul, 08507, South Korea

Tel: +82-2-2679-6152 Fax: +82-2-2679-6154

Factory(Gimhae Production Headquarters) | 185-25, Mukbang-ro, Sangdong-myeon, Gimhae-si, Gyeongsangnam-do, 50805, South Korea

Tel: +82-55-328-1111

Overseas Sales Department | Qlight Building, 704 Nakdong-daero, Sasang-gu, Busan 47044, South Korea Tel: +82-51-620-4100

Busan Business Center | Qlight Building, 704 Nakdong-daero, Sasang-gu, Busan 47044, South Korea Tel: +82-51-245-0017

---

*China Corporation SHANGHAI Qlight Electronic Co., Ltd. www.qlight.com www.qlightcn.com | qlightcn@qlight.com*

Sales Corporation (Shanghai) | Room 333 Building B, No.11, Lane 450, Zhenda Road, Baoshan District, Shanghai, China

Tel: +86-21-6651-7100 Fax: +86-21-6315-3929

Manufacturing Corporation (Qidong) | No.33, Haiyan Road, Qidong High-tech Industrial Development Zone, Qidong, Jiangsu Province, China

Tel: +86-513-8384-9999 Fax: +86-513-8384-9910

**Qlightec**

Innovation in Alarm & Signal

Product Operation Inquiry / Customer Support +82-51-620-4100

You can expect prompt service if you have exact information such as model name, symptom, telephone number and address.

※ ALL PRODUCT, PRODUCT SPECIFICATIONS AND DATA ARE SUBJECT TO CHANGE WITHOUT NOTICE TO IMPROVE RELIABILITY, FUNCTION OR DESIGN OR OTHERWISE.

Head office : Suite #1510, STX-V Tower, 128 Gasan digital 1-ro, Geumcheon-gu, Seoul, Korea (Postal Code : 08507)

Factory : 185-25, Mukbang-Ro, Sangdong-Myeon, Gimhae-Si, Gyeongsangnam-Do, Korea (Postal Code : 50805)

www.qlight.com

EN - SJD - 2606A