

Wall Mount Electronic Sounder with Pre-Recorded Special Warning Sound

QWH Series

Wall mount electronic sounder that offers 31 pre-recorded warning sounds and 31 user selected sound messages



- Bit input offers 5 channels with 6 sound outputs
- Binary input offers 31 sound outputs and SD Card (MP3) combination
- High volume type (buzzer type)

PRODUCT SPECIFICATION

QWH35(SD) | QWH50(SD)
QWH35T(SD) | QWH50T(SD)
QWH35B | QWH35BT

Materials Horn-PC+ABS, Housing-PC+ABS

Ambient operating temperature

-30°C to +50°C(Standard type/buzzer type)

-50°C to +50°C(Low temperature type only DC)

-20°C to +50°C(SD Card type)

Cable entry M20

Protection rating IP66

Compliant with RoHS directive

- Signal fit for the specific environment and condition
- Options to select between 31 special warning sounds included in the pre-recorded sound type and SD Card(MP3) type
- Volume adjustment and sound selection switches located inside the unit. SD Card in the unit offers convenient operation.
- SD Card type allows the user to input the proper voice messages for specific operating conditions.
- Built-in special alarm type standard model and MP3(SDcard)
- Supports Binary Input Mode and Bit Input Mode for SD card
- * Bit Input Mode can select and play 5 sounds from No. 1 to No. 5 on MP3 files of SDcard
- Tightly sealed structure that blocks water and dust with IP66 protection rating suitable for outdoor installation
- QWH35T, QWH35TSD, QWH50T, QWH50TSD allow for easy wiring with separate terminal box (Built-in terminal block for wiring inside product)
- High-volume buzzer output(QWH35B,QWH35BT)
- Support for CAN communication type products (Customization : QWH35, QWH35T)

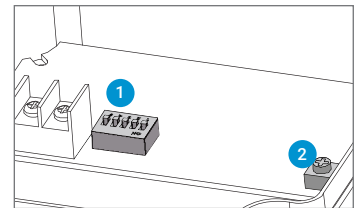
Sound Selection and Volume Adjustment Instructions

QWH Series has control switches inside the unit for sound selection and volume adjustment. You can play customized sound message(MP3) with SD Card.

QWH Series Product Category

QWH35(T)	Standard pre-recorded sound type
QWH35(T)SD	MP3(SD Card) type
QWH50(T)	Standard pre-recorded sound type, high volume output
QWH35(T)SD	MP3(SD Card) type, high volume output
QWH35B(T)	High volume type

Pre-recorded sound type



- 1 Sound selection switch
- 2 Volume

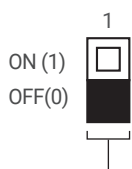
The input method of built-in sound type

	1	2	3	4	5
ON	<input type="checkbox"/>	<input type="checkbox"/>	<input type="checkbox"/>	<input type="checkbox"/>	<input type="checkbox"/>
OFF	<input type="checkbox"/>	<input type="checkbox"/>	<input type="checkbox"/>	<input type="checkbox"/>	<input type="checkbox"/>
No.	1	2	3	4	5
0	0	0	0	0	0
1	0	0	0	0	1
2	0	0	0	1	0
:	:	:	:	:	:
31	1	1	1	1	1

Select from 31 pre-recorded output sound options by using a combination of the 5 channel input switches. Selecting one sound by combining 5 switches is binary input method The binary input method allows you to express each of the 31 alarm sound signals with a "0" or "1" by switching the 5 channels on and off as shown in the table.

Sound selection instruction for SD Card type

- You can select between pre-recorded sound mode and SD Card sound (MP3) mode with the SOUND selection switch.



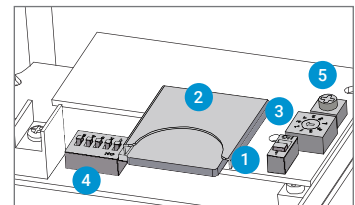
- 31 built-in alarm sounds and special sound
- Supports SD Cards for external sound (MP3)
- Binary Input: 31Ch
- Bit Input: 5Ch(SD Card only)
- Please refer to [Sound pattern and combination for special alarm product] on this catalogue for detailed settings.

Selection between pre-recorded sound mode and SD Card sound mode

0: pre-recorded sound mode

1: SD Card sound mode

SD Card (MP3) type



- 1 Sound setting switch
- 2 MP3 playable SD Card slot
- 3 Play mode setting switch
- 4 Sound selection switch
- 5 Volume

Wall Mount Electronic Sounder with Pre-Recorded Special Warning Sound

QWH Series



QWH35 Series
(Max.115dB)



QWH50 Series
(Max.123dB)

QWH35 Wall Mount Electronic Sounder with Pre-Recorded Special Warning Sound, Max.115dB

Model number	Voltage	Current	Sound pattern and volume	Certificates	Weight
QWH35 Built-in standard sound	DC12V-24V	Max.1.15A	·Bit Input: 5Ch (SD Card) ·Binary Input: 31Ch ·Warning sounds: Max.115dB (Based on Ch31) ·MP3: Max.112dB	CE	0.90kg
	AC110V-220V	Max.300mA			
QWH35SD MP3	DC12V-24V	Max.1.15A		UL	1.00kg
	AC110V-220V	Max.300mA			

※ UL Listed: DC12-24V

QWH50 Wall Mount Electronic Sounder with Pre-Recorded Special Warning Sound, Max.123dB

Model number	Voltage	Current	Sound pattern and volume	Certificates	Weight
QWH50 Built-in standard sound	DC12V-24V	Max.3.6A	·Bit Input: 5Ch (SD Card) ·Binary Input: 31Ch ·Warning sounds: Max.123dB (Based on Ch16) ·MP3: Max.115dB	CE	2.70kg
	AC110V-220V	Max.730mA			
QWH35SD MP3	DC12V-24V	Max.3.6A		UL	2.80kg
	AC110V-220V	Max.730mA			

※ DC type model has a free-voltage range of 10V-30V.

※ AC type model has a free-voltage range of 100V-240V.

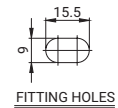
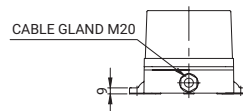
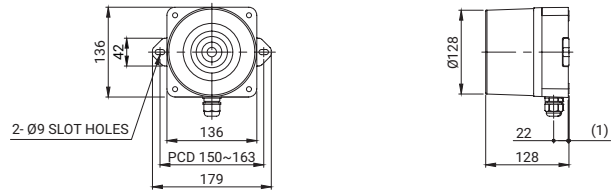
※ UL Listed: DC12-24V

※ When playing MP3 files, there may be difference of volume depending on user's audio file type.

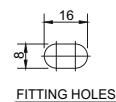
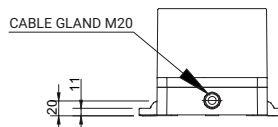
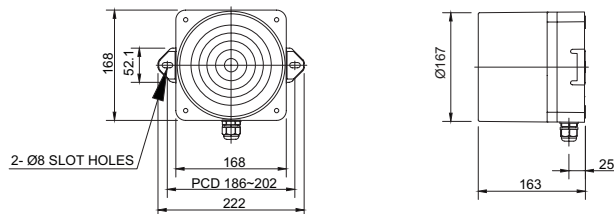
Technical Diagram

Units: mm

·QWH35/QWH35SD



·QWH50/QWH50SD

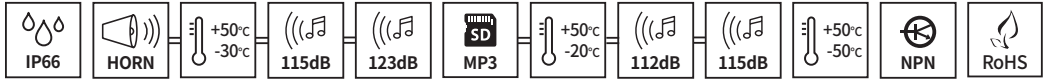


Customization

- External threading of signal line for sound selection (Model number: -LC)
- Support for CAN communication type products (QWH35 DC only)
- Cold-resistance type (DC type only)

Wiring Instructions

QWH50	110/220	LC	INSD
[Model number]	[Voltage]	[sound selection]	[Including SD card]
QWH35 QWH35SD QWH50 QWH50SD	12/24-DC12V-24V 110/220-AC110V-220V	None-Standard type LC Type-Uses external contact	None-Without SD card INSD-Including SD card



QWH35T Wall Mount Electronic Sounder with Pre-Recorded Special Warning Sound, Max.115dB

Model number	Voltage	Current	Sound pattern and volume	Certificates	Weight
QWH35T Built-in standard sound	DC12V-24V	Max.1.15A	·Bit Input: 5Ch (SD Card) ·Binary Input: 31Ch ·Warning sounds: Max.115dB (Based on Ch31) ·MP3: Max.112dB		1.10kg
	AC110V-220V	Max.300mA			
QWH35TSD MP3	DC12V-24V	Max.1.15A			
	AC110V-220V	Max.300mA			

※ UL Listed: DC12-24V

QWH50T Wall Mount Electronic Sounder with Pre-Recorded Special Warning Sound, Max.123dB

Model number	Voltage	Current	Sound pattern and volume	Certificates	Weight
QWH50T Built-in standard sound	DC12V-24V	Max.3.6A	·Bit Input: 5Ch (SD Card) ·Binary Input: 31Ch ·Warning sounds: Max.123dB (Based on Ch16) ·MP3: Max.115dB		3.00kg
	AC110V-220V	Max.730mA			
QWH50TSD MP3	DC12V-24V	Max.3.6A			
	AC110V-220V	Max.730mA			

※ DC type model has a free-voltage range of 10V-30V.

※ AC type model has a free-voltage range of 100V-240V.

※ UL Listed: DC12-24V

※ When playing MP3 files, there may be difference of volume depending on user's audio file type.

Allows for easy wiring with terminal box and 2 cable gland equipped



QWH35T Series (Max.115dB)

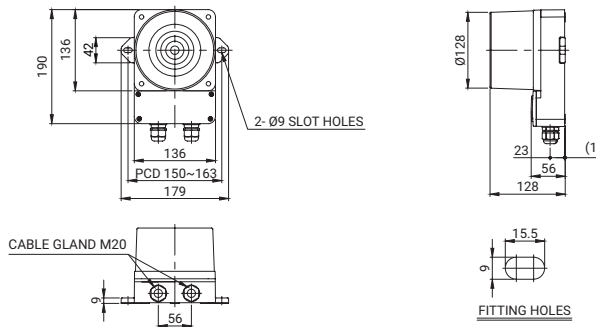


QWH50T Series (Max.123dB)

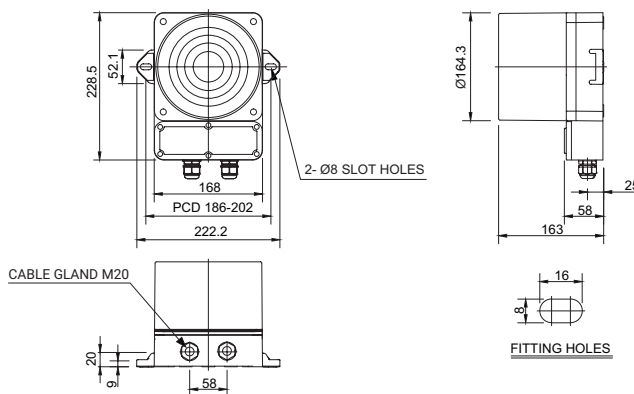
Technical Diagram

Units: mm

·QWH35T / QWH35TSD



·QWH50T / QWH50TSD



Ordering Specification

QWH35T	-	110/220	-	LC	-	INSD
[Model number]		[Voltage]		[sound selection]		[Including SD card]
QWH35T QWH35TSD QWH50T QWH50TSD		12/24-DC12V-24V 110/220-AC110V-220V		None-Standard type LC Type-Uses external contact		None-Without SD card INSD-Including SD card

Customization

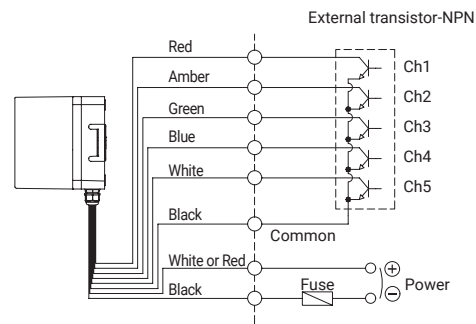
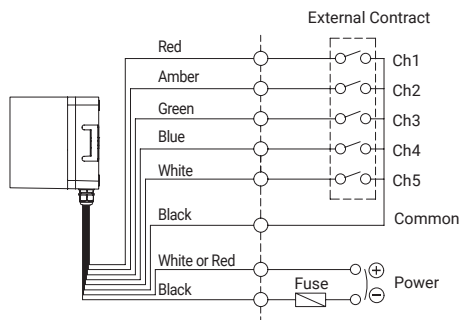
- External threading of signal line for sound selection(Model number: -LC)
- Support for CAN communication type products(QWH35T DC only)
- Cold-resistance type(DC type only)

QWH Series

Wiring Instructions

- Standard specification: Uses internal switches
- Customization: Uses external contact

- QWH35 / QWH50-DC/AC
- QWH35T / QWH50T-DC/AC



- Channel selection, 5 sounds available with Bit input and 31 sound available with Binary input
- DC type : Black output line is negative(-)
- ※ Please refer to [Sound pattern and combination for multifunctional product] on this catalogue for channel input setting(Wiring instruction is replaced to channel selection switch).